

# ITT

BCP3PH

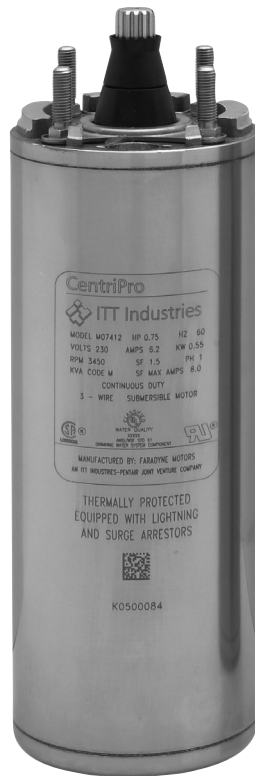
## Residential Water Systems

# CentriPro

## Three Phase 4" Motors

### 1/2-7 1/2 HP

60 Hertz, 3450 RPM



### FEATURES

- 304 SS casing and end bells for corrosion resistance
- Kingsbury type, 3 shoe, thrust bearing, see chart for ratings
- Stainless steel, 17-4 PH splined shaft
- Removable, replaceable motor leads, 48" (1/2 - 2 HP) or 100" (3 - 7.5 HP)
- Water lubricated with filter/check valve to maintain fluid fill
- Lightning and surge protection built-in on 200 V and 230 V models.
- Magnetic starter with Class 10, quick-trip overload protection required.
- U.L. 778 Recognized
- CSA Certified
- NEMA Mounting Dimensions



Tested by CSA to  
CSA and UL Standards

CentriPro is a brand of ITT Corporation.

[www.centripro.com](http://www.centripro.com)

*Engineered for life*

# CentriPro

## Three Phase 4" Motors

### APPLICATIONS

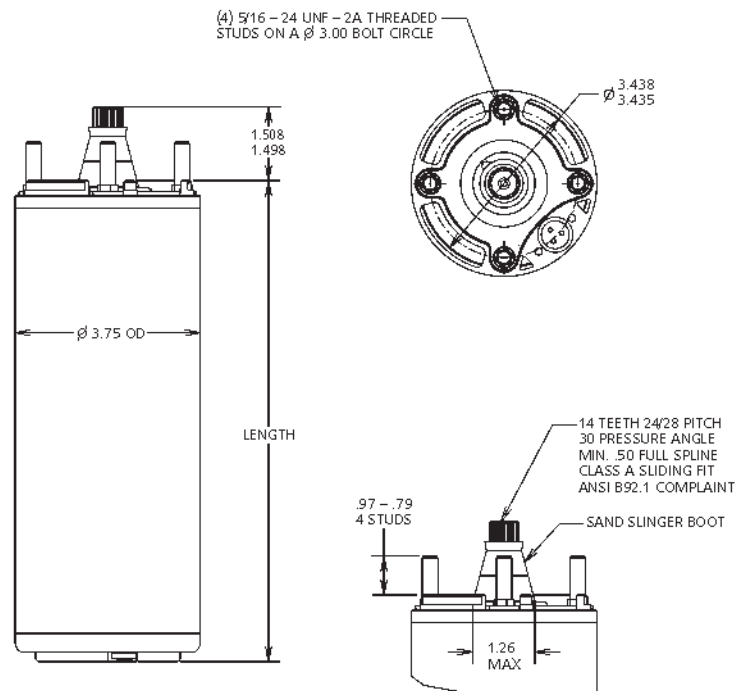
- 4" motors are designed and sized for installation in 4" diameter or larger water wells.

### SPECIFICATIONS

- **Temperature Rating:** Rated for continuous duty in water of 86° F (30° C) maximum.
- **Cooling:** Proper motor cooling requires a water velocity past the motor of .25/sec which translates into 1.2 gpm in a 4" casing, 7 gpm in a 5" casing and 13 gpm in a 6" casing.
- Lightning arrestors built-in on 200V and 230V motors.
- **Power Lead:** Removable and replaceable motor leads are held in place by two (2) stainless steel screws for positive compression and sealing. Leads are furnished with motors and are also available as replacement parts.
- **Rotation:** CCW, counterclockwise as you face the top or shaft end of the motor.
- **Starter:** Three phase units require a magnetic starter with three leg, Class 10, quick trip overload protection. Starters with built-in overloads or (3) heaters are ordered separately. See Class 16 and Class 14 Starters in catalog Electrical Section.

### Materials of Construction

Part	Material
Motor (Stator) Shell	304 SS
Shaft Extension	17-4 PH hardened SS
Motor End Bells	304 SS Castings
Upper and Lower Radial Bearings	Carbon Sleeve
Thrust Bearing	Kingsbury Type
Overload Protection	Built-in, Auto Reset
Lead Wire	XLPE
Lead Potting	Epoxy
Lead Connector	18-8 SS
Fasteners	18-8 SS
Sand Slinger / Slinger Seat	NBR / Delrin



### Three Phase, 4" Motor - Electrical Data, 60 Hertz, 3450 RPM

CentriPro #	Red Jacket #	HP	kW	Volts	SF	Full Load		Service Factor		Locked Rotor Amps	Line - Line Resistance	
						Amps	Watts	Amps	Watts			
M05430	50C323	0.5	0.37	200	1.6							
M07430	75C323	0.75	0.55		1.5	3.8	812	4.5	1140	32	2.6 - 3.0	
M10430	100C323	1	0.75		1.4	4.6	1150	5.5	1500	29	3.4 - 3.9	
M15430	150C323	1.5	1.1		1.3	6.3	1560	7.2	1950	40	1.9 - 2.5	
M20430	200C323	2	1.5		1.25	7.5	2015	8.8	2490	51	1.4 - 2.0	
M30430	300C323	3	2.2		1.15	10.9	2890	12.0	3290	71	0.9 - 1.3	
M50430	500C323	5	3.7		1.15	18.3	4850	20.2	5515	113	0.4 - 0.8	
M75430	750C323	7.5	5.5		1.15	27.0	7600	30.0	8800	165	0.5 - 0.6	
M05432	50C313	0.5	0.37	230	1.6							
M07432	75C313	0.75	0.55		1.5							
M10432	100C313	1	0.75		1.4	4.0	1090	4.7	1450	26.1	4.1 - 5.1	
M15432	150C313	1.5	1.1		1.3	5.2	1490	6.1	1930	32.4	2.8 - 3.4	
M20432	200C313	2	1.5		1.25	6.5	1990	7.6	2450	44	1.8 - 2.4	
M30432	300C313	3	2.2		1.15	9.2	2880	10.1	3280	58.9	1.3 - 1.7	
M50432	500C313	5	3.7		1.15	15.7	4925	17.5	5650	93	.85 - 1.25	
M75432	750C313	7.5	5.5		1.15	24	7480	26.4	8570	140	.55 - .85	
M05434	50C353	0.5	0.37	460	1.6							
M75434	75C353	0.75	0.55		1.5							
M10434	100C353	1	0.75		1.4	2.2	1145	2.5	1505	13	17.8 - 18.8	
M15434	150C353	1.5	1.1		1.3	2.8	1560	3.2	1980	16.3	12.3 - 13.1	
M20434	200C353	2	1.5		1.25	3.3	2018	3.8	2470	23	8.0 - 8.67	
M30434	300C353	3	2.2		1.15	4.8	2920	5.3	3320	30	5.9 - 6.5	
M50434	500C353	5	3.7		1.15	7.6	4810	8.5	5530	48	3.58 - 4.00	
M75434	750C353	7.5	5.5		1.15	12.2	7400	13.5	8560	87	1.9 - 2.3	
M15437	150C363	1.5	1.1	575	1.3	2.0	1520	2.4	1950	11.5	19.8 - 20.6	
M20437	200C363	2	1.5		1.25	2.7	1610	3.3	2400	21	9.4 - 9.7	
M30437	300C363	3	2.2		1.15	3.7	2850	4.1	3240	21.1	9.4 - 9.7	
M50437	500C363	5	3.7		1.15	7.0	5080	7.6	5750	55	3.6 - 4.2	
M75437	750C363	7.5	5.5		1.15	9.1	7260	10.0	8310	55	3.6 - 4.2	

### Dimensions and Weights

HP	Volts	Length		Weight		
		In.	MM	Lb.	Kg.	
.5	200	10.8	275	22	9.7	
.75		10.8	275	22	9.7	
1		11.7	297	23	10.4	
1.5		11.7	297	23	10.4	
2		230	13.8	351	28	12.7
3			460	15.3	389	32
5		21.7		550	55	24.9
7.5		27.7		703	70	31.8
10	TBD	TBD		TBD	TBD	
1.5	575	11.7	297	23	10.4	
2		15.3	389	32	14.5	
3		15.3	389	32	14.5	
5		27.7	703	70	31.8	
7.5		27.7	703	70	31.8	

## Efficiency, Thrust Rating, Fuse/Circuit Breaker, KVA Codes

Motor Order No.		HP	Volts	Efficiency %		Thrust Rating	KVA Code	Standard Fuse		DE-TD Fuses		Circuit Breaker		
Centri-Pro	Red Jacket			F.L.	S.F.			Meets NEC based FLA	Max. Value based SFA	Meets NEC based FLA	Max. Value based SFA	Meets NEC based FLA	Max. Value based SFA	
M05430	50C323	0.5	200			700 #								
M07430	75C323	0.75		69	74		R	15	20	10	15	10	20	
M10430	100C323	1		66	70		M	15	20	10	10	10	15	
M15430	150C323	1.5		72	74	L	20	25	10	15	15	20		
M20430	200C323	2		74	75	900 #	K	25	30	15	20	20	25	
M30430	300C323	3		77	77		K	35	40	20	25	30	35	
M50430	500C323	5		76	76	1500 #	J	60	70	35	40	50	60	
M75430	750C323	7.5		74	74		J	80	90	50	60	70	80	
M05432	50C313	0.5	230			700 #								
M07432	75C313	0.75												
M10432	100C313	1		69	72		M	10	15	6	10	10	15	
M15432	150C313	1.5		75	76	K	15	20	10	15	15	15		
M20432	200C313	2		75	75	900 #	K	15	25	15	15	20	20	
M30432	300C313	3		77	77		J	25	35	15	20	25	30	
M50432	500C313	5		76	76	1500 #	J	45	60	30	35	40	45	
M75432	750C313	7.5		75	75		J	70	80	45	50	60	70	
M05434	50C353	0.5	460			700 #								
M07434	75C353	0.75												
M10434	100C353	1		65	69		M	6	10	3	6	6	10	
M15434	150C353	1.5		72	73	K	10	10	6	6	6	10		
M20434	200C353	2		74	75	900 #	L	15	15	6	10	10	10	
M30434	300C353	3		76	77		J	15	20	10	10	15	15	
M50434	500C353	5		77	77	1500 #	J	25	30	15	20	20	20	
M75434	750C353	7.5		76	76		L	40	50	25	30	35	40	
M100434	1000C353	10												
M15437	150C363	1.5	575	73	74	700 #	J	6	10	3	6	6	10	
M20437	200C363	2		78	78	900 #	M	10	10	6	6	10	10	
M30437	300C363	3		78	78		J	10	15	10	10	10	15	
M50437	500C363	5		74	75	1500 #	M	20	25	15	15	20	20	
M75437	750C363	7.5		77	77		J	25	35	20	20	25	30	



ITT  
 2881 East Bayard Street, Seneca Falls, NY 13148 • Phone: (315) 568-7123 • Fax: (315) 568-7973  
[www.centripro.com](http://www.centripro.com)

CentriPro is a registered trademark of ITT Corporation. ITT, the Engineered Blocks Symbol and Engineered for Life are registered trademarks of ITT Manufacturing Enterprises, Inc.

Copyright © 2009 ITT Corporation BCP3PH R4 July, 2009 Printed in U.S.A.  
 SPECIFICATIONS ARE SUBJECT TO CHANGE WITHOUT NOTICE.

