



50 Hz Shallow Well Jet Pumps 1/2 and 1 HP

MODEL

JSZ +

J5SZ and J10SZ

APPLICATIONS

Specifically designed for:

- Homes
- Cottages
- Booster service

SPECIFICATIONS

Pump:

- Pipe connections:
 - 1 1/4" NPT suction
 - 1" NPT discharge.
- Pressure switch:
 - AS4FX preset (30-50 PSI).

Motor:

- NEMA standard.
- 50 Hz
- 1/2 and 1 1/2 HP
- 115/230 Volt
- Capacitor start
- Single phase
- 2850 RPM
- Built-in overload with automatic reset.
- Stainless steel shaft.
- Rotation: clockwise when viewed from motor end.
- UL778 listed.

Maximum temperature: 140°F.

FEATURES

■ **Compact:** Design has an integral shallow well adapter built into the casing, which eliminates the need for a separate shallow well adapter.

■ **Serviceable:**

- Back pullout design allows disassembly of pump for service without disturbing piping.
- Two compartment motor for easy access to motor wiring and replaceable components.
- Nozzle clean out plug in pump case.
- Corrosion resistant, engineered plastic tubing and fittings are easily removed for cleaning. Premium O-ring design fittings need only be hand tight to seal.

■ **Impeller:** F.D.A. compliant, glass filled Noryl®. Corrosion and abrasion resistant.

■ **Diffuser (Guidevane):**

Bolt down diffuser provides positive alignment with impeller. Diffuser also has stainless wear ring for extended performance in abrasive conditions. F.D.A. compliant, injection molded, food grade, glass filled Lexan® for durability and abrasion resistance.

■ **Tubing and Fittings:**

F.D.A. compliant engineered plastic is corrosion and U.V. resistant.

■ **Powered for Continuous Operation:**

Pump ratings are within the motor manufacturer's recommended working limits. Can be operated continuously without damage.

■ **Corrosion Resistant:**

Electro-coated paint process is applied inside and out, then baked on.

■ **Protected Mechanical Seal:**

Special diaphragm design retains water in the casing at all times to ensure the mechanical seal can never run dry.

■ **Excellent Air Handling Ability:**

After initial priming the pump has the ability to re-prime itself even when air gets into the system. Pumping resumes once the water level rises above the foot valve.

SYSTEM COMPONENTS

■ **Basic Pump Unit:**

Includes pump with integral shallow well jet (nozzle and venturi), motor, pressure switch and tubing.

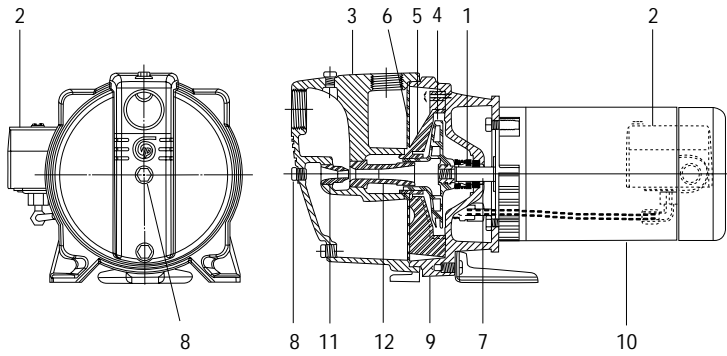
AGENCY LISTINGS



Underwriters Laboratories

Goulds Pumps is ISO 9001 Registered.





MODEL

JSZ +
J5SZ and J10SZ

COMPONENTS

Item No.	Description
1	Mechanical seal
2	Pressure switch
3	Casing
4	Impeller
5	Diffuser (Guidevane)
6	Diaphragm
7	Stainless steel shaft
8	Nozzle clean-out plug
9	Motor adapter
10	Motor
11	Nozzle
12	Venturi (diffuser)

DIMENSIONS AND WEIGHTS

Model	J5SZ	J10SZ
Wt. (lbs.)	43	50
Length	17 ⁷ / ₈	19 ⁵ / ₁₆
Width	9 ⁷ / ₈	
Height	8 ³ / ₄	
HP	1/2	1

PERFORMANCE RATINGS

Model	J5SZ					J10SZ					
Nozzle	AN019					AN022					
Venturi	AD3328					AD3336					
Total Suction Lift (ft.)	Discharge Pressure (PSI)					Discharge Pressure (PSI)					
	20	30	40	50	Max. Shut-Off (PSI)	20	30	40	50	Max. Shut-Off (PSI)	
	Gallons Per Minute						Gallons Per Minute				
5	11.6	11.1	7.3	4.4	71	19.3	19.3	16.3	11.4	76	
10	9.9	10.2	6.7	3.8	69	17.6	17.5	15.2	10.3	74	
15	8.3	8.5	6.1	3.4	66	15.2	15.1	13.8	8.9	72	
20	7.0	7.2	5.8	3.1	64	12.3	12.2	11.8	8.0	69	
25	5.2	5.9	5.3	2.9	63	9.4	9.4	9.4	6.8	66	

