

High Speed Door ASSA ABLOY HS8010P & ASSA ABLOY HS8020P

ASSA ABLOY Entrance Systems



EST. 1975

**UNITED STEEL
PRODUCTS, INC**

33-40 127th Place
Flushing NY 11368

P: (718) 478-5330 F: (718) 779-8258
www.UnitedSteelProducts.com

ASSA ABLOY

The global leader in
door opening solutions



Fast opening and closing speeds

Fast speeds improve operation and traffic flow while limiting air infiltration and reducing energy costs.

Tight seals

Weather tight seals around full door perimeter reduce energy loss and keep out dust, dirt and humidity.



Self-resetting

Door curtain is accident forgiving and can self-reset after an accidental impact.

Flexible door curtain

Flexible curtain with no rigid parts and soft bottom door edge helps to ensure safety for personnel and equipment.

Heavy-duty operation for interior and exterior applications

ASSA ABLOY HS8010P & ASSA ABLOY HS8020P high-speed doors are designed for exterior and interior openings in medium-sized heavy-duty operations. The ASSA ABLOY HS series doors feature a flexible door curtain for maximum safety, tight seals for protection against humidity, dust and dirt, fast speeds for improved traffic flow, and a unique direct drive system for smooth, consistent operation.



Safe and efficient operation

The ASSA ABLOY HS8010P & ASSA ABLOY HS8020P high-speed doors provide superior protection and improved efficiency for personnel and equipment. The flexible door curtain is designed without rigid components and features a soft bottom edge that yields when contacted, eliminating damage to products and protecting workers from injury. Fast openings speeds of up to 96" per second also ensure efficient operations in high traffic environments.

Superior sealing and wind resistance

When closed, the ASSA ABLOY HS8010P & ASSA ABLOY HS8020P seal tightly, maintaining interior temperatures, minimizing energy loss and keeping out dust, dirt and humidity. The patented, UHMW plastic side guides firmly grip the innovative zipper component that runs along the edge of the door panel, preventing air leakage and maintaining pleasant indoor conditions.

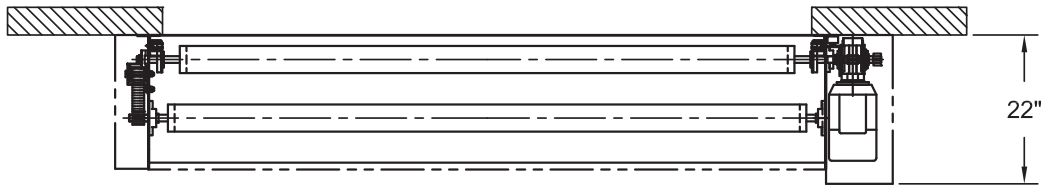
The ASSA ABLOY HS8020P is designed to withstand wind loads of up to class 5 (EN12424) with reinforced side guides for advanced durability. The unique direct drive system also ensures continuous operation and securely closes the door in high wind loads.

Accident forgiveness

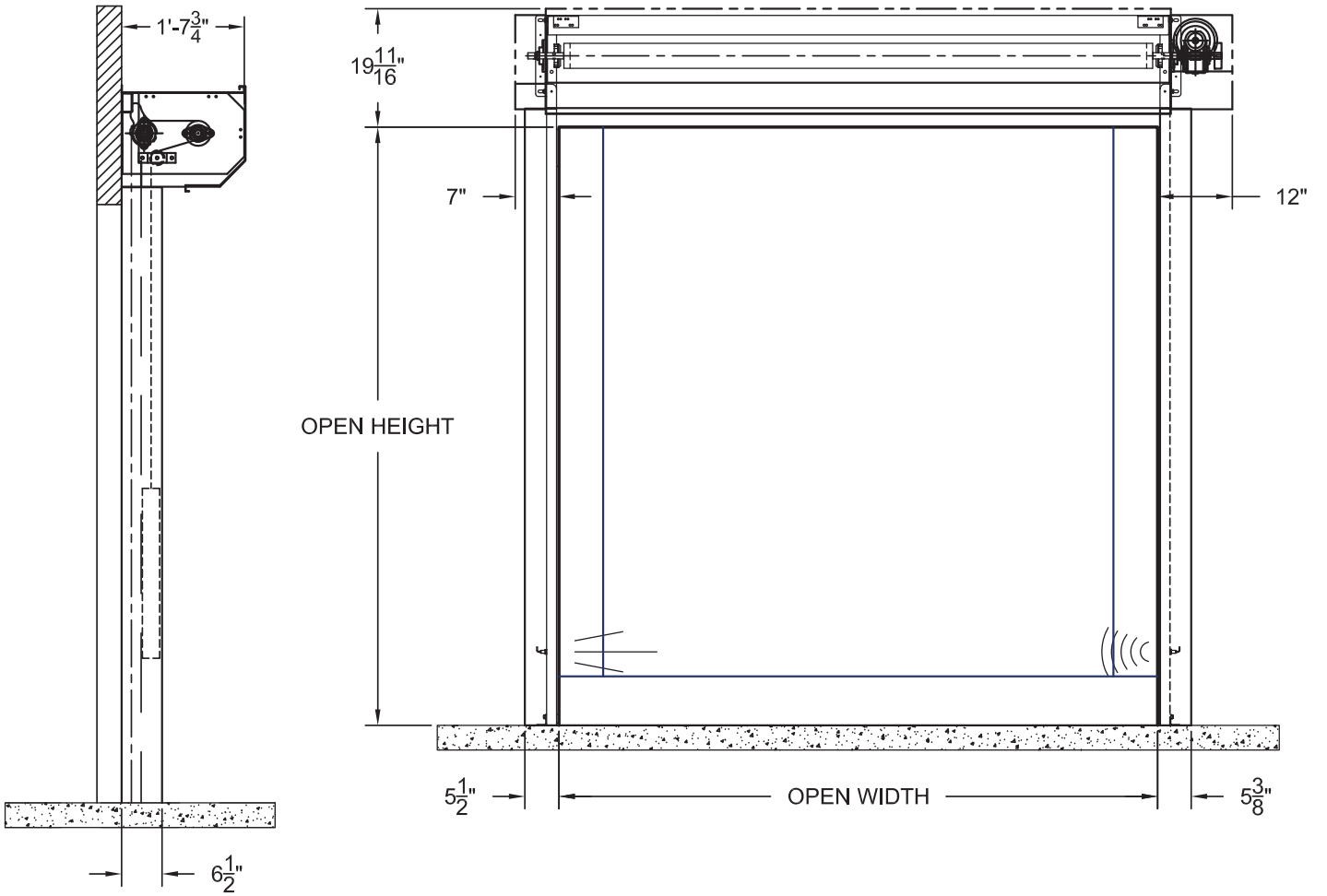
When a door faces demanding conditions, accidental collisions are almost inevitable. The ASSA ABLOY HS8010P & ASSA ABLOY HS8020P have been designed to withstand accidental impact and can be easily reset for continued operation. When hit, the door curtain break away with no damage or incident and resets automatically into the side guides. This reliable resetting feature eliminates down-time, keeping people and business moving.

Key advantages

- Energy and cost savings
- User safety
- Low total cost of ownership
- Increased operational efficiency
- No operational down time
- Regulatory compliance
- Use in extreme environments



CONTROL BOX
(22"x13"x7")

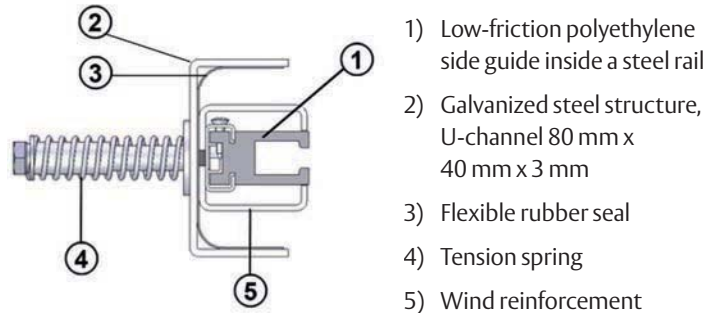


Technical information

Door dimensions Max Width 216 inches (5486 mm) Max Height 216 inches (5486 mm) Min Width 36 inches (915 mm) Min Height 84 inches (2134 mm)		Safety features Photo eye Standard through-beam photo eye Wireless safety system No coil cord	
Speeds Operating speed Up to 96 in/sec		Door components Side frames Galvanized steel structural channel side guides Inner side guides in Polyethylene (PE-UHMS 1000) Soft bottom edge No rigid components. Includes wireless reversing sensor Manual egress Hand crank	
Wind resistance Static wind load ASSA ABLOY HS8010P - up to 95 mph ASSA ABLOY HS8020P - up to 110 mph Static pressure load ASSA ABLOY HS8010P - up to 23 psf ASSA ABLOY HS8020P - up to 32 psf		Control and drive system ACS100 Standard, variable frequency drive with soft start / soft stop and encoder Input voltage 208V, 230V, 460V, 575V Motor 2.0-Hp, 3 phase, 50/60 Hz Protection NEMA 4, UL/cUL listed Warranty terms One year parts & labor	
Door panel PVC fabric panel Blue 27 oz/yd ² PVC curtain standard. Other optional colors include black, grey, green, red, orange, yellow and white. Vision section Optional, 15" or 31" tall full width clear vision section Windows Optional, 24" x 24" clear windows			

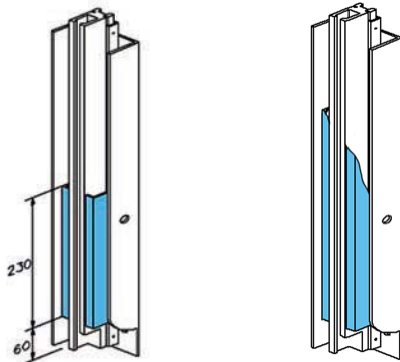
Side column

The side columns are part of the frame that also contains the header box. This frame is made of 3 mm thick galvanized steel tubes. The side columns are connected directly to the wall.



Wind resistance

A wind reinforcement is installed around the side guide to increase the wind load resistance and prevent the curtain from being pulled out of the side guides. The ASSA ABLOY HS8020P is designed for very high wind loads with flexible, spring-installed side guides.

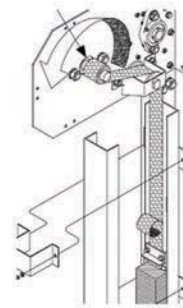


ASSA ABLOY HS8010P

ASSA ABLOY HS8020P

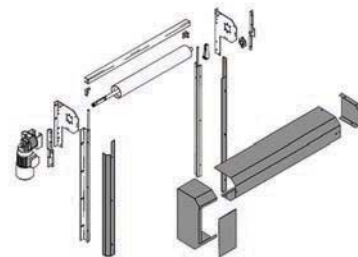
Fabric roll

The fabric roll is installed in the header box above the door curtain with a gear drive system that guides the door curtain up and down the tracks.



Header cover

An optional header box cover is available to enclose the fabric roll and/or the operator. Also the side columns can be equipped with covers.



Available curtain colors

 Signal yellow RAL 1003	 Moss green RAL 6005	 White RAL 9010
 Pure orange RAL 2004	 Light grey RAL 7035	 On request Other colors
 Flame red RAL 3000	 Chocolate brown RAL 8017	
 Ultramarine blue RAL 5002	 Jet black RAL 9005	

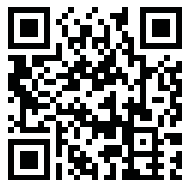
ASSA ABLOY Entrance Systems is a leading supplier of entrance automation solutions for efficient flow of goods and people. Building on the long-term success of the Besam, Albany and Megadoor brands, we offer our solutions under the ASSA ABLOY brand. Our products and services are dedicated to satisfying end-user needs for safe, secure, convenient and sustainable operations. ASSA ABLOY Entrance Systems is a division within ASSA ABLOY.

ASSA ABLOY

assaabloyentrance.us • assaabloyentrance.ca



©ASSA ABLOY Entrance Systems AB/HSSeries/USA-CA.EN-1.0/1708 Technical data subject to change without notice.



ASSA ABLOY Entrance Systems

Tel: 1-800-252-2691
info.na.aaes@assaabloy.com
assaabloyentrance.us • assaabloyentrance.ca



UNITED STEEL PRODUCTS, INC

33-40 127th Place
Flushing NY 11368

P: (718) 478-5330 F: (718) 779-8258
www.UnitedSteelProducts.com

Follow us:



Please enter ASSA ABLOY Entrance in the channel's search field.