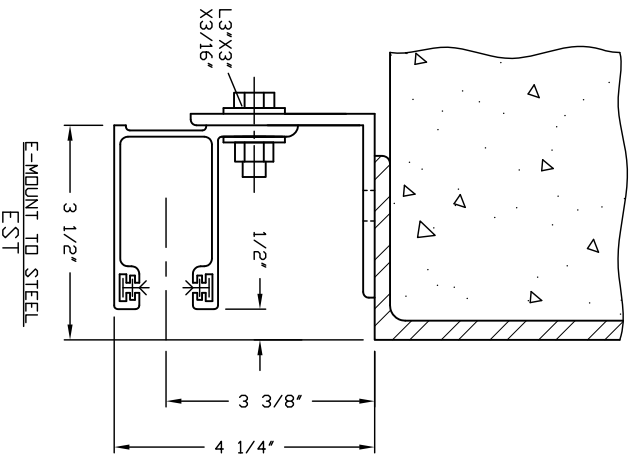
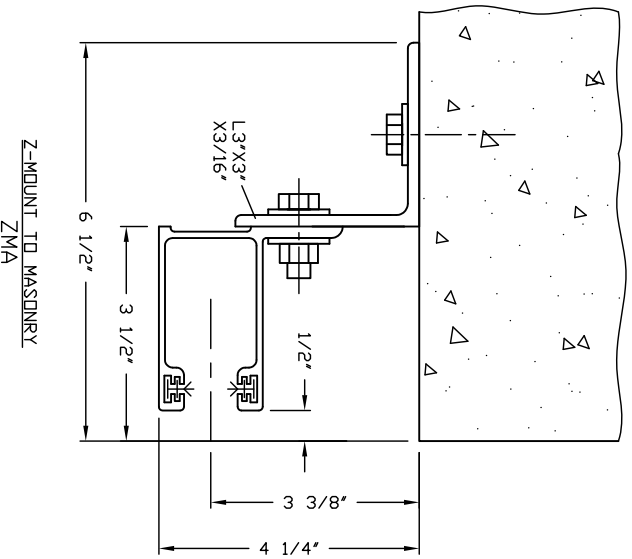


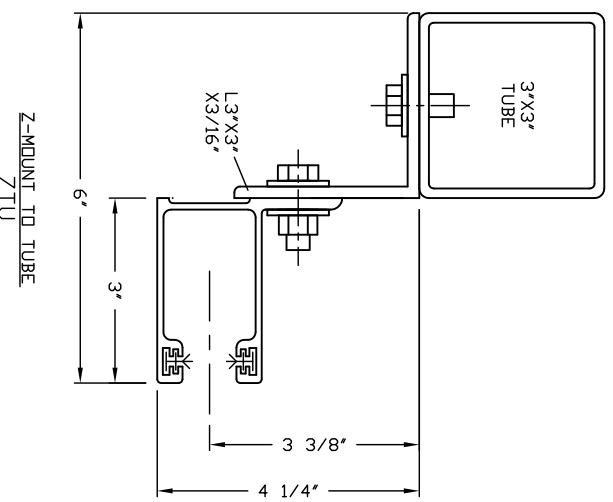
EST - E-MOUNT TO STEEL



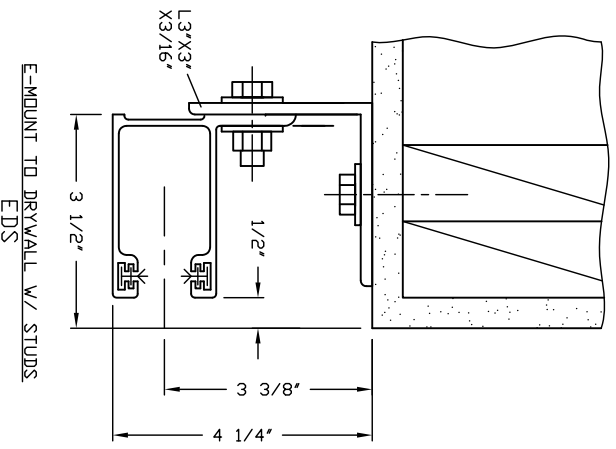
ZMA - Z-MOUNT TO MASONRY



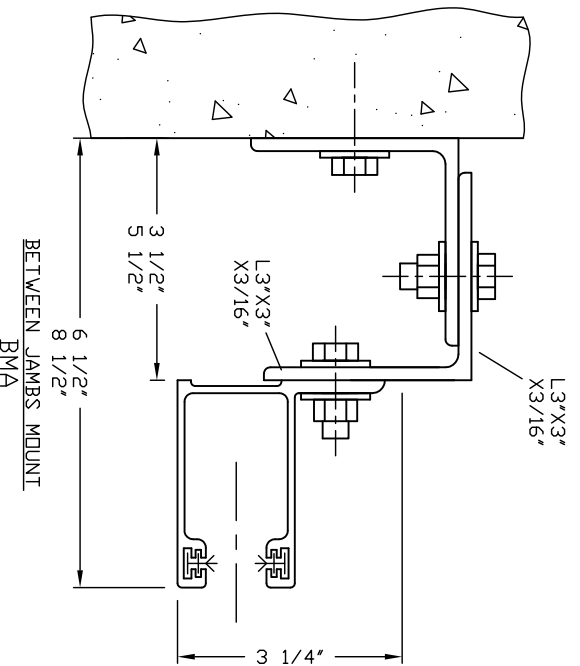
ZTU - Z-MOUNT TO TUBE



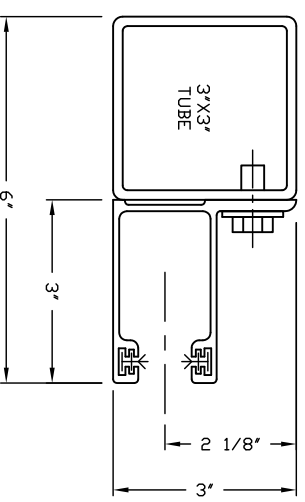
EDS - E-MOUNT TO DRYWALL



BMA - BETWEEN JAMBS



TUB - DIRECT TO TUBE



DIRECT TO TUBE TUB

STEEL SUPPORT ANGLE/TUBE SHOWN STANDARD GREY PRIME

TITLE: MODEL 390 - PCP-POLYCARBONATE PANEL

GRILLE

ALUMINUM GUIDE MOUNT OPTIONS

SCALE: -- DATE: 9/7/2012 DRAWN BY: R.N. CHECKED BY: A.F.

United Steel Products, Inc.

33-40 127th Place

Flushing NY 11368



DRAWING NO.