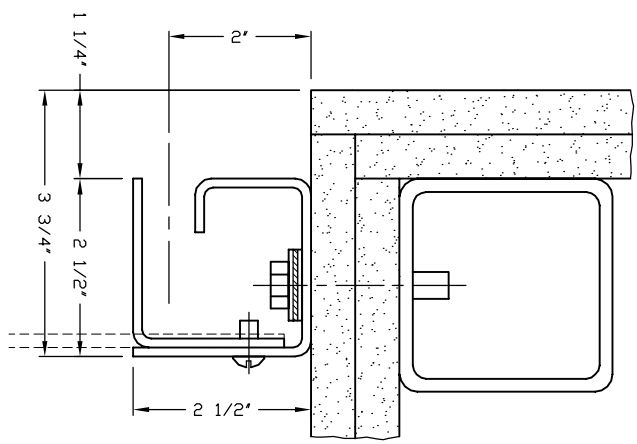
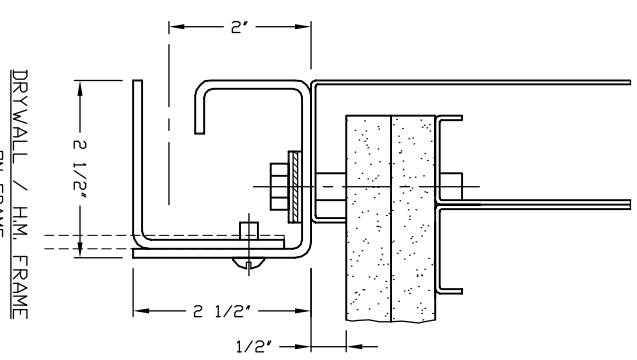


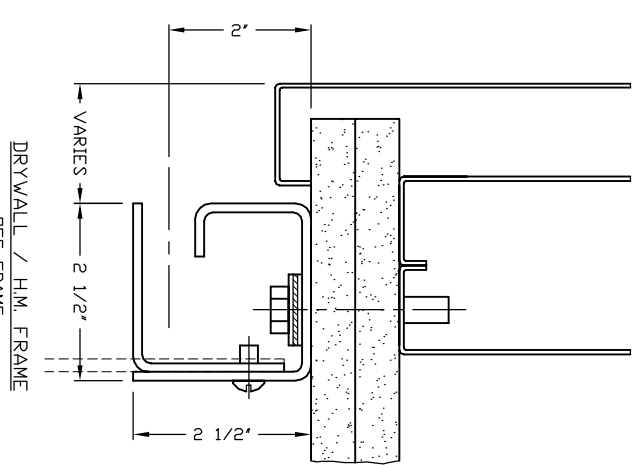
DRYWALL / METAL STUDS
SDS



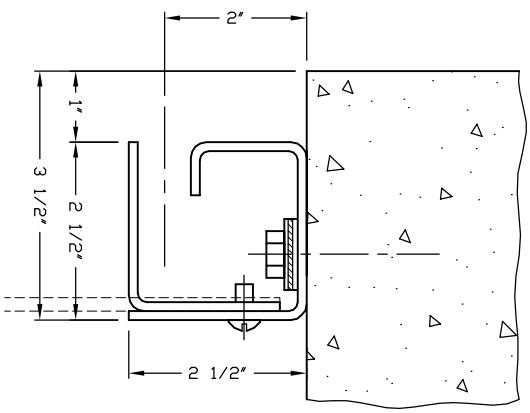
DRYWALL / TUBE IN WALL
SDT



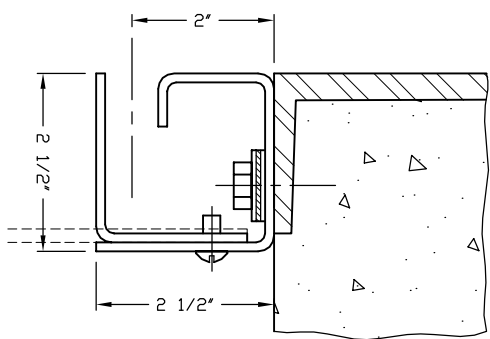
DRYWALL / HM FRAME
ON FRAME
SHM



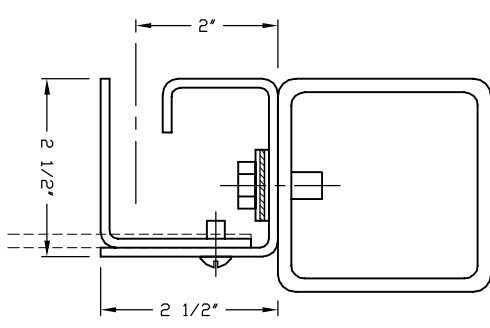
DRYWALL / HM FRAME
OFF FRAME
SDH



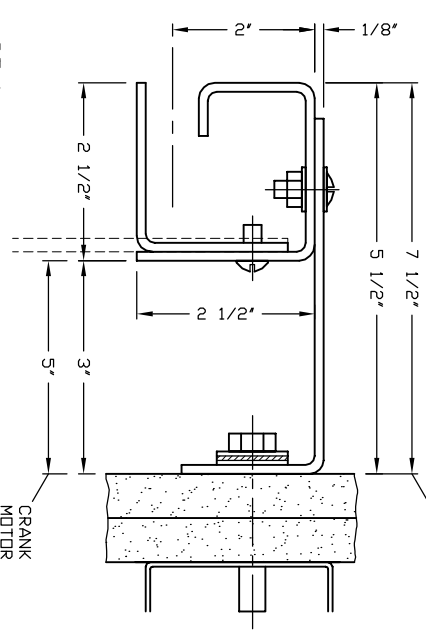
MASONRY WALL
MIN 1" SET BACK REQ'D PER
NFPA-80 BULLETIN FOR
FASTENER LOCATION
SMA



MASONRY / C-CHANNEL
SCM



DIRECT TO TUBE
STU



SBJ DRYWALL / STUDS / MASONRY
BETWEEN JAMBS

NOTE:
(2) 16 GAUGE STEEL STUDS
REQ'D ON DRYWALL MOUNTS
FLOOR TO STRUCTURE ABOVE

NOTE:
2 1/2" WIDE GUIDE FOR DOORS UP TO 8'-0" WIDE
3" WIDE GUIDE FOR DOORS UP TO 13'-6" WIDE
3 1/2" WIDE GUIDE FOR DOORS UP TO 16'-0" WIDE
GUIDE PROJECTION INCREASES TO 3" ON 3 1/2" GUIDE

TITLE: MODEL 750 - 2 1/2" BOX GUIDES U.L. FIRE RATED			
SCALE: --	DATE: 03/26/06	DRAWN BY: A.K.	CHECKED BY: P.V.
USP United Steel Products, Inc. 33-40 127th Place Flushing NY 11368		DRAWING NO.	