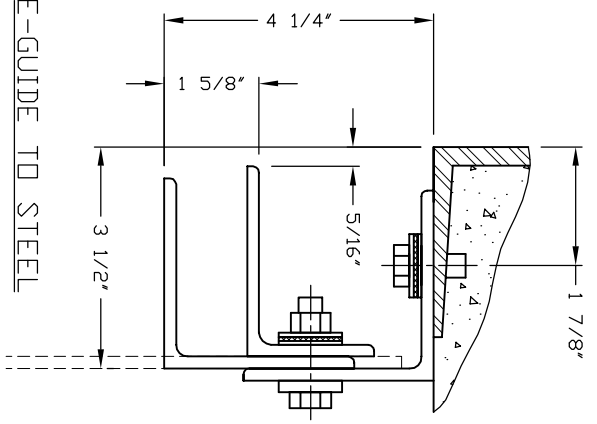


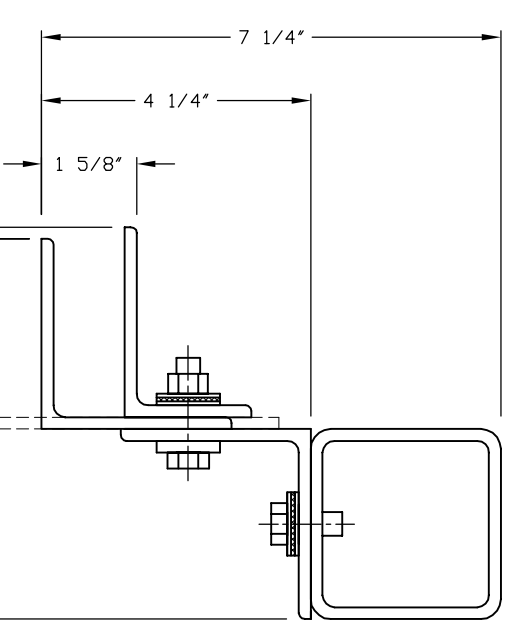
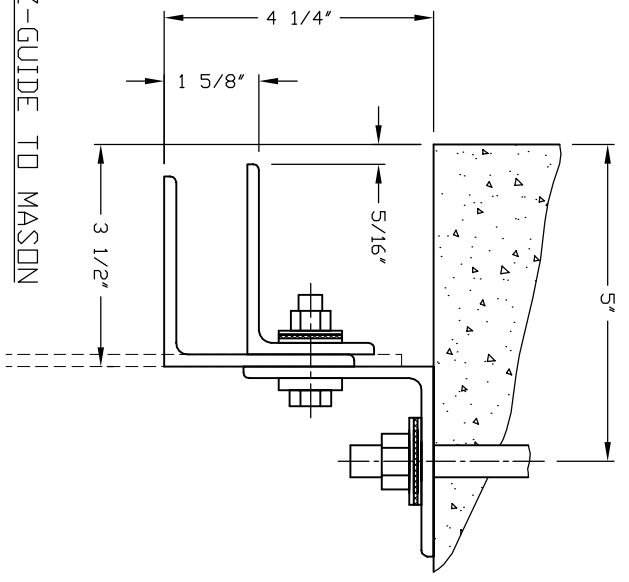
EST

E-GUIDE TO STEEL

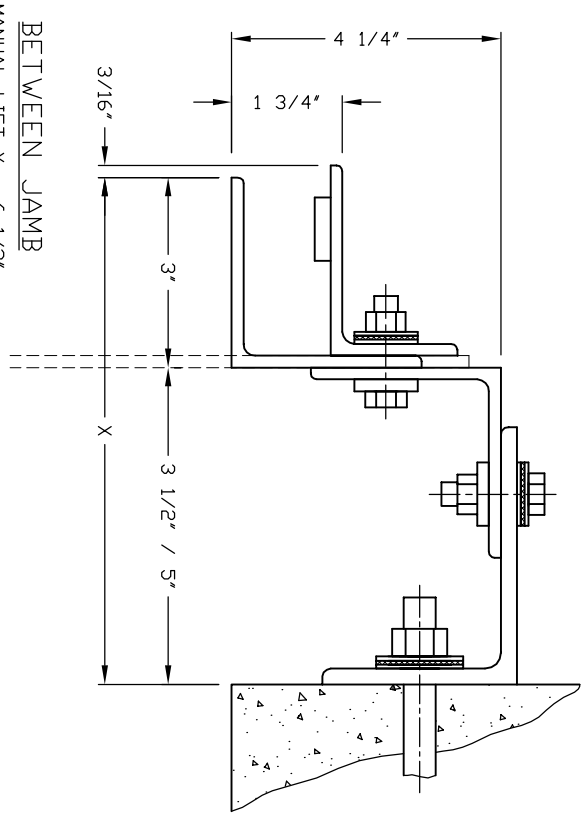


ZMA

Z-GUIDE TO MASON



BJ



BETWEEN JAMB
 MANUAL-LIFT X = 6 1/2"
 CHAIN, CRANK, MOTOR
 DN DRIVE SIDE X = 8"

ZTU

Z-GUIDE TO TUBE

TITLE: 3' FIRE DOOR GUIDE MOUNT OPTIONS			
* DOORS UP TO 13'-6" WIDE			
SCALE: --	DATE: 09/17/06	DRAWN BY: A.K.	CHECKED BY: P.V.
United Steel Products, Inc. 33-40 127th Place Flushing NY 11368		DRAWING NO.	

