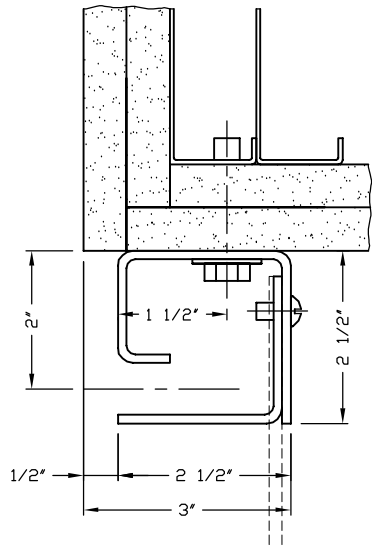
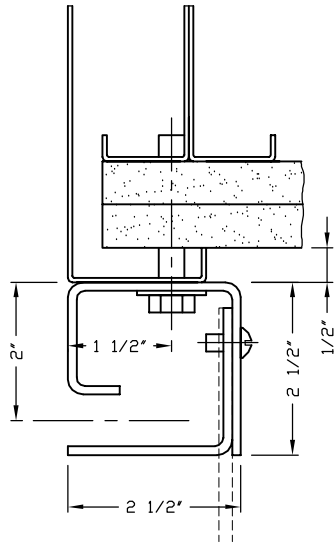


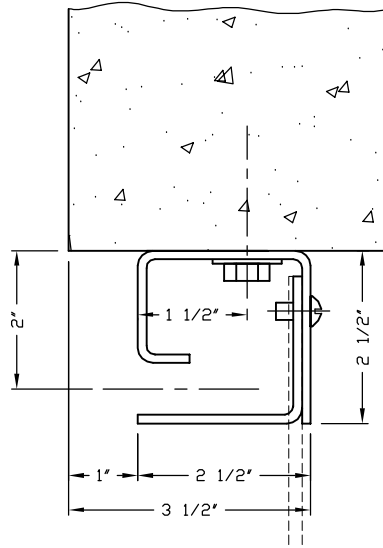
STEEL BOX GUIDES - 2 1/2" WIDE



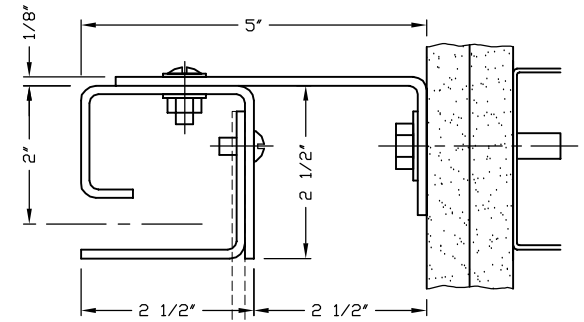
DRYWALL / METAL STUDS  
SDS



DRYWALL / H.M. FRAME  
SHM

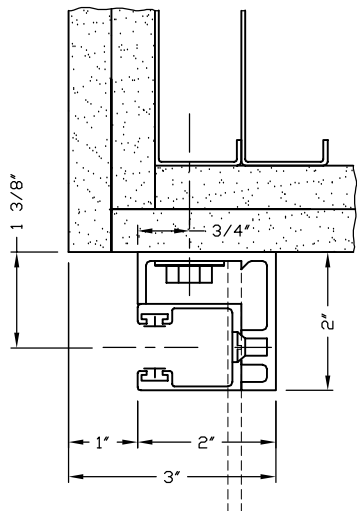


MASONRY WALL  
SMA

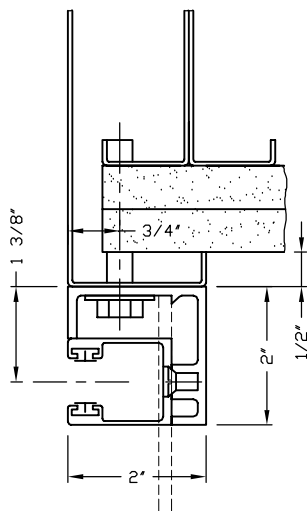


DRYWALL / STUDS / MASONRY  
BETWEEN JAMBS  
SBJ

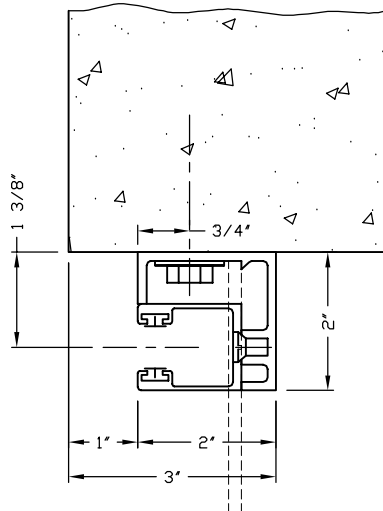
ALUMINUM GUIDES - 2" WIDE



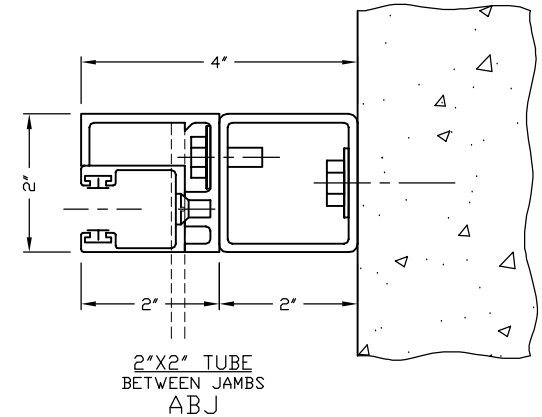
DRYWALL / METAL STUDS  
ADS



DRYWALL / H.M. FRAME  
AHM




MASONRY WALL  
AMA



2"X2" TUBE  
BETWEEN JAMBS  
ABJ

NOTE:  
MINIMUM (2) STUDS 20 GAUGE REQUIRED IN DRYWALL

TITLE: MODEL 550 - GUIDE OPTIONS			
SCALE: --	DATE: 03/25/06	DRAWN BY: A.K.	CHECKED BY: P.V.
		United Steel Products, Inc. 33-40 127th Place Flushing NY 11368	
DRAWING NO.		DRAWING NO.	