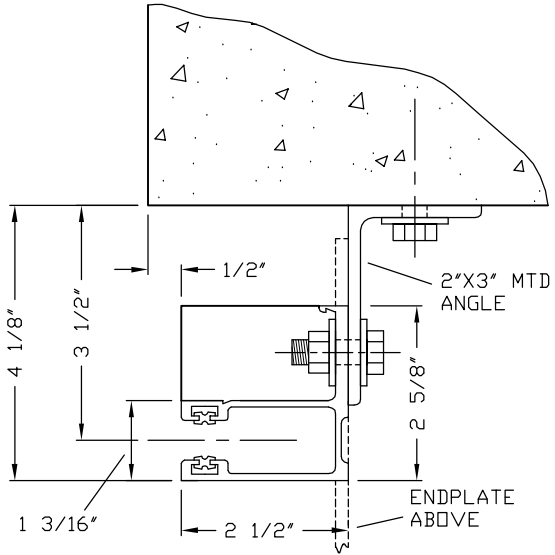
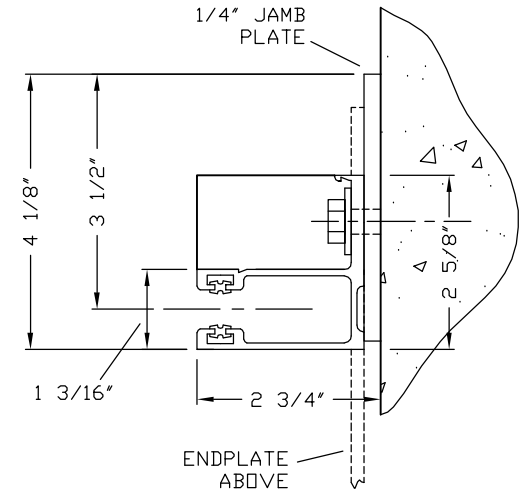


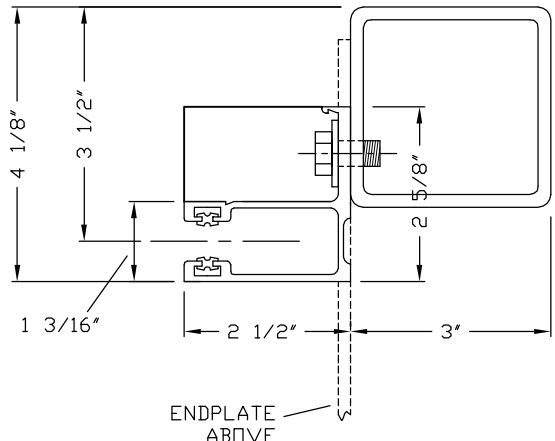
FACE OF WALL / E-MOUNT TO DRYWALL EDS



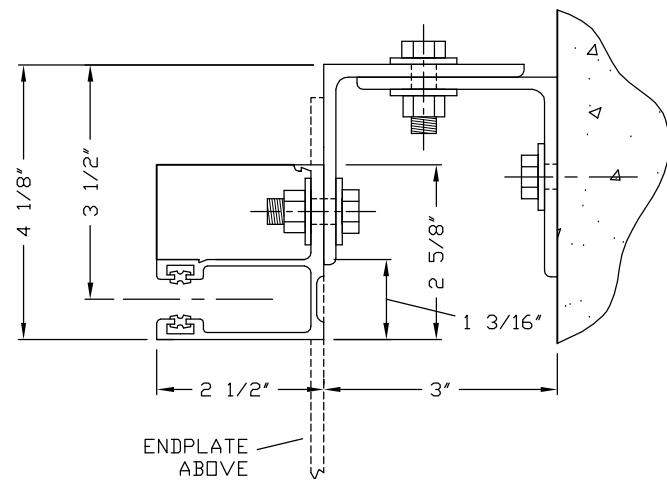
FACE OF WALL / Z-MOUNT TO MASONRY - ZMA



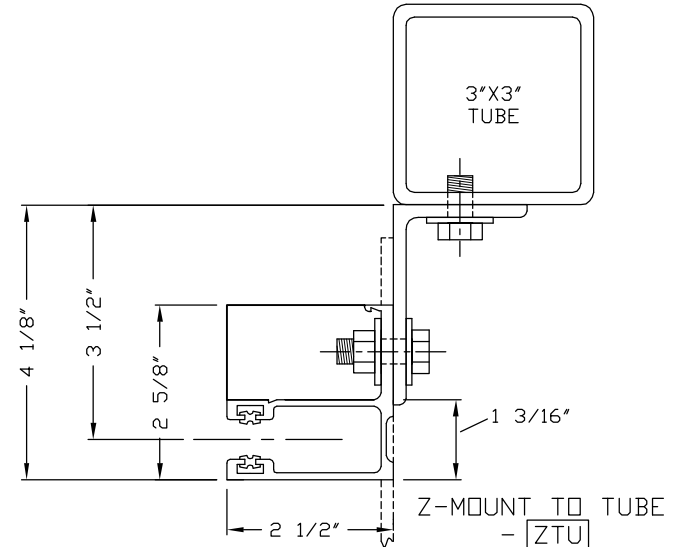
IN JAMB / TO MASONRY - IJI



TO 3" TUBE - TUB



BETWEEN JAMBS / MASONRY - BMA



Z-MOUNT TO TUBE - ZTU

TITLE: MODEL 350/375 GUIDE MOUNT OPTIONS WITH OPTION SNAP ON TRIM			
SCALE: --	DATE: 12/10/05	DRAWN BY: A.K.	CHECKED BY: P.V.
		United Steel Products, Inc. 33-40 127th Place Flushing NY 11368	
		DRAWING NO.	