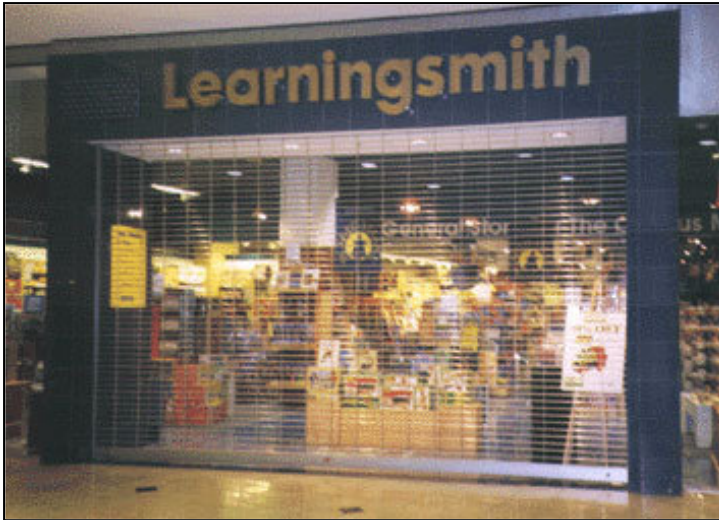




United Steel Products, Inc.

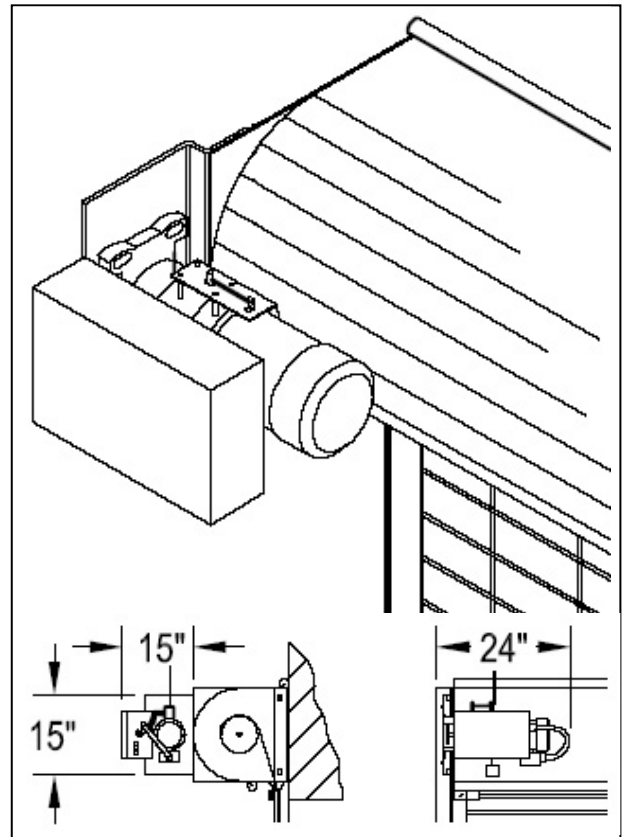
33-40 127th Place, Flushing NY 11368 - (718)478-5330 - Fax: (718)7793202
www.unitedsteelproducts.com

EMERGENCY RELEASE GRILLE



PRODUCT HILITES:

- Automatic opening of grille activated by alarm, emergency push button station or loss of power
- Locking by gearing of motor operator
- FGH – in-line gear drive motor operator with emergency chain hoist 120V 1Ø



OPERATION

FGH Motor Operator is provided to allow for daily use operation, auto- emergency opening is achieved by receiving signal from fire alarm, emergency open push button or loss of power. This signal releases power to motor which disengages governor brake to allow grille to open thru motor drive assembly, system is reset once power is restored. For use with Model 250-350-375 Grille Systems available on sizes from 6'-0" wide to 24'-0" wide and 7'-0" high to 14'-0" high.