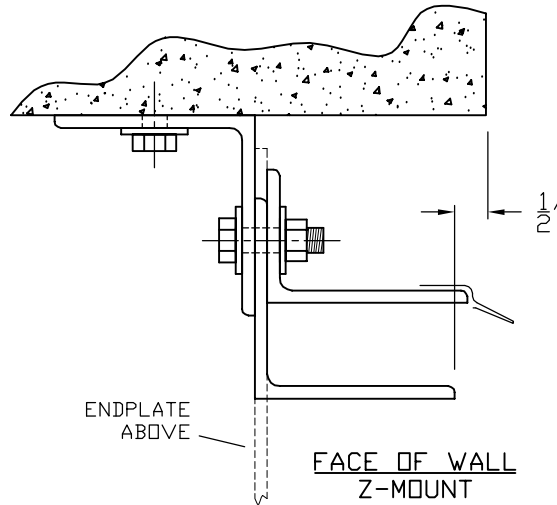
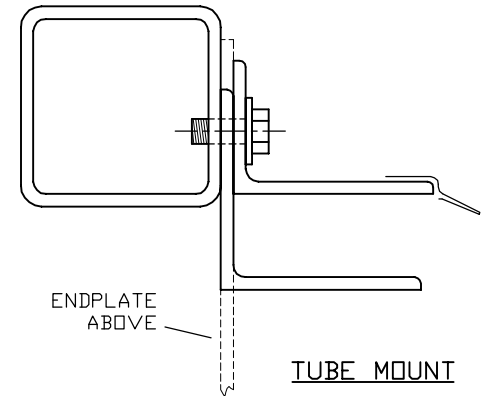


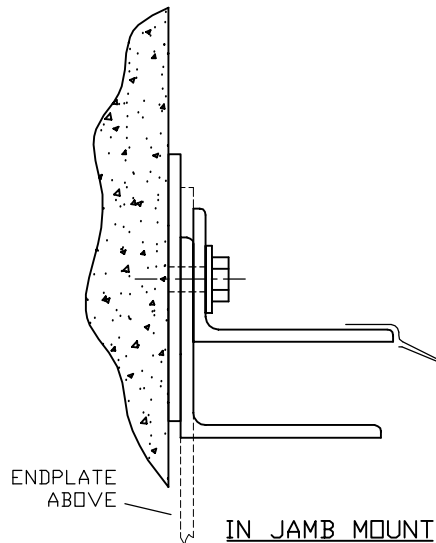
CODE EST



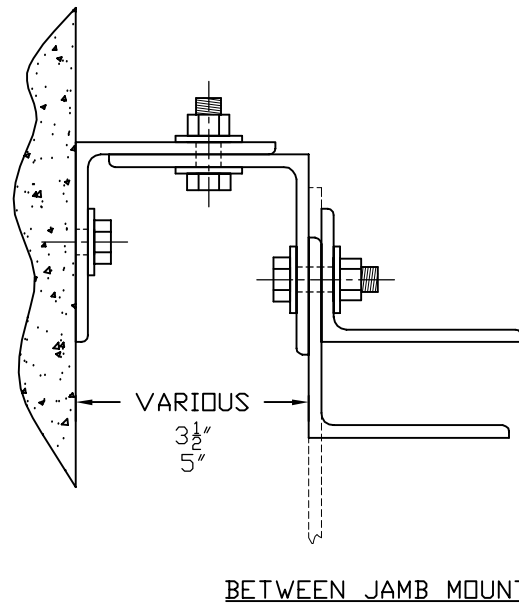
CODE ZMA



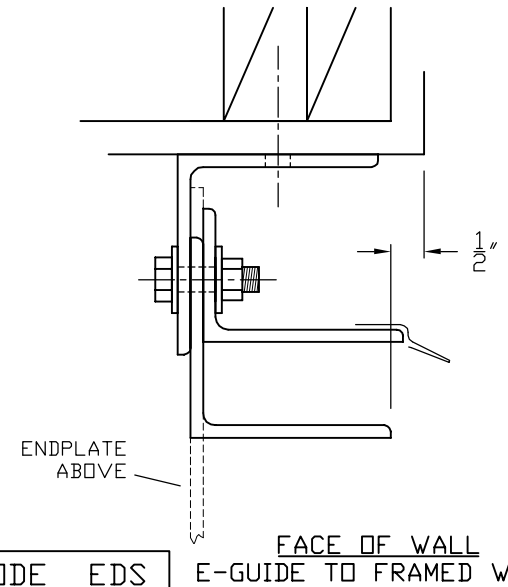
CODE ETU



CODE IJI



CODE BMA



CODE EDS

FACE OF WALL
E-GUIDE TO FRAMED WALL

STANDARD 3" GUIDE SHOWN
REFER TO GUIDE DETAIL TEMPLATE DRAWING
FOR ALL DIMENSIONS

SHOWN WITH
OPTION CLIP-ON
GUIDE SEAL

TITLE: MODEL 300-325 GUIDE MOUNT OPTIONS			
SCALE: --	DATE: 07/20/05	DRAWN BY: R.F.	CHECKED BY: P.V.
4.25 GUIDE PROJECTION	United Steel Products 33-40 127th Place Flushing, NY 11364		DRAWING NO.