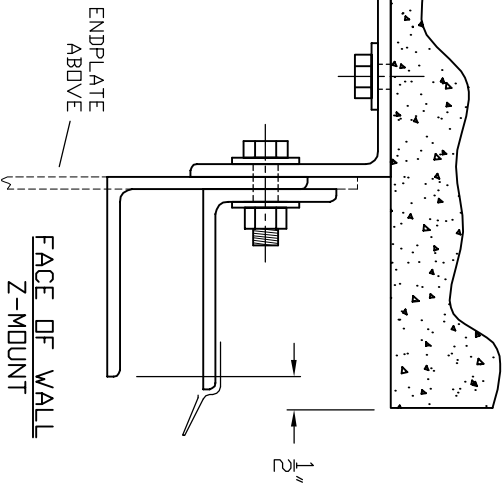
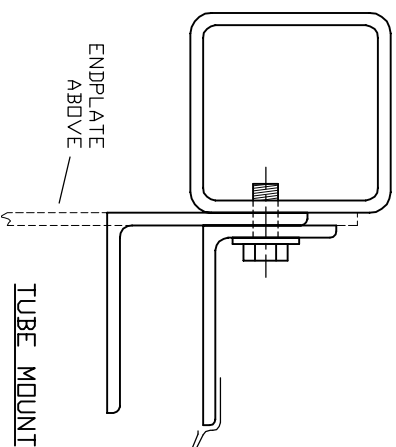


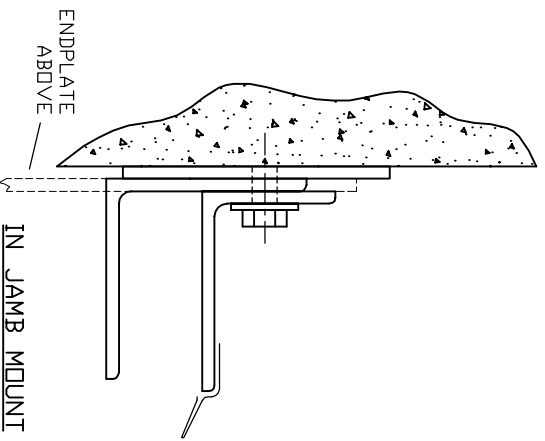
CODE EST



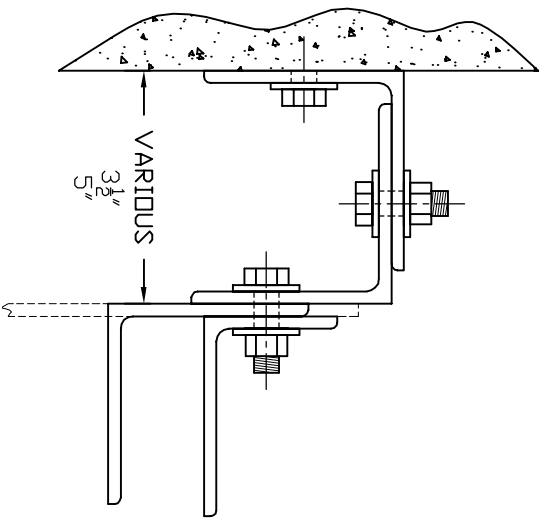
CODE ZMA



CODE ETU

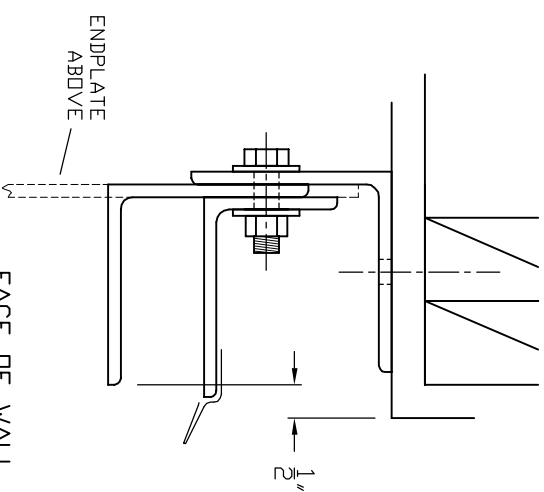


CODE IJI



CODE BMA

BETWEEN JAMB MOUNT



CODE EDS

MODEL 300-325
GUIDE MOUNT OPTIONS

STANDARD 3" GUIDE SHOWN
REFER TO GUIDE DETAIL TEMPLATE DRAWING
FOR ALL DIMENSIONS

SHOWN WITH
OPTION CLIP-ON
GUIDE SEAL

SCALE: --	DATE: 07/20/05	DRAWN BY: R.F.	CHECKED BY: P.V.
4:25 GUIDE PROJECTION	United Steel Products 33-40 127th Place Flushing, NY 11364		DRAWING NO.