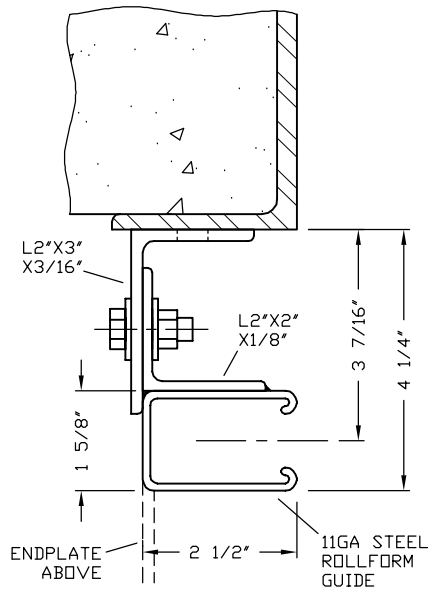
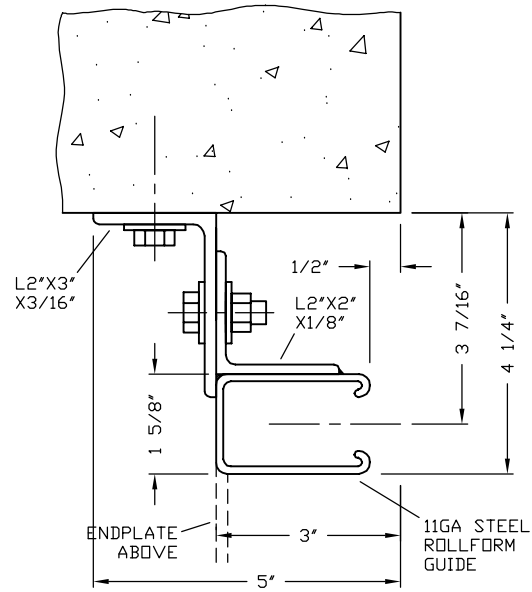


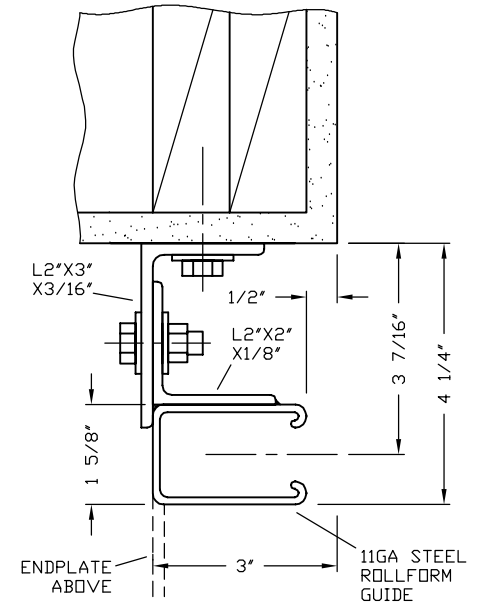
EST - E-MOUNT TO STEEL



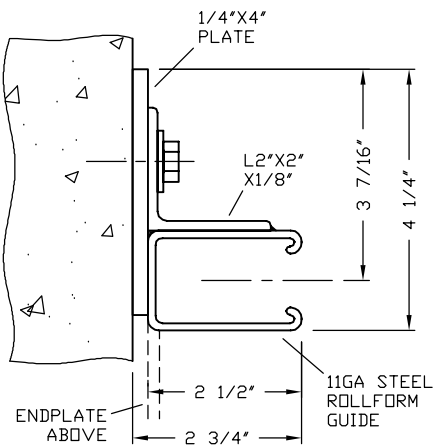
ZMA - Z-MOUNT TO MASONRY



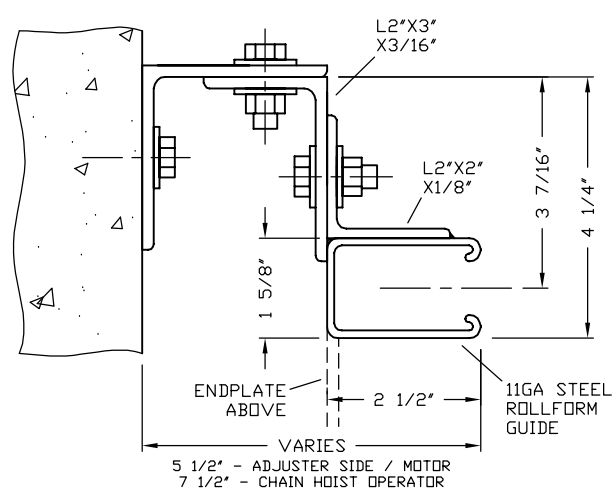
EDS - E-MOUNT TO DRYWALL



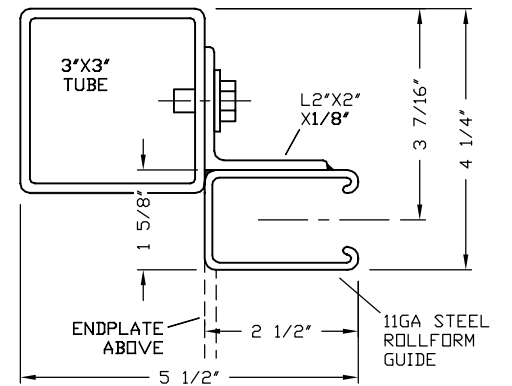
IJI - IN JAMB



BMA - BETWEEN JAMBS



TUB - DIRECT TO TUBE



TITLE: MODEL 250 - ROLL-UP GRILLE ROLLFORM GUIDE MOUNT OPTIONS			
SCALE: --	DATE: 03/03/06	DRAWN BY: A.K.	CHECKED BY: P.V.
 United Steel Products, Inc. 33-40 127th Place Flushing NY 11368		DRAWING NO.	