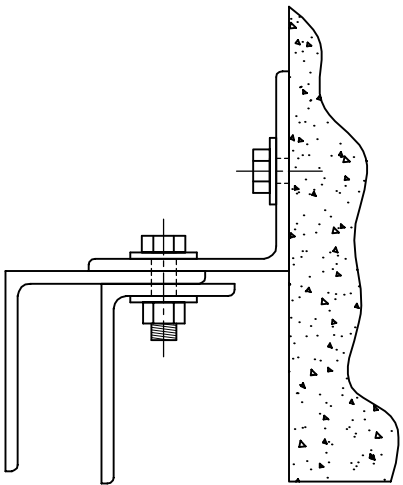


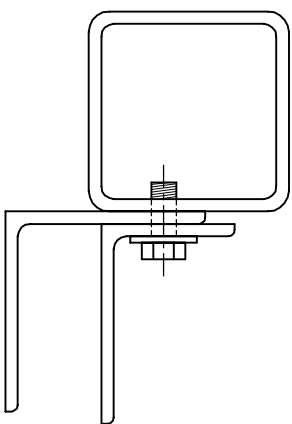
FACE OF WALL
E-MOUNT TO STEEL

CODE EST



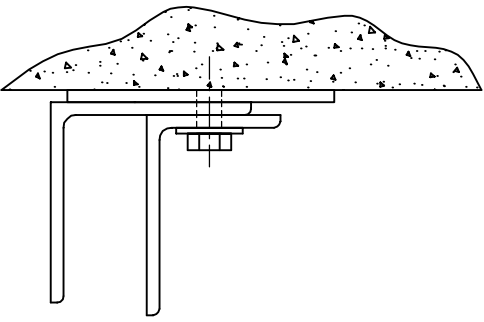
FACE OF WALL
Z-MOUNT

CODE ZMA



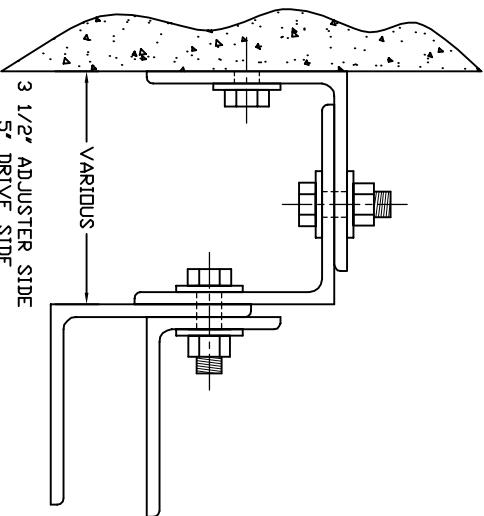
TUBE MOUNT

CODE ETU



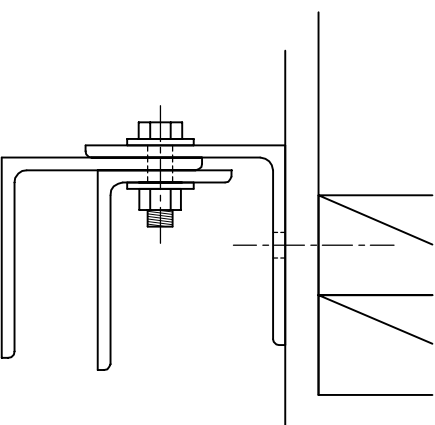
IN JAMB MOUNT

CODE IJI



BETWEEN JAMB MOUNT

CODE BMA



FACE OF WALL
E-GUIDE TO FRAMED WALL

CODE EDS

TITLE:

MODEL 200-225-250
GUIDE MOUNT OPTIONS

STANDARD 3" GUIDE SHOWN
REFER TO GUIDE DETAIL TEMPLATE DRAWING
FOR ALL DIMENSIONS

SCALE: --
4.25
GUIDE
PRODUCTION

DATE: 03/29/05
DRAWN BY: R.F.
United Steel Products, Inc.
33-40 127th Place
Flushing NY 11368

CHECKED BY: P.V.
DRAWING NO.