

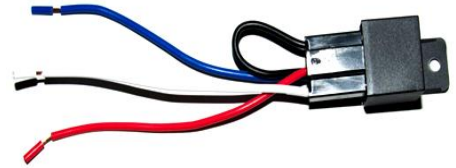
TT9400C Kit



TT9400



Power Harness



Relay (Optional)

TT9400C Installation Steps

When mounting the TT9400C, find a suitable mounting location under the vehicle dash pad. Be sure the label is pointing down to ensure the GPS is facing the sky. Measure the voltage at the vehicle battery with the car off. Power to the TT9400C can be taken directly from the battery, from the fuse box, or at a point near the steering column that has the exact same voltage as the vehicle battery with the car off. A voltage on a wire that is slightly less than the battery voltage indicates that the wire is not directly from the battery and should not be used.

1. Connect the Red wire of the device power harness to the vehicle's constant battery source.
2. Connect the Black wire of the device power harness to chassis ground.
3. For the starter interrupt installation follow the steps shown in figure 1.
4. To use the starter interrupt feature, connect the White wire from the power harness to ignition source.
5. Plug the power harness to the device and secure the device under the vehicle dash pad out of view.

LED Status

| Color | Function      | Behavior  |
|-------|---------------|---|
| BLUE  | Network       | Blink Fast (1/4 sec) = Searching<br>Blink Slow (1 sec) = Cell Signal OK |
| GREEN | GPS Indicator | ON = No GPS<br>Blinking = GPS OK  |

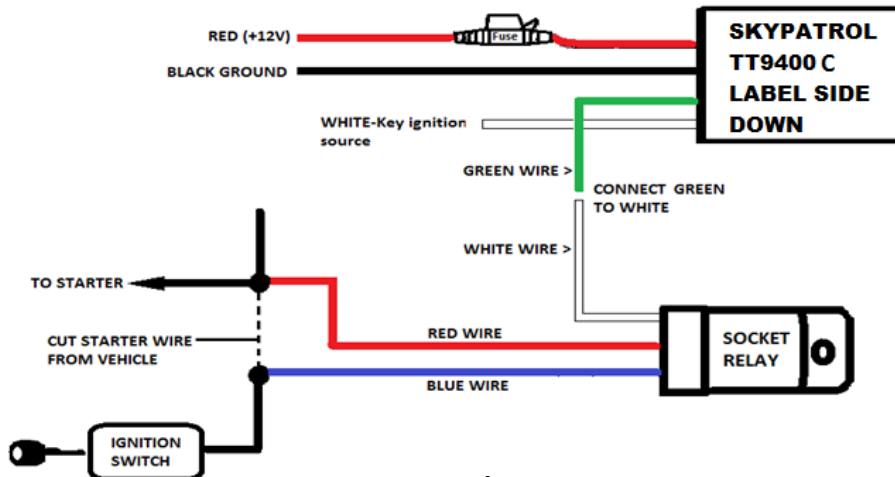


Figure 1