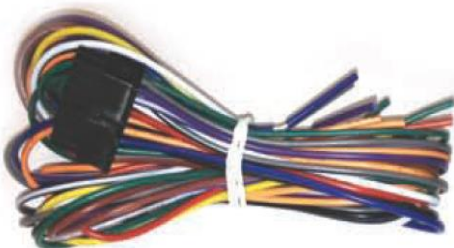


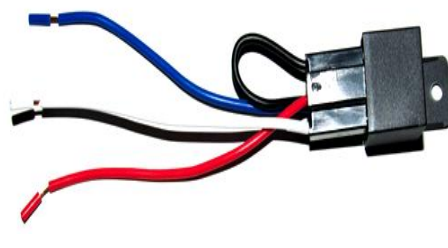
TT8750+ Kit



TT8750+



Power Harness



Relay (Optional)

TT8750+ Installation Steps

When mounting the TT8750+, find a suitable mounting location under the vehicle dash pad. Be sure the label is facing up to ensure the GPS is facing the sky. Measure the voltage at the vehicle battery with the car off. Power to the TT8750+ can be taken directly from the battery, or from the fuse box, or at a point near the steering column that has the exact same voltage as the vehicle battery with the car off. A voltage on a wire that is slightly less than the battery voltage indicates that the wire is not directly from the battery and should not be used.

1. Connect the Red wire of the device power harness to the vehicle's constant battery source.
2. Connect the Black wire of the device power harness to chassis ground.
3. For the starter interrupt, installation follow the steps shown in figure 1.
4. To use the starter interrupt feature, connect the White wire from the power harness to ignition source.
5. Plug the power harness to the device and secure the device under the vehicle dash pad out of view.

LED Status

Color	Function	Behavior
GREEN	Network	ON = Cell Signal OK Blinking = Searching
BLUE	GPS Indicator	ON = GPS OK OFF = No GPS
RED	Power	ON = Unit Powered

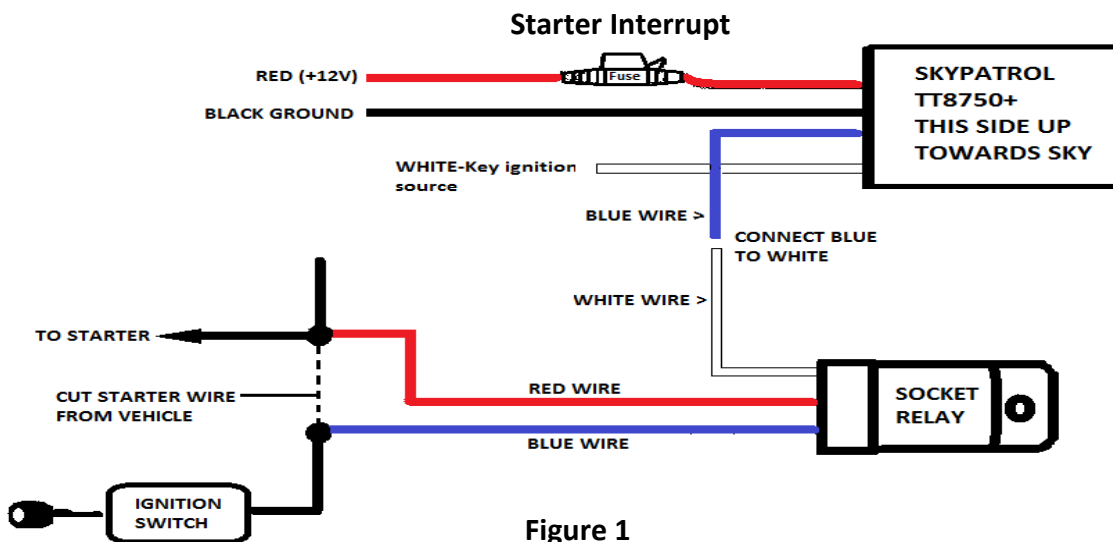


Figure 1