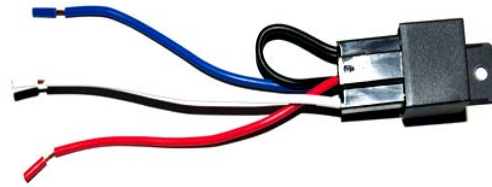


SP4200 Kit



SP4200



Relay (Optional)

SP4200 Installation Steps

When mounting the SP4200, find a suitable mounting location under the vehicle dash pad. Be sure the label is pointing up to ensure the GPS is facing the sky. Measure the voltage at the vehicle battery with the car off. Power to the SP4200 can be taken directly from any 12 volts source from inside the vehicle. Power for the device should come from a constant 12 volt source.

1. Connect the Red wire of the device power harness to the vehicle's constant 12 volt source.
2. Connect the Black wire of the device power harness to chassis ground.
3. For the starter interrupt installation follow the steps shown in figure 1.
4. To use the starter interrupt feature, connect the White wire from the power harness to key ignition source.

NOTE: IN ORDER FOR THE LATE PAYMENT REMINDER TO WORK THE WHITE WIRE FROM THE DEVICE MUST BE CONNECTED TO KEY ON IGNITION POWER.

Color	Function	Behavior
ORANGE	Network	Blinking = Searching Solid = Cell Signal OK
GREEN	GPS Indicator	Blinking = Searching Solid = GPS Signal OK

LED Status

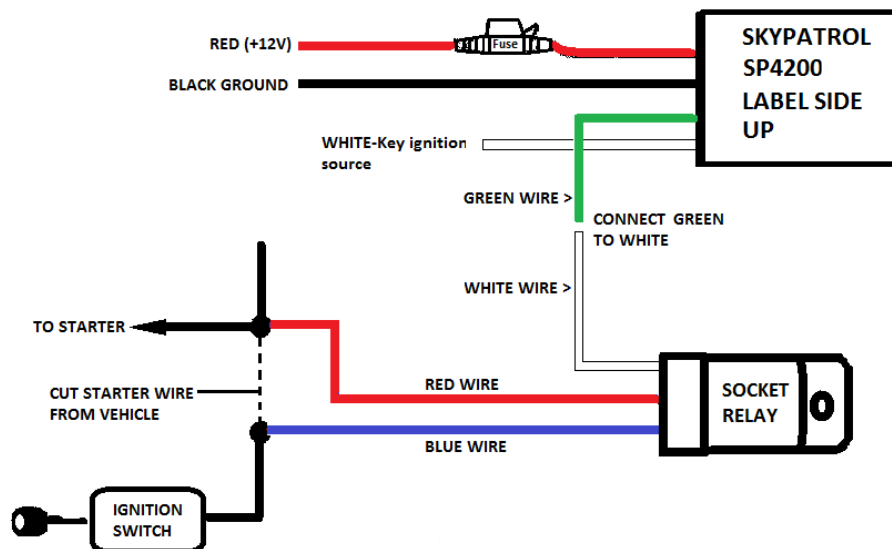


Figure 1