

# WirelessHART<sup>®</sup>

## TOXIC & COMBUSTIBLE GAS DETECTOR





# CAPABILITY OVERVIEW

## Wireless Capability

- *WirelessHART*® communication 7.2
- IEC 62591 compatible
- Integrated HART terminals
- Adjustable update rate

## Interoperability

- Seamless integration with existing *WirelessHART* networks and asset management systems

## Quick Mount Bracket

- Mounting bracket for pipe or wall mount
- Facilitates easy installation and replacement of unit

## Long Lifespan

- 5 years battery life\*
- Battery pack is field replaceable in hazardous location areas

## Heavy Duty Design

- Class I, Div. 1&2 for hazardous areas
- Explosion-proof & intrinsically safe

## Easy Calibration and Use

- Configure, calibrate, and test onsite with the touch of a button
- 128x64 pixel graphic display showing gas concentration, network connection, and battery status

## FLEXsense™ Sensor

- Automatically configures toxic or combustible gas sensor for readings in ppm or %LEL
- Sensor is field replaceable in hazardous location areas



\*Based on an 8 second update rate. 5 years battery warranty valid upon battery warranty registration.

*WirelessHART*® is a registered trademark of Field Comm Group. *FLEXsense*™ is a trademark of United Electric Controls Co.

# SPECIFICATIONS

## Sensor

	Hydrogen Sulfide (H <sub>2</sub> S)	Methane (CH <sub>4</sub> )
<b>Storage Temperature:</b>	72°F (22°C) recommended	
<b>Operating Temperature:</b>	-4°F (-20°C) to 122°F (50°C)	
<b>Storage Humidity:</b>	0% to 98% RH recommended	
<b>Storage Pressure:</b>	1.0 ± 0.2 atm recommended	
<b>Storage Life:</b>	1 year in sealed package	3 years in sealed package
<b>Types:</b>	Electrochemical	Nondispersive infrared
<b>Measurement range:</b>	0 to 100 ppm	0 to 100 %LEL
<b>Resolution:</b>	1 ppm	1 %LEL
<b>Accuracy<sup>1</sup>:</b>	±10 ppm	±2% LEL or ±5% of indication, whichever is greater
<b>Repeatability<sup>2</sup>:</b>	±10 ppm	±2% LEL
<b>Response time (T<sub>90</sub>)<sup>3</sup>:</b>	60 Seconds	30 Seconds
<b>Stabilization time:</b>	Up to 6 Hours at 72°F (22°C). See installation manual for details	1 Minute

Note: Sensors are interchangeable & self-configurable with the transmitter base. Sensor allows for one-handed sensor installation in hazardous area without declassifying the area

## Battery

<b>Batteries:</b>	Battery pack contains two Lithium battery cells
<b>Operating Voltage:</b>	7.2 V
<b>Average Battery Current:</b>	<110uA typical (with H <sub>2</sub> S sensor) <300uA typical (with CH <sub>4</sub> sensor)
<b>Life:</b>	5 years based on an 8 second update rate

<sup>1</sup>At standard conditions: 68°F (20°C) and 1.0 atm. Accuracy may vary with frequency, accuracy of calibration and environmental conditions (e.g., barometric pressure, temperature and humidity).

<sup>2</sup>Measured at 50% LEL for CH<sub>4</sub> sensor at 68°F (20°C) and measured at 25 ppm for H<sub>2</sub>S sensor at 68°F (20°C).

<sup>3</sup>Excludes latency due to radio burst rate.



# SPECIFICATIONS CONT.

## Base Transmitter

<b>Operating Temperature:</b>	-4°F (-20°C) to 140°F (60°C)
<b>Operating Humidity:</b>	0% to 98% RH recommended
<b>Material:</b>	Aluminum alloy (maximum copper content at 0.25%) with powder polyester paint; 316 stainless steel; nickel-plated brass; tempered glass
<b>Ingress Protection:</b>	Type 4X (enclosure only)
<b>Display:</b>	Viewable area is 2.25"W x1.25"H (57.2mm x 31.8mm) Graphical LCD display
<b>Display Language:</b>	English
<b>Memory:</b>	Programming and data are protected by a non-volatile EEPROM
<b>Antenna:</b>	2.4 GHz, Hazardous Area Antenna
<b>Mounting:</b>	Supplied mounting bracket for 2" pipe or wall
<b>Weight:</b>	7.84 lbs (Base) 9.61 lbs (Base with Sensor and Battery)

## Output and Access

<b>Communication Protocol:</b>	<i>WirelessHART</i> ® HART 7.2; EDDL file available at <a href="http://www.ueonline.com/vanguard">www.ueonline.com/vanguard</a>								
<b>Process Variables:</b>	<table> <tr> <td>Primary Variable (PV):</td> <td>Hydrogen Sulfide (H<sub>2</sub>S) concentration in ppm Methane (CH<sub>4</sub>) concentration in %LEL</td> </tr> <tr> <td>Secondary Variable (SV):</td> <td>Temperature (°C); Not available for Methane sensor</td> </tr> <tr> <td>Tertiary Variable (TV):</td> <td>Days since calibration (days)</td> </tr> <tr> <td>Quaternary (QV):</td> <td>Battery voltage (volts)</td> </tr> </table>	Primary Variable (PV):	Hydrogen Sulfide (H <sub>2</sub> S) concentration in ppm Methane (CH <sub>4</sub> ) concentration in %LEL	Secondary Variable (SV):	Temperature (°C); Not available for Methane sensor	Tertiary Variable (TV):	Days since calibration (days)	Quaternary (QV):	Battery voltage (volts)
Primary Variable (PV):	Hydrogen Sulfide (H <sub>2</sub> S) concentration in ppm Methane (CH <sub>4</sub> ) concentration in %LEL								
Secondary Variable (SV):	Temperature (°C); Not available for Methane sensor								
Tertiary Variable (TV):	Days since calibration (days)								
Quaternary (QV):	Battery voltage (volts)								
<b>Programming Access:</b>	HART hand-held communicator or via HART modem connected to HART terminals located in rear battery compartment or via remote access (e.g., asset management software such as Emerson AMS Device Manager)								
<b>Calibration/Bump Test Access:</b>	Via. external button on transmitter base								

## HOW TO ORDER

### STEP 1 - CHOOSE TRANSMITTER MODEL

TCD50H1A	Base transmitter; includes enclosure, operating system, radio module, <i>WirelessHART</i> 7.2 communication protocol, 2.4 GHz antenna, and mounting bracket kit; <b>excludes sensor and battery pack</b>
TCD50H1A01	Base transmitter with <i>FLEXsense™</i> Methane (CH <sub>4</sub> ) sensor; <b>excludes battery pack</b>
TCD50H1A02	Base transmitter with <i>FLEXsense™</i> Hydrogen Sulfide (H <sub>2</sub> S) sensor; <b>excludes battery pack</b>

### STEP 2 - CHOOSE A BATTERY

6361-807	Battery pack containing two lithium battery cells; 7.2V operating voltage*
----------	--

## OPTIONS

### REPLACEMENT PARTS

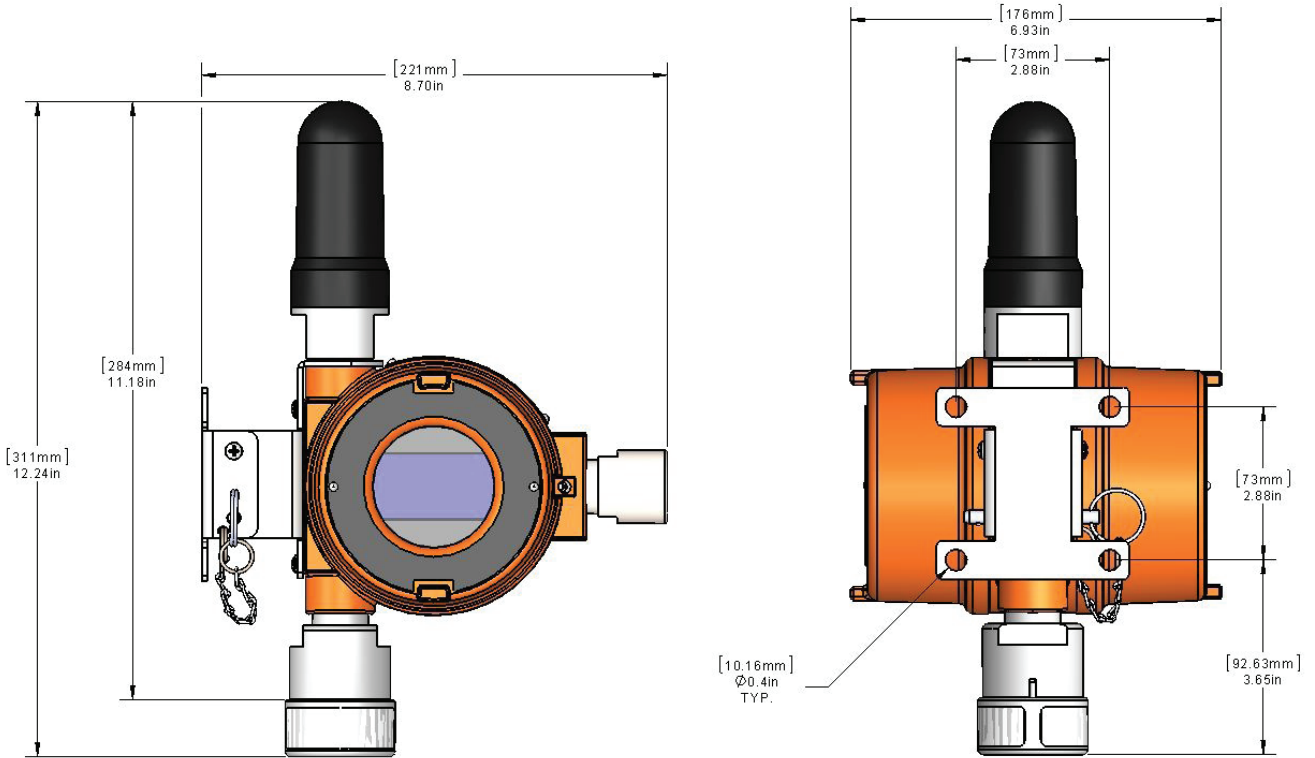
6361-807	Battery pack containing two lithium battery cells; 7.2V operating voltage
62169-45	<i>FLEXsense™</i> Methane (CH <sub>4</sub> ) sensor; sensor pack only, excludes base transmitter
62169-46	<i>FLEXsense™</i> Hydrogen Sulfide (H <sub>2</sub> S) sensor; sensor pack only, excludes base transmitter

### ACCESSORIES

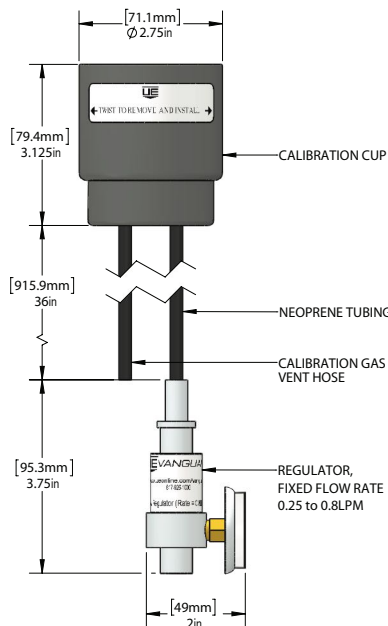
62169-50	Gas calibration kit including calibration cup and regulator
6361-811	Mounting bracket kit

\*Battery ships separately per US and International Transport Authorities (e.g., IATA). Follow proper disposal regulations for lithium batteries as they apply to your jurisdiction.

# DIMENSIONAL DRAWINGS



## CALIBRATION KIT



# PRODUCT APPROVALS & RATINGS

Model	N. America	Europe	International
TCD50H1A TCD50H1A01 TCD50H1A02	Class I Div. 1, Groups C & D, T4  <b>USA:</b> Class I, Zone 1, AEx db ia [ia] IIB T4 Gb Enclosure Type 4X**  <b>Canada:</b> Class I, Zone 1, Ex db ia [ia] IIB T4 Gb -20°C < Ta < +60°C*	II 2 (2) G Ex db ia [ia] IIB T4 Gb ITS 16 ATEX 18474 -20°C < Tamb < +60°C*	IECEx ETL 16.0016 Ex db ia [ia] IIB T4 Gb -20°C < Tamb < +60°C*

\*Ambient operating temperature range may vary with sensor type.

\*\*Enclosure type 4X ratings apply to enclosure only.

UE declarations and third-party issued agency certifications are available for download at: [www.ueonline.com/prod\\_approval](http://www.ueonline.com/prod_approval).

## COMPLIANCE TO STANDARDS

The device has been certified in accordance with the applicable requirements of the standards listed on page 5 of the installation and maintenance manual.



### RECOMMENDED PRACTICES AND WARNINGS

United Electric Controls Company recommends careful consideration of the following factors when installing and operating the UE Vanguard unit. Before installing a unit, the Installation and Maintenance instructions provided with the unit must be read and understood.

- This device is for monitoring and communicating gas concentration levels for data collection or record keeping and does not provide alarm signals.
- Misuse of this device may cause explosion and/or personal injury. These instructions must be thoroughly read and understood prior to installation of the device.
- The end-user is responsible for maintaining the device in full, operational condition.
- Install the device where shock, vibration and temperature fluctuations are minimal. Do not mount in ambient temperatures that exceed the limits on the device labelling.
- The device must be mounted vertically with the sensor pointing downward.
- Avoid dropping the device, as loosening of the threaded flame-proof joints or permanent damage may occur.
- When not in use, the device should be stored in a clean, dry area and within the temperature range listed within the device's environmental specifications.
- The only field replaceable parts are the battery pack and FLEXsense™ sensor. Substitution of other components will invalidate third party issued approvals and certifications, may impair suitability for Class 1, Div 1 location and void any warranties.
- Only battery packs and FLEXsense™ sensors provided by United Electric Controls are compatible with this device.
- New sensors must be calibrated after installation.
- Hydrogen Sulfide (H<sub>2</sub>S) is an extremely toxic gas, and exposure may result in loss of consciousness or death.
- Methane (CH<sub>4</sub>) is a greenhouse gas and is extremely flammable. Exposure in closed areas may cause explosion, and result in loss of consciousness or death.

### LIMITED WARRANTY

Seller warrants that the product hereby purchased is, upon delivery, free from defects in material and workmanship and that any such product which is found to be defective in such workmanship or material will be repaired or replaced by Seller (Ex-works, Factory, Watertown, Massachusetts. INCOTERMS); provided, however, that this warranty applies only to equipment found to be so defective within a period (as defined in the chart below) from the date of manufacture by the Seller.

PRODUCT SERIES/COMPONENTS/REPLACEMENT PARTS	WARRANTY
Electrochemical Sensors	12 months
Infrared Sensors	24 months
Vanguard Base Transmitter	36 months
Battery	60 months*

\* 5 year battery warranty valid only with registration at [www.ueonline.com/vanguard](http://www.ueonline.com/vanguard)

Seller shall not be obligated under this warranty for alleged defects which examination discloses are due to tampering, misuse, neglect, improper storage, and in any case where products are disassembled by anyone other than authorized Seller's representatives. EXCEPT FOR THE LIMITED WARRANTY OF REPAIR AND REPLACEMENT STATED ABOVE, SELLER DISCLAIMS ALL WARRANTIES WHATSOEVER WITH RESPECT TO THE PRODUCT, INCLUDING ALL IMPLIED WARRANTIES OF MERCHANTABILITY OR FITNESS FOR ANY PARTICULAR PURPOSE.

### LIMITATION OF SELLER'S LIABILITY

Seller's liability to Buyer for any loss or claim, including liability incurred in connection with (i) breach of any warranty whatsoever, expressed or implied, (ii) a breach of contract, (iii) a negligent act or acts (or negligent failure to act) committed by Seller, or (iv) an act for which strict liability will be inputted to seller, is limited to the "limited warranty" of repair and/or replacement as so stated in our warranty of product. In no event shall the Seller be liable for any special, indirect, consequential or other damages of a like general nature, including, without limitation, loss of profits or production, or loss or expenses of any nature incurred by the buyer or any third party.

UE specifications subject to change without notice.



**Safety Scan**  
Smart Gas Leak Detection



FOR A LIST OF OUR INTERNATIONAL AND DOMESTIC REGIONAL SALES OFFICES PLEASE VISIT OUR WEBPAGE [WWW.UEONLINE.COM](http://WWW.UEONLINE.COM)



180 Dexter Avenue, P.O. Box 9143  
Watertown, MA 02471-9143 USA  
Telephone: 617 926-1000 Fax: 617 926-2568  
<http://www.ueonline.com>