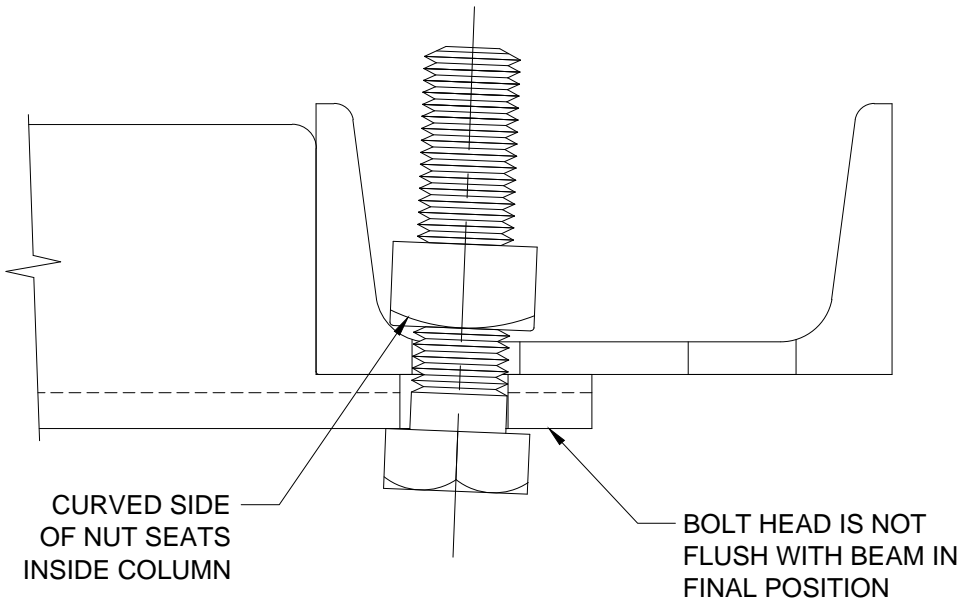


C3 & C4 BEAMS: (1) BOLT EA. END (U.N.O.)
 C5 & C6 BEAMS: (2) BOLTS EA. END

RECOMMENDED TORQUE
 RANGE IS 45 TO 80 FT.LBS.



THIS DRAWING IS THE PROPERTY OF RACK BUILDERS, INC. IT IS NOT TO BE USED OR COPIED WITHOUT WRITTEN PERMISSION FROM RACK BUILDERS, INC.



Rack Builders Inc.
 Ingenuity Quality Integrity

1101 Perimeter Drive, Suite 727
 Schaumburg, IL 60173
 847.330.1724 (p) - 847.620.2509 (f)

DRAWN BY	AJS	CUSTOMER	RACK BUILDERS, INC.
CHECKED BY	AJS	MODEL NUMBER	
REVISION	0	DESCRIPTION	BEAM TO COLUMN CONNECTION
DATE	11.01.10	ORDER NUMBER	DRAWING NUMBER INS-PB-01