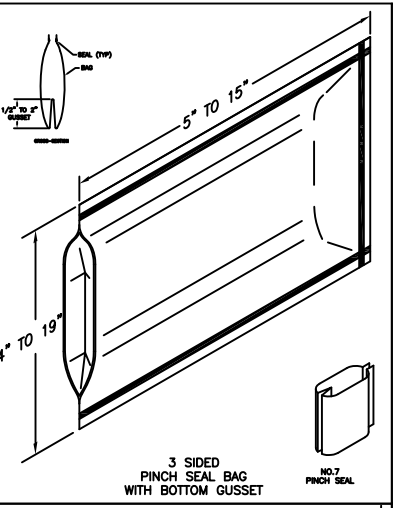
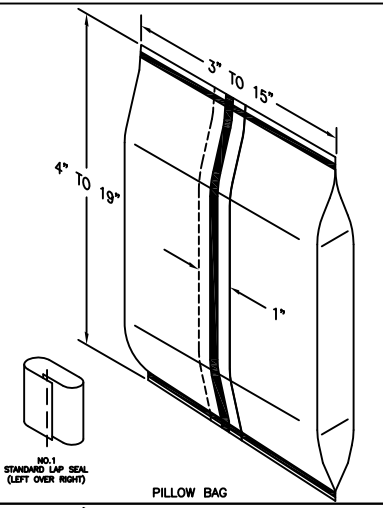


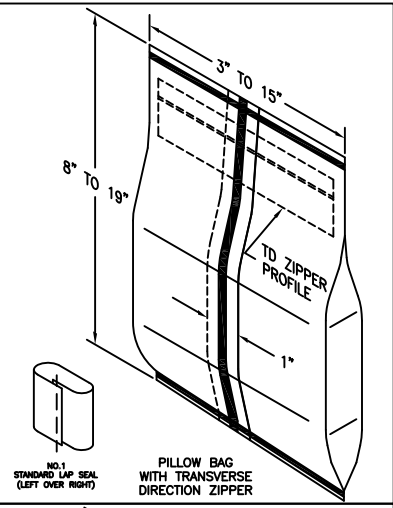
3 SIDED PINCH SEAL BAG  
NO. 7 PINCH SEAL



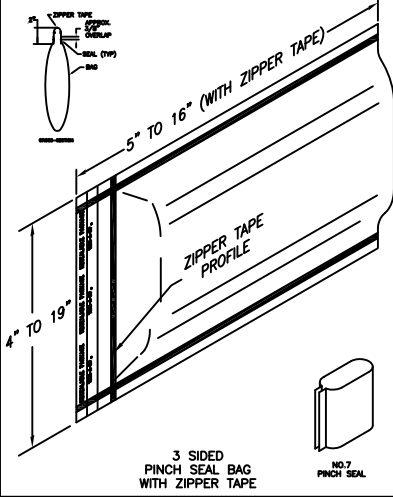
3 SIDED PINCH SEAL BAG WITH BOTTOM GUSSET  
NO. 7 PINCH SEAL



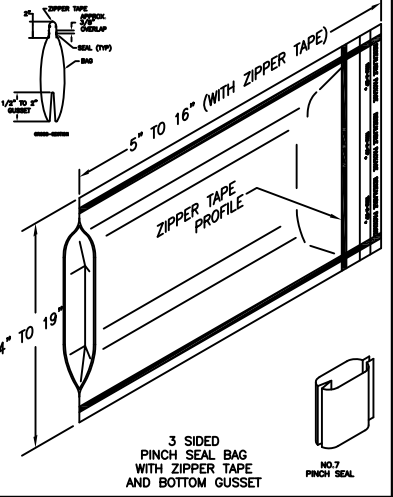
NO. 1 STANDARD LAP SEAL (LEFT OVER RIGHT)  
PILLOW BAG



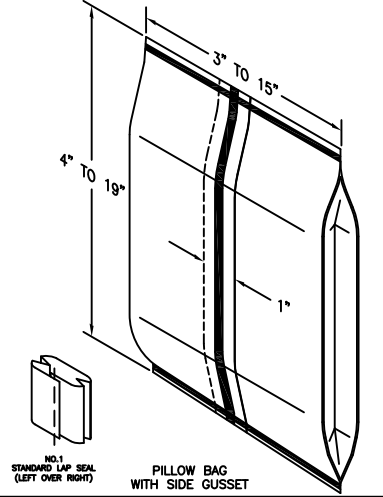
NO. 1 STANDARD LAP SEAL (LEFT OVER RIGHT)  
PILLOW BAG WITH TRANSVERSE DIRECTION ZIPPER



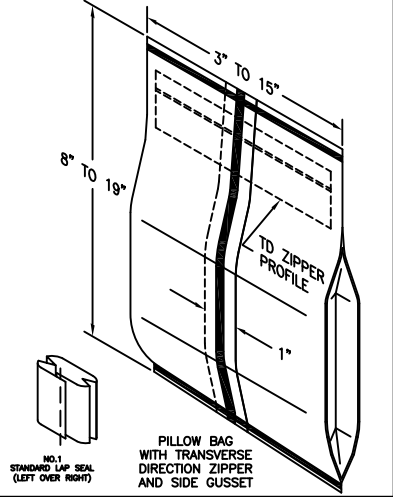
3 SIDED PINCH SEAL BAG WITH ZIPPER TAPE  
NO. 7 PINCH SEAL



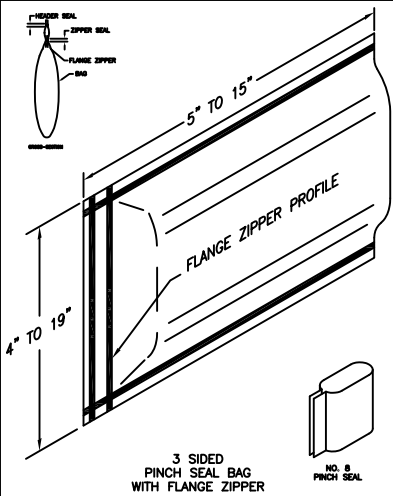
3 SIDED PINCH SEAL BAG WITH ZIPPER TAPE AND BOTTOM GUSSET  
NO. 7 PINCH SEAL



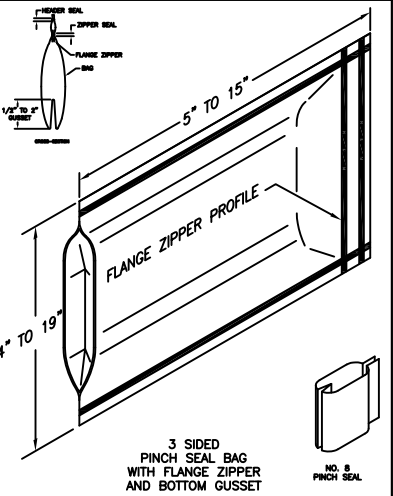
NO. 1 STANDARD LAP SEAL (LEFT OVER RIGHT)  
PILLOW BAG WITH SIDE GUSSET



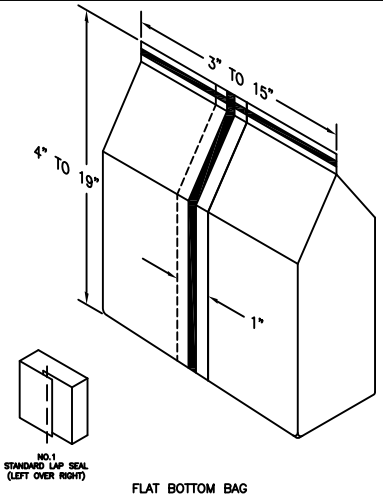
NO. 1 STANDARD LAP SEAL (LEFT OVER RIGHT)  
PILLOW BAG WITH TRANSVERSE DIRECTION ZIPPER AND SIDE GUSSET



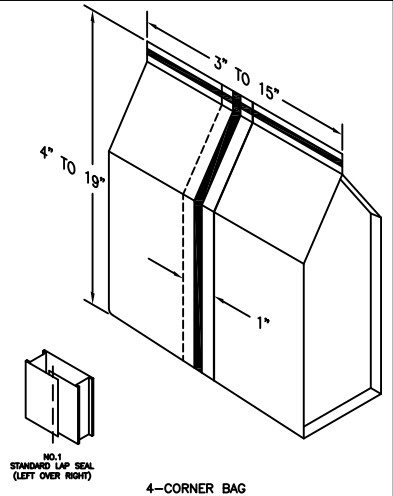
3 SIDED PINCH SEAL BAG WITH FLANGE ZIPPER  
NO. 8 PINCH SEAL



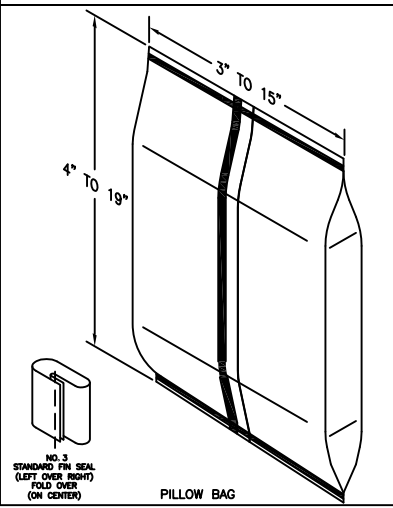
3 SIDED PINCH SEAL BAG WITH FLANGE ZIPPER AND BOTTOM GUSSET  
NO. 8 PINCH SEAL



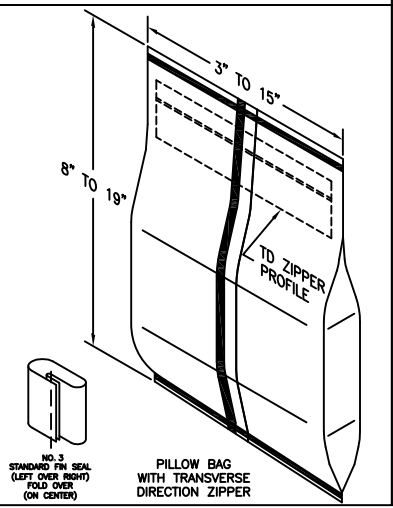
NO. 1 STANDARD LAP SEAL (LEFT OVER RIGHT)  
FLAT BOTTOM BAG



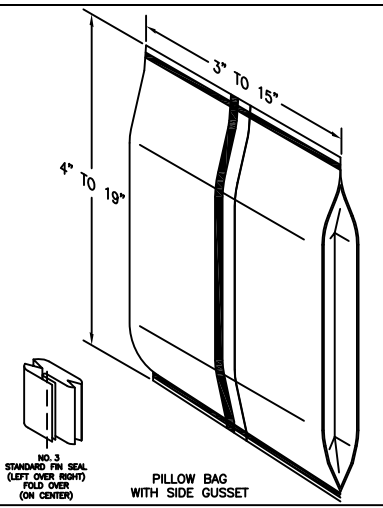
NO. 1 STANDARD LAP SEAL (LEFT OVER RIGHT)  
4-CORNER BAG



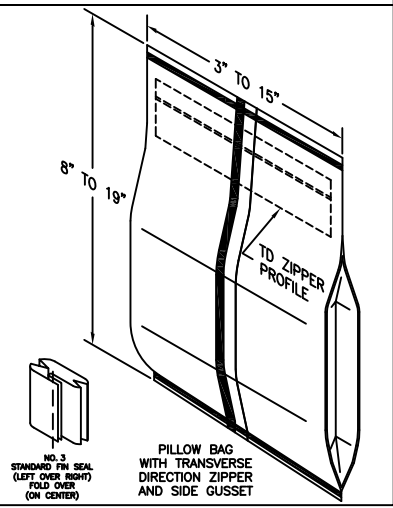
NO. 3 STANDARD FIN SEAL (LEFT OVER RIGHT) FOLD OVER (ON CENTER)  
PILLOW BAG



NO. 3 STANDARD FIN SEAL (LEFT OVER RIGHT) FOLD OVER (ON CENTER)  
PILLOW BAG WITH TRANSVERSE DIRECTION ZIPPER



NO. 3 STANDARD FIN SEAL (LEFT OVER RIGHT) FOLD OVER (ON CENTER)  
PILLOW BAG WITH SIDE GUSSET



NO. 3 STANDARD FIN SEAL (LEFT OVER RIGHT) FOLD OVER (ON CENTER)  
PILLOW BAG WITH TRANSVERSE DIRECTION ZIPPER AND SIDE GUSSET