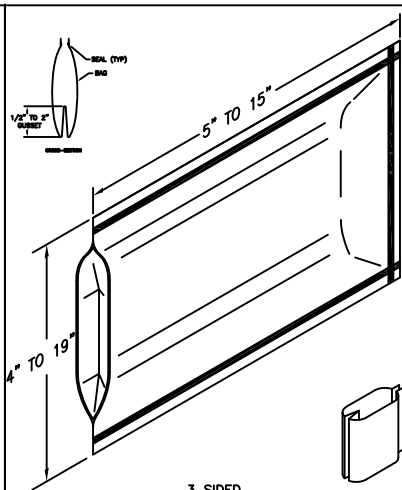


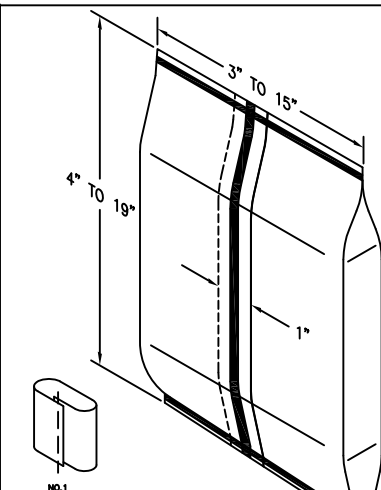
3 SIDED  
PINCH SEAL BAG

NO. 7  
PINCH SEAL



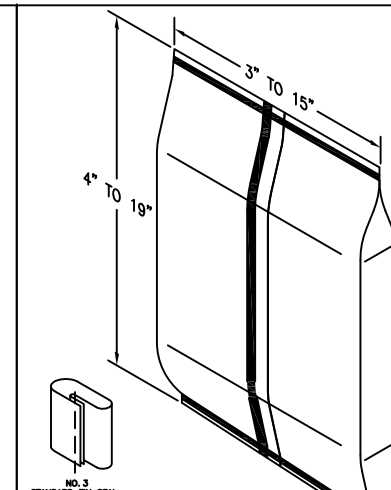
3 SIDED  
PINCH SEAL BAG  
WITH BOTTOM GUSSET

NO. 7  
PINCH SEAL



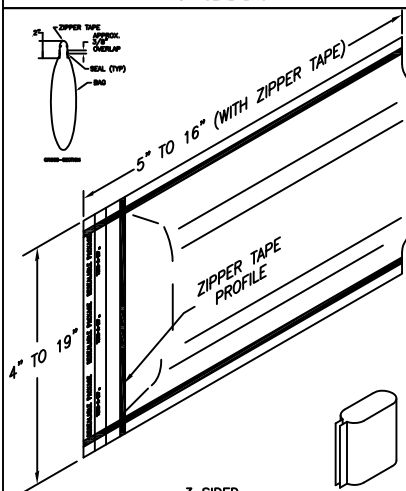
NO. 1  
STANDARD LAP SEAL  
(LEFT OVER RIGHT)

PILLOW BAG



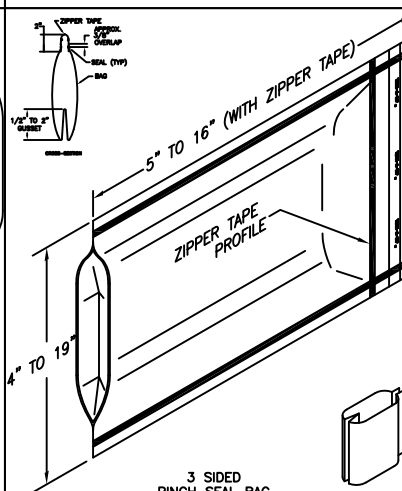
NO. 3  
STANDARD FIN SEAL  
(LEFT OVER RIGHT)  
FOLD OVER  
(ON CENTER)

PILLOW BAG



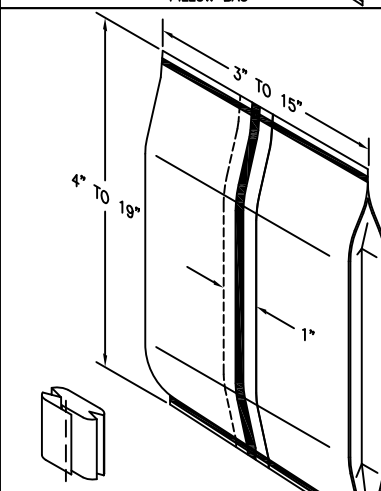
3 SIDED  
PINCH SEAL BAG  
WITH ZIPPER TAPE

NO. 7  
PINCH SEAL



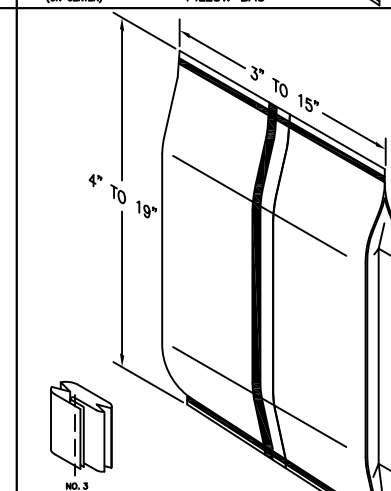
3 SIDED  
PINCH SEAL BAG  
WITH ZIPPER TAPE  
AND BOTTOM GUSSET

NO. 7  
PINCH SEAL



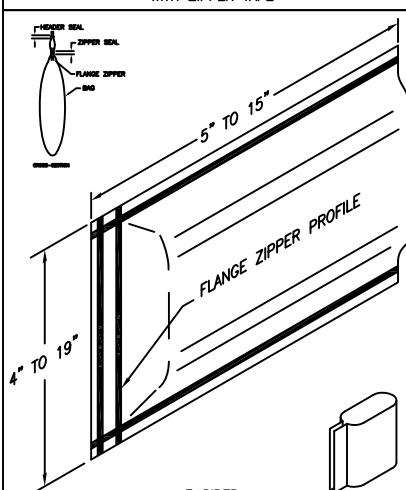
NO. 1  
STANDARD LAP SEAL  
(LEFT OVER RIGHT)

PILLOW BAG  
WITH SIDE GUSSET



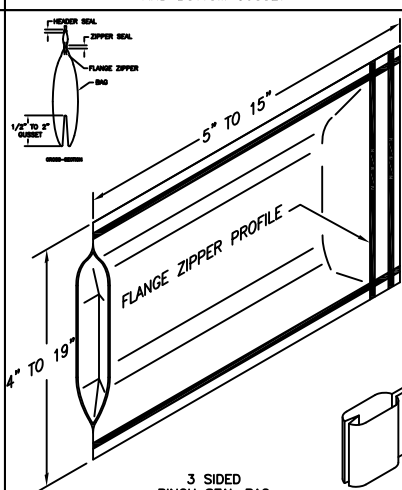
NO. 3  
STANDARD FIN SEAL  
(LEFT OVER RIGHT)  
FOLD OVER  
(ON CENTER)

PILLOW BAG  
WITH SIDE GUSSET



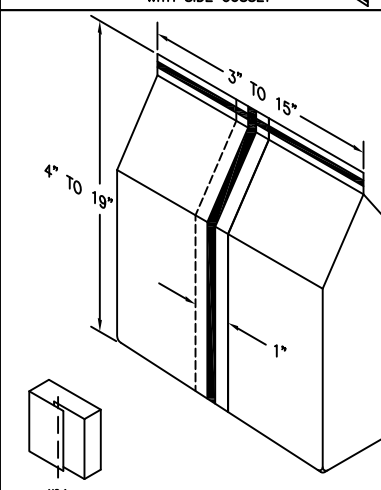
3 SIDED  
PINCH SEAL BAG  
WITH FLANGE ZIPPER

NO. 8  
PINCH SEAL



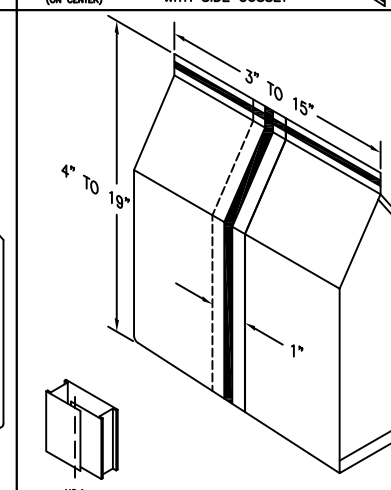
3 SIDED  
PINCH SEAL BAG  
WITH FLANGE ZIPPER  
AND BOTTOM GUSSET

NO. 8  
PINCH SEAL



NO. 1  
STANDARD LAP SEAL  
(LEFT OVER RIGHT)

FLAT BOTTOM BAG



NO. 1  
STANDARD LAP SEAL  
(LEFT OVER RIGHT)

4-CORNER BAG