



SJ4740

ELECTRIC SCISSOR LIFTS

STANDARD FEATURES

- Overload sensing system
- Skycoded onboard interface
- Drivable at full height
- Variable speed, front wheel hydraulic drive
- Half height hinged gate
- Extended control box cable
- Dual holding brakes
- Proportional controls for drive & lift functions
- 3' (0.9 m) Roll out extension deck
- 24V DC power source
- Low voltage battery protection
- 25% Gradeability
- Solid rubber, non-marking tires
- Pothole protection system
- 110V AC outlet on platform with GFI
- Tilt alarm with drive & lift cut-out
- All motion audible alarm
- Lanyard attachment points
- Operator horn
- Hinged railing system
- Forklift pockets and tie down/lift lugs
- Color coded and numbered wiring system
- Telematics ready
- 2 Year Gold Leaf Warranty (5 year structural warranty)

ACCESSORIES AND OPTIONS

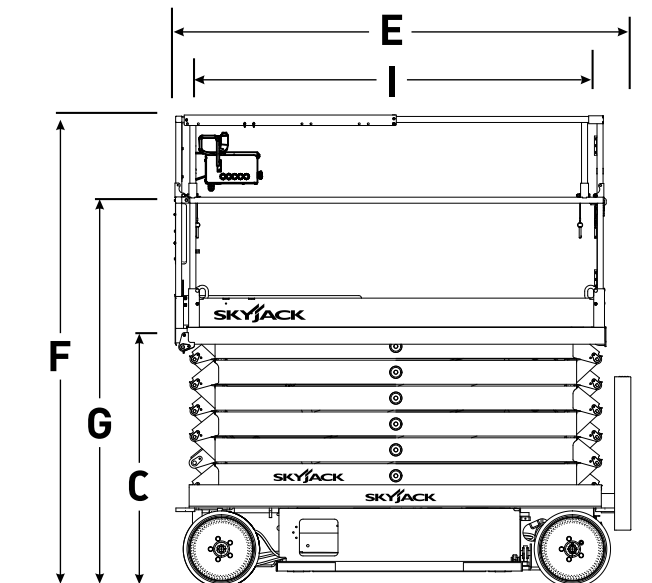
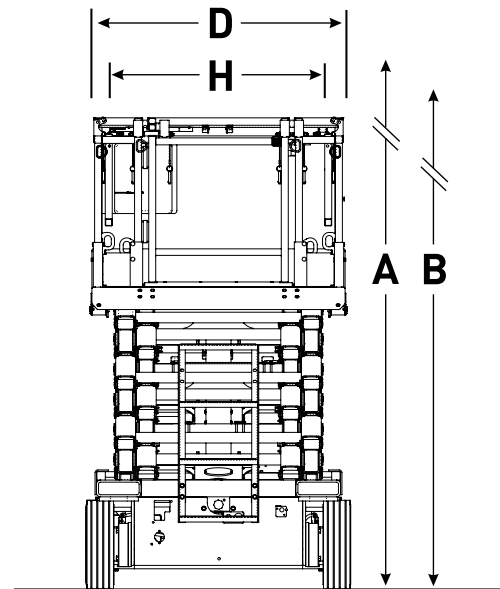
- Heavy duty pipe rack
- Board carrier
- Tool caddy
- LED flashing light
- Dual flashing lights
- Lockable tray(s)
- 800W AC inverter
- AGM Batteries
- Full height spring hinged gate
- Bio oil
- Non destructive testing
- ELEVATE telematics

† Standard lead times may be increased when optional equipment is added, consult factory.

‡ Capacities, and machine weights may differ when options are added.

SJ4740 ELECTRIC SCISSOR LIFTS

| Dimensions | SJIII 4740 |
|--|----------------------|
| A Work Height | 44' 11" (13.70 m) |
| B Raised Platform Height | 38' 11" (11.90 m) |
| C Lowered Platform Height | 55.6" (1.41 m) |
| D Overall Width | 47" (1.19 m) |
| E Overall Length (Platform Retracted) | 94.7" (2.41 m) |
| F Stowed Height (Rails Up) | 99.5" (2.53 m) |
| G Stowed Height (Rails Down) | 79.6" (2.02 m) |
| H Platform Width (Inside Railing) | 42" (1.06 m) |
| I Platform Inside Length (Retracted) | 86" (2.19 m) |
| Specifications | SJIII 4740 |
| Extension Deck (Roll Out) | 3' (0.9 m) |
| Ground Clearance (Pothole Raised) | 4.5" (11.4 cm) |
| Wheelbase | 73" (1.85 m) |
| Weight | 6,385 lbs (2,896 kg) |
| Gradeability | 25% |
| Turning Radius (Inside) | 21" (0.54 m) |
| Turning Radius (Outside) | 101" (2.58 m) |
| Lift Time (With Rated Load) | 75 sec |
| Lowered Time (With Rated Load) | 45 sec |
| Drive Speed (Stowed) | 2.0 mph (3.2 km/h) |
| Drive Speed (Raised) | 0.4 mph (0.65 km/h) |
| Maximum Drive Height | Full Height |
| Capacity (Overall) | 770 lbs (349 kg) |
| Local Floor Load (With Rated Load) | 210 psi (1446 kPa) |
| Overall Floor Load (With Rated Load) | 230 psf (11 kPa) |
| Maximum # of persons at 0 mph (0 m/s) wind rating | 3 |
| Maximum # of persons up to 28 mph (12.5 m/s) wind rating | 0 |
| Tire Type | Solid, N/M |
| Tire Size | 16 x 5 x 12 |



Skyjack Head Office

55 Campbell Rd. Guelph, ON Canada N1H 1B9
 Sales Inquiries: 1-877-755-4387 (1-877-SJLIFTS)
 Main Switchboard: 1-800-265-2738
 Phone: 519-837-0888
 Fax: 519-837-8104
 Email: skyjack@skyjack.com
 www.skyjack.com

This brochure is for illustrative purpose only and based on the latest information at the time of printing. Skyjack Inc. reserves the right to make changes at any time, without notice, to specifications, standard and optional equipment. Consult the Operating Maintenance and Parts Manuals for proper procedures. Work platforms have been tested to comply with ANSI and CSA standards as interpreted by Skyjack Inc.

