



# Trailer Mounted Z-Boom

TMZ-34/19

The best quality, value and innovation in the trailer mounted boom market.



# Industry Leading Design and Performance

The introduction of the Genie TMZ-34/19 revolutionized the aerial lifting industry by including new technology and features that set new standards of excellence in the trailer mounted boom marketplace. The next generation of the TMZ-34/19 now adds unique features like a negative angle boom and a simultaneous down function, while offering new options, such as hydraulic outriggers, automatic machine leveling and platform rotation.



135 Degree Jib Working Range

## Standard Features

### 135 Degree Jib Working Range

A 4½ft (1.37 m) articulating jib allows you to position the platform above and below the horizontal.

### Negative Angle Boom

A new negative angle boom lift structure provides an industry-leading working envelope allowing the operator to reach areas in the lower height range.

### Easy to Transport

The TMZ is easily towed behind any vehicle with a 2 in (50 mm) ball and class 2 hitch. Genie's tow speed rating of 60 mph (97 km/hr) is the highest in the industry, allowing faster transportation to job sites.

### Dual Pneumatic Jockey Wheels

Heavy-duty jockey wheels balance the TMZ for precise positioning of the machine during setup and transportation.

### Multi-Position Outrigger Deployment and Multi-Position Outrigger Jacks

The outrigger deployment system and telescopic outrigger jacks both feature multiple positions, providing a leveling capability of more than 12 degrees. This is twice the leveling capability of most competitive models. Multiple outrigger positions help compensate for uneven terrain and significantly reduce setup time. (manual outrigger system only)

### Simultaneous Down Function

Simultaneous down function provides the ability to lower both boom sections at the same time, providing quicker overall descent time for higher productivity.

### Swing-Out Component Trays

Swing-out trays provide the best accessibility to batteries in the industry. Lockable, hinged covers provide security.

### Easy-to-Read Controls

Both ground controls and platform controls feature an easy-to-use system. The control buttons are logically positioned around an image of the machine for easy identification of button functions.

### Generator Interface Area

Generators up to 24 x 20 x 16½ in (61 x 51 x 42 cm) fit perfectly in the TMZ's generator interface area. The junction box and shelf are standard.

## Options and Accessories

### Hydraulic Outriggers with Automatic Leveling System

The exclusive Genie Automatic Leveling System is "self-leveling" and provides 10-degree leveling capability. This system allows the operator to hydraulically deploy the outriggers and automatically level the machine from the ground controls. Machine setup can be completed in less than 30 seconds when the operator deploys all four outriggers simultaneously.

The system self-levels the machine to 1 degree in all directions. The level sensor alarm will not sound unless the machine is over 2 ½ degrees out of level. This built-in tolerance provides resistance to level sensor "nuisance tripping," which can be a common occurrence on other trailer mounted booms.

### Platform Rotation

A manual rotate mechanism allows the operator to rotate the platform 45 degrees horizontally in each direction.

### Material Lifting

A quick-disconnect platform and material lift hook attachment allow you to easily convert the Genie TMZ-34/19 into a material lift capable of raising 500 lb (227 kg).



Easy to Transport



Fits through standard double doors



Material Lifting Option



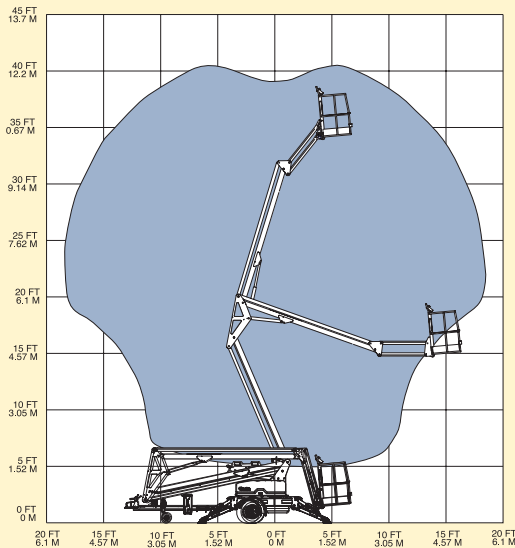
Optional Hydraulic Outriggers with Automatic Leveling System



## Standard Features

- 40 ft (12.36 m) working height
- 19 ft (5.8 m) horizontal reach
- Articulating jib has 135° working range
- 500 lb (227 kg) lift capacity
- Outrigger interlocks
- Large, 8 in (20 cm) outrigger footpads
- Non-marking footpad covers
- Junction box, shelf and tie-down attachment points to accommodate generators up to 24 x 20 x 16 ½ in (61 x 51 x 42 cm)
- AC wiring to platform
- Surge brakes
- Parking brake
- Horn
- Hour meter

## Range of Motion

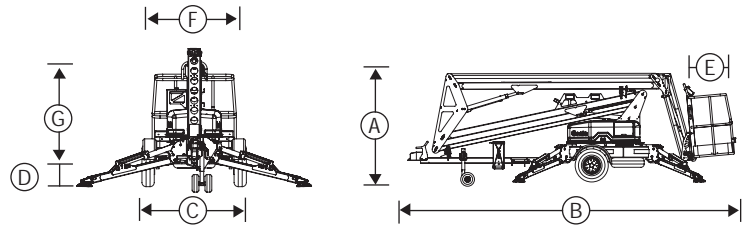


## Options and Accessories

- Hydraulic outriggers with automatic leveling system
- Platform rotation
- Material lift attachment device
- Air line to platform
- Spare tire
- Fluorescent tube caddy
- Mechanical surge brakes
- Warning light
- Combination hitch
- A variety of hitches are available
- Tool tray

## Standards Compliance

- ANSI A92.2
- CAN/CSA-C225-M88
- CE
- AS 1418.10



## Specifications

Model	US	Metric
Working height*	40 ft	12.36 m
Platform height	34 ft	10.36 m
(A) Height - stowed	77 ½ in	1.97 m
(B) Length - stowed	19 ft 9 in	6 m
(C) Width	59.5 in	1.51 m
(D) Ground clearance	9 ½ in	24 cm
(E) Platform length	32 in	81 cm
(F) Platform width	48 in	1.22 m
(G) Platform railing height	44 in	1.12 m
Toeboard height	7 in	18 cm
Toeboard height - entry	4 in	10 cm
Entry height	18 in	46 cm
Horizontal reach - from pivot	19 ft	5.8 m
Horizontal reach - from edge of outrigger footpads	14 ft	4.27 m
Outrigger footprint - length	11 ft	3.35 m
Outrigger footprint - width	10 ft	3.04 m
Leveling capability - manual outriggers	12°	12°
- hydraulic outriggers	10°	10°
Lift capacity - ANSI, CE	500 lb	227 kg
- CSA, ANSI or CE models with platform rotation option	440 lb	200 kg
Turntable rotation	359° non-continuous	
Towing speed rating	60 mph	97 km/h
Power source	24V DC	
AC wiring to platform	standard	
Tongue weight - Domestic	165 lb	75 kg
- European	220 lb	100 kg
Tire size - Domestic	195/75 D14	
- European	195/65 R15	
Surge brakes	standard	
Parking brake	standard	
**Net machine weight		
(manual outriggers)	3,110 lb	1,411 kg
(hydraulic outriggers)	3,185 lb	1,445 kg

\*The metric equivalent of working height adds 2 m to platform height. U.S. adds 6 ft to platform height.

\*\*Weight will vary depending on options and/or country standards.

Distributed By:



## Genie Industries

One Source Equipment  
Keller, TX 76248  
817.271.0405

<http://www.onesourceequipment.com>