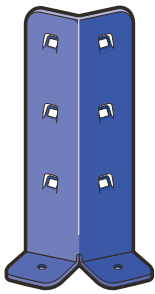


Assembly Instructions

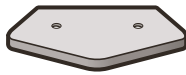


Parts List

(8) Steel Stands



(8) Rubber Foot Pads



(16) Screws



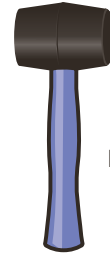
(16) Barrel Nuts



(24) Vinyl Rails



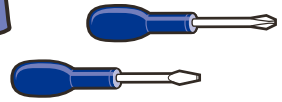
Required Tools



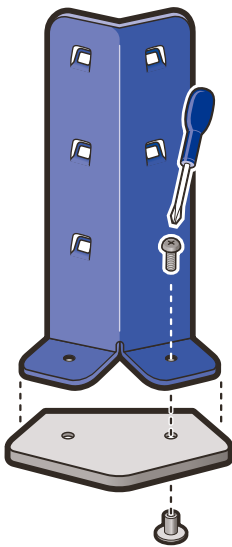
Rubber Mallet
(using a metal hammer will void the warranty)

Phillips Screwdriver
(install non-skid floor pads)

Large Slot Screwdriver
(for disassembly)

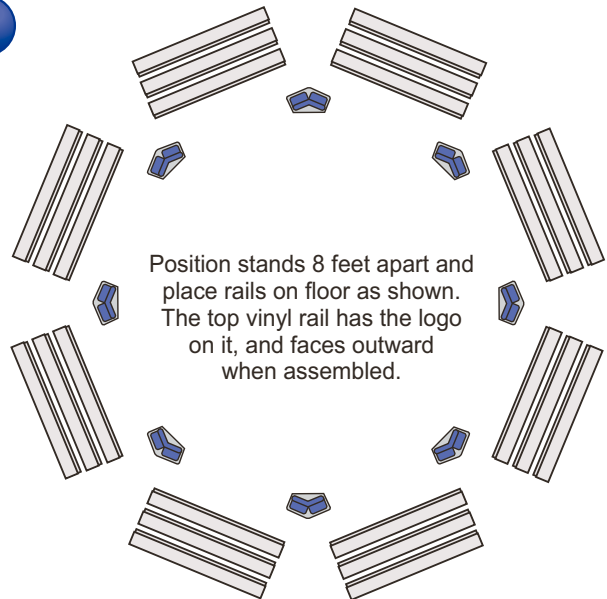


1



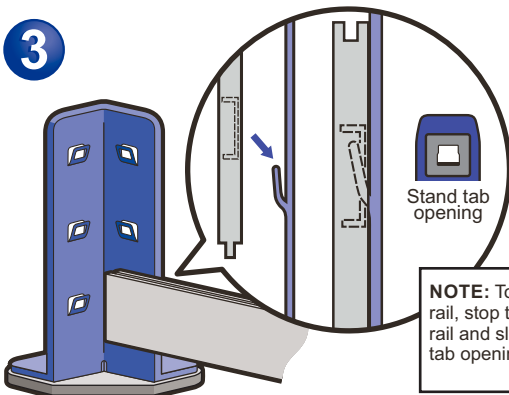
Logo faces down on rubber foot pad

2



Position stands 8 feet apart and place rails on floor as shown. The top vinyl rail has the logo on it, and faces outward when assembled.

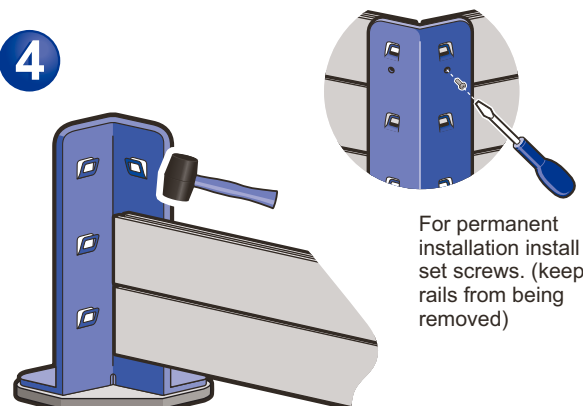
3



NOTE: To avoid damaging vinyl rail, stop tapping when white vinyl rail and slot appear in the stand tab opening as shown above.

Starting with the lowest rail and with the tongue down and groove up, align the rail opening with the stand tab. Push into place. Tap with a rubber mallet to secure vinyl rail to stand.

4

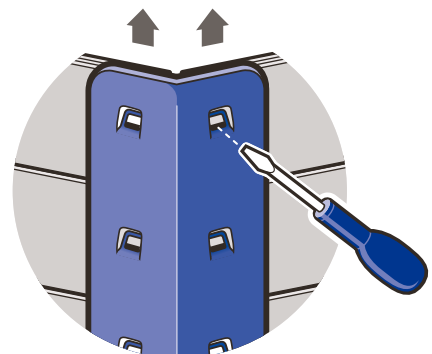


For permanent installation install set screws. (keeps rails from being removed)

Assemble all (8) bottom rails first. Next assemble the second row and last the third row. Secure and interlock vinyl rails by tapping with rubber mallet.



Congratulations!
Your Octopit is ready



DISASSEMBLY: Insert large slot screwdriver into the tab opening as shown. Push up on screwdriver and the vinyl rail will lift. Remove rail by hand.