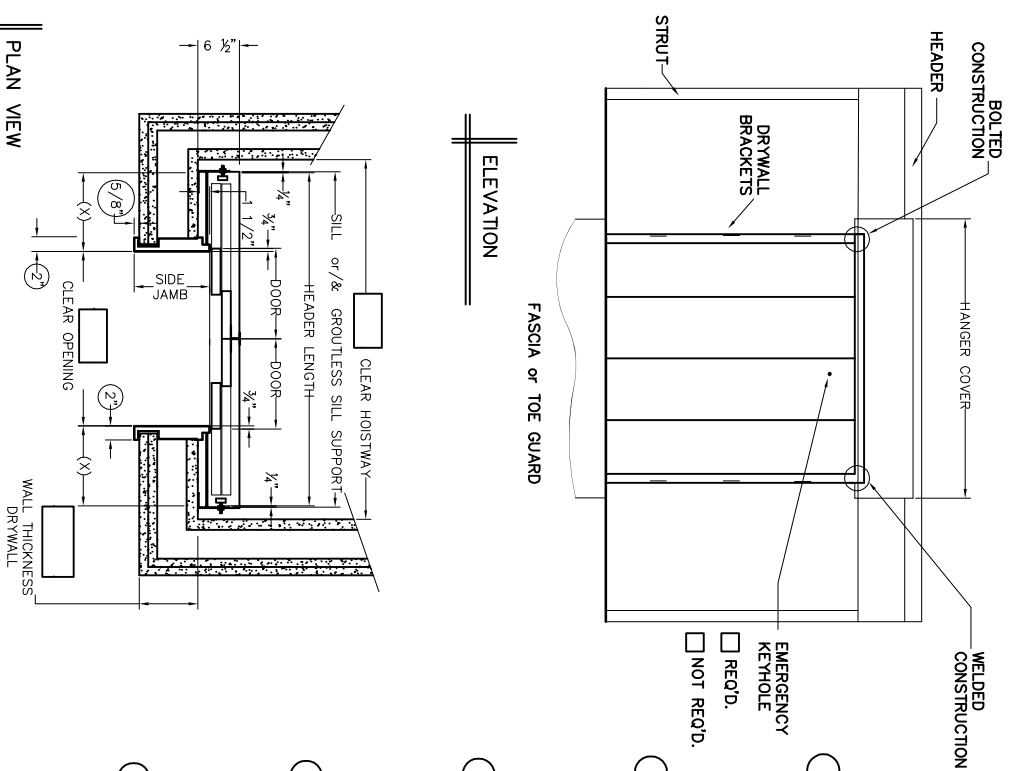
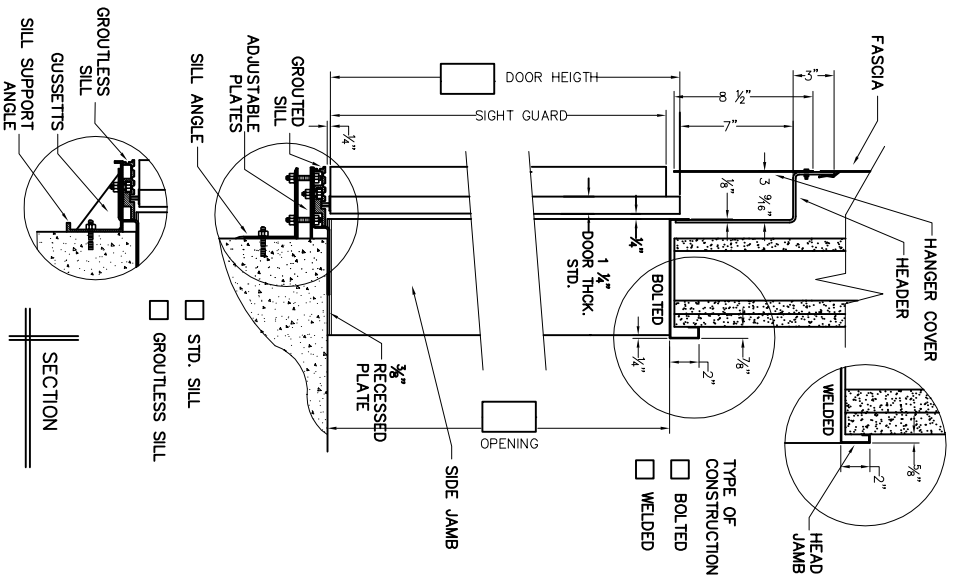
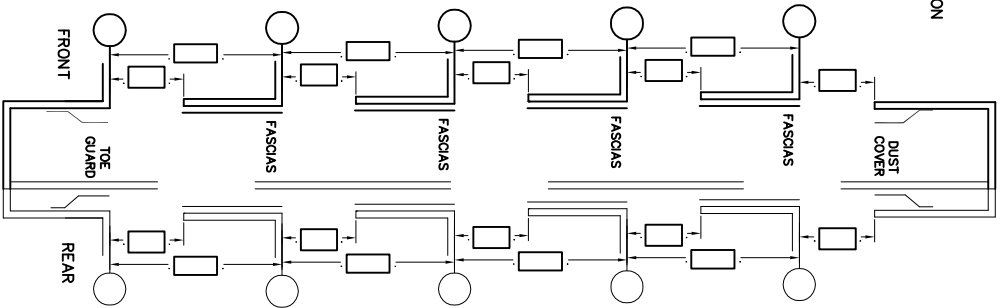


# SURVEY SHEET. CENTER OPENING 2 SPD DRYWALL ENTRANCE



SETS OF ENTRANCE. C.O 2 SPD AS SHOWN



- FRONT
- REAR
- SIDE
- 1 SHAFT
- 2 SHAFTS
- 3 SHAFTS
- OTHER

**NOTES:**

---



---



---



---



---

**REVISION AND PRINT RECORD**

REV	PRINTS	ISSUES	TO	DATE	FOR

OPENING: \_\_\_\_\_ x \_\_\_\_\_ TYPE:  LH  RH

SETS QTY: \_\_\_\_\_

**C.O 2 SPD, DRY WALL ENTRANCE**

**FRAMES:** MATERIAL CONSTRUCTION:  BOLTED  WELDED

2" SIDE JAMB  2" HEAD JAMB

1/2" LABEL (1 PER FRAME)

1/2" LABEL (1 PER JAMB / ONLY C.O.)

**FINISH:** \_\_\_\_\_

**HANGER COVER:** \_\_\_\_\_

**HEADER LENGTH:** \_\_\_\_\_

**DOOR PANELS:** \_\_\_\_\_ THICK x \_\_\_\_\_ WIDE x \_\_\_\_\_ HEIGHT

**FINISH:** \_\_\_\_\_

1/2" LABEL (1 PER PANEL DOOR)

WITHOUT 1/2" LABEL

**SIGHT GUARD:** \_\_\_\_\_

**FINISH:** \_\_\_\_\_

**SILL:**  STD. MATERIAL: \_\_\_\_\_

GROUTLESS

**SAFETY GRAB (1 PER PANEL DOOR)**

**GRABS (2 PER PANEL DOOR)**

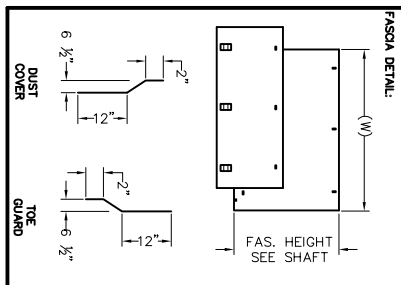
**DRILLING DATA:**

FLOOR NO.	FIN-U-FIN-U	FIN-U	FIN-U	FIN-U	FIN-U	FIN-U	FIN-U	FIN-U	FIN-U	FIN-U

**WALL CONSTRUCTION:** \_\_\_\_\_ THICK

**DOOR WEIGHT:**  REQ'D  NOT REQ'D

**BRASS PLATE:**  REQ'D  NOT REQ'D



**KOHTLER**  
**ELEVATOR INDUSTRIES**

41189 NW 138 Street, OPA-1000X, Florida 33004  
PHONE: (305) 987-7037 Fax: (305) 989-0106  
INFO@KOHTLER.COM WWW.KOHTLER.COM

**CUSTOMER:** \_\_\_\_\_

**JOB NAME:** \_\_\_\_\_

**LOCATION:** \_\_\_\_\_

**SCALE:** NONE

**JOB NO.:** \_\_\_\_\_ **ORDER NO.:** \_\_\_\_\_ **SHEET NO.:** \_\_\_\_\_