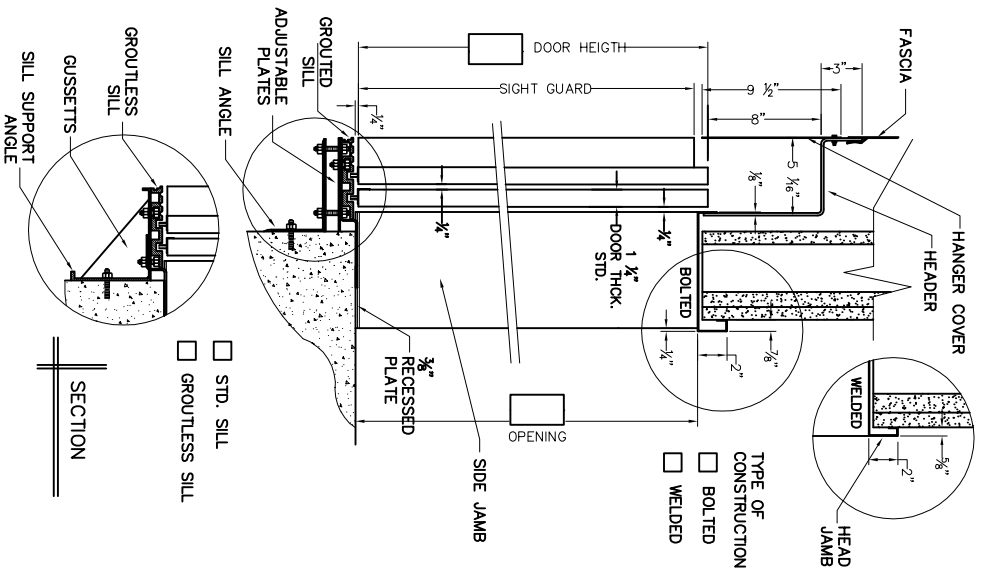


# SURVEY SHEET. TWO SPEED DRYWALL ENTRANCE



NOTES:

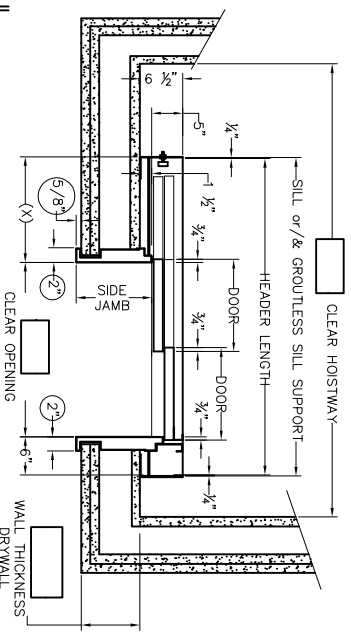
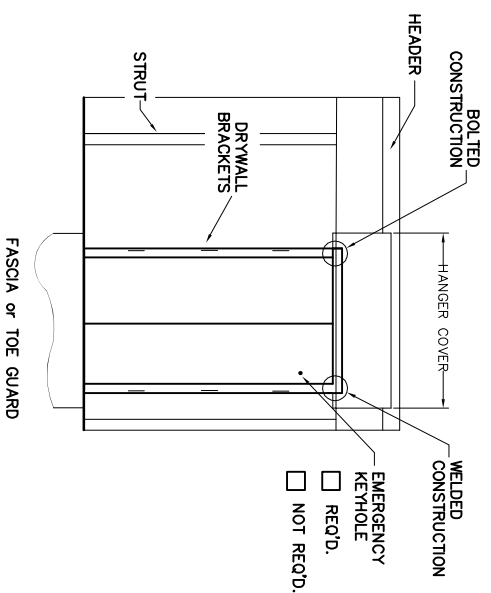
\_\_\_\_\_

\_\_\_\_\_

\_\_\_\_\_

\_\_\_\_\_

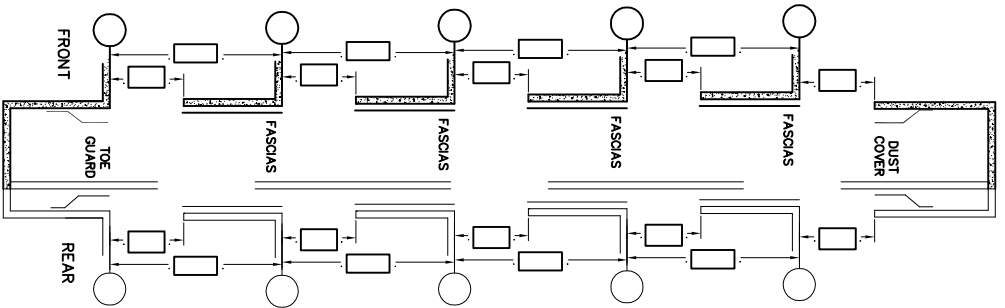
\_\_\_\_\_



PLAN VIEW

SETS OF ENTRANCE. R.H 2 SPD AS SHOWN

SETS OF ENTRANCE. L.H 2 SPD OPPOSITE



- FRONT
- REAR
- SIDE
- 1 SHAFT
- 2 SHAFTS
- 3 SHAFTS
- OTHER

REVISION AND PRINT RECORD			
REV	PRINTS	ISSUED TO	DATE FOR

OPENING: \_\_\_\_\_ x \_\_\_\_\_ TYPE:  LH  RH

SETS QTY: \_\_\_\_\_

**TWO SPEED DRY WALL ENTRANCE**

FRAMES: MATERIAL CONSTRUCTION:  BOLTED  WELDED

1/4" LABEL (1 PER JAMB)

1/2" LABEL (1 PER JAMB / ONLY CA.)

FINISH: \_\_\_\_\_

HANGER COVER: \_\_\_\_\_

HEADER LENGTH: \_\_\_\_\_

DOOR PANELS: \_\_\_\_\_ THICK x \_\_\_\_\_ WIDE x \_\_\_\_\_ HEIGHT

FINISH: \_\_\_\_\_

1/4" LABEL (1 PER PANEL DOOR)

WITHOUT 1/4" LABEL

SIGHT GUARD: \_\_\_\_\_

FINISH: \_\_\_\_\_

SILL:  STD. MATERIAL: \_\_\_\_\_

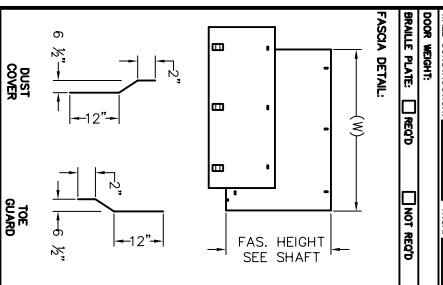
GROUTLESS

SAFETY GRAB (1 PER PANEL DOOR)

GRABS (2 PER PANEL DOOR)

DRILLING DATA: \_\_\_\_\_

FLOOR NO.	FIN.-FIN.	FIN.-FIN.	FIN.-FIN.	FIN.-FIN.	FIN.-FIN.	FIN.-FIN.	FIN.-FIN.



**KOHLER**

**ELEVATOR INDUSTRIES**

41189 NW 138 Street, OPA-1000X, Florida, 33004

PHONE (800)877-7077 • FAX (305)988-0100

INTERNET: WWW.KOHLER.COM • WWW.ELEVATOR.COM

CUSTOMER: \_\_\_\_\_

JOB NAME: \_\_\_\_\_

LOCATION: \_\_\_\_\_

SCALE: NONE

JOB NO. \_\_\_\_\_

ORDER NO. \_\_\_\_\_

SHEET NO. \_\_\_\_\_