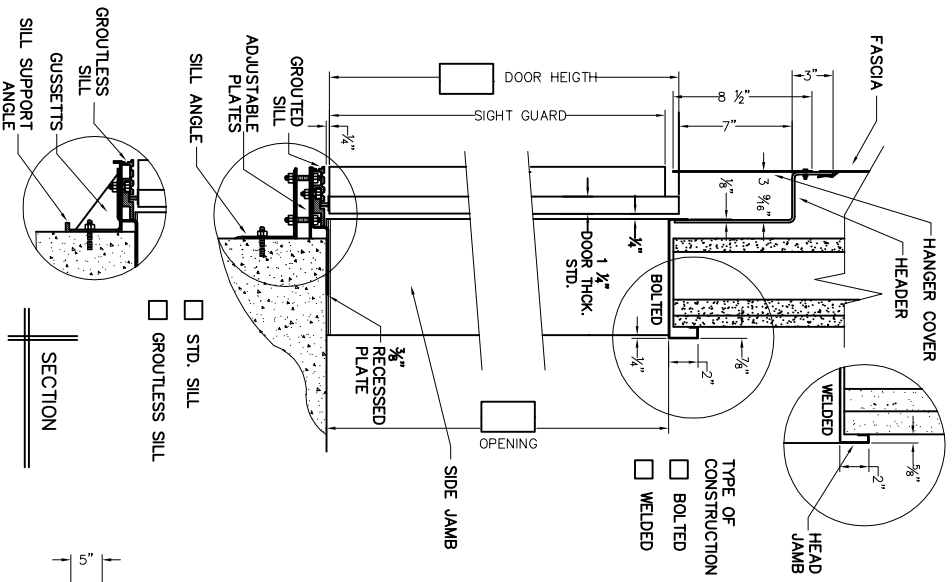
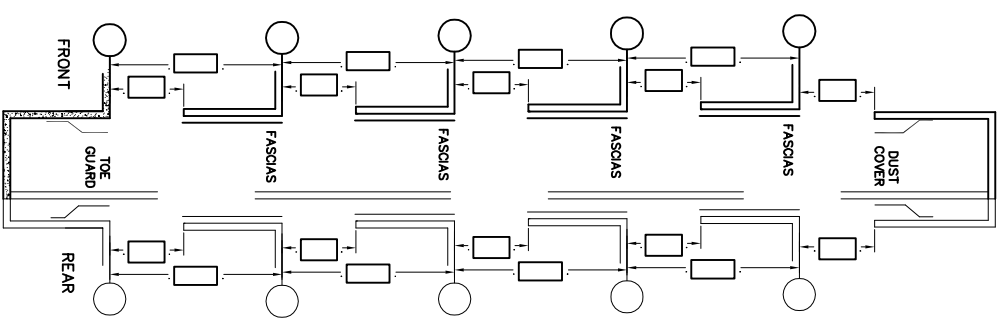
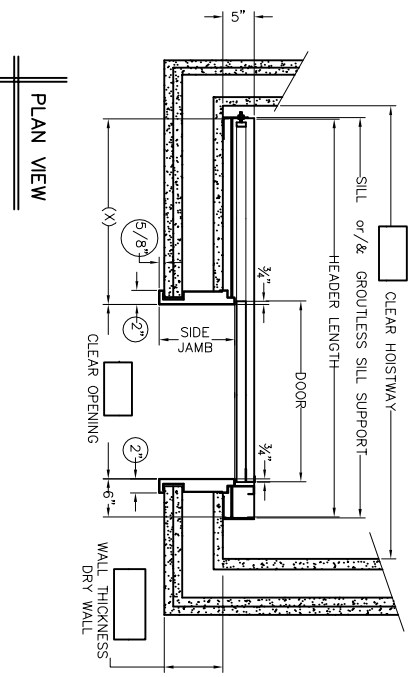
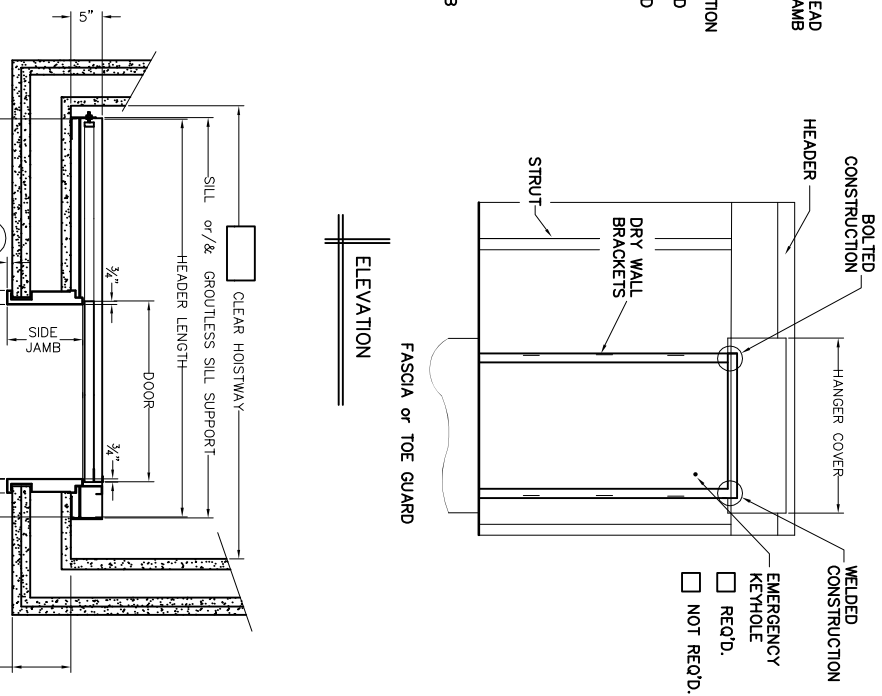


# SURVEY SHEET. SINGLE SLIDE DRY WALL ENTRANCE



TYPE OF CONSTRUCTION  
 BOLTED  
 WELDED



NOTES:

---



---



---



---



---

SETS OF ENTRANCE. R.H 1 SPD AS SHOWN  
 SETS OF ENTRANCE. L.H 1 SPD OPPOSITE

REVISION AND PRINT RECORD			
REV	PRINTS	ISSUES	TO DATE

OPENING: \_\_\_\_\_ x \_\_\_\_\_ TYPE:  LH  RH  
 SETS QTY: \_\_\_\_\_

SINGLE SLIDE DRY WALL ENTRANCE

FRAMES: MATERIAL CONSTRUCTION:  BOLTED  WELDED

2" SILE JAMB  2" HEAD JAMB  
 1/4" LABEL (1 PER FRAME)  
 1/4" LABEL (1 PER JAMB / ONLY C.A.)

FINISH: \_\_\_\_\_  
 HANGER COVER: \_\_\_\_\_  
 HEADER LENGTH: \_\_\_\_\_  
 DOOR PANELS: \_\_\_\_\_ THICK x \_\_\_\_\_ WIDE x \_\_\_\_\_ HEIGHT

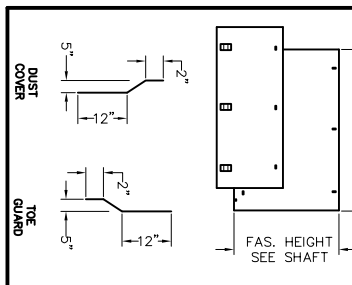
FINISH: \_\_\_\_\_  
 1/4" LABEL (1 PER PANEL DOOR)  
 WITHOUT 1/4" LABEL

SIGHT GUARD: \_\_\_\_\_  
 FINISH: \_\_\_\_\_  
 SILL:  STD. MATERIAL: \_\_\_\_\_  
 GROUiless

SAFETY GEAR (1 PER PANEL DOOR)  
 GIBBS (2 PER PANEL DOOR)  
 OBLONG DATA: \_\_\_\_\_

FLOOR NO. \_\_\_\_\_  
 FIN.-FIN.UL \_\_\_\_\_  
 STRUT \_\_\_\_\_  
 STRUT EXT. \_\_\_\_\_

WALL CONSTRUCTION: \_\_\_\_\_ THICK \_\_\_\_\_  
 DOOR WEIGHT: \_\_\_\_\_  
 BRALLIE FLATE:  REQ'D  NOT REQ'D



**KOHTLER ELEVATOR INDUSTRIES**  
 4115B NW 132 Street, OPA-DUCK, Florida 33064  
 PHONE: (305) 987-7037 • Fax: (305) 988-0106  
 INFO@KOHTLER.COM • WWW.KOHTLER.COM

CUSTOMER: \_\_\_\_\_  
 JOB NAME: \_\_\_\_\_  
 LOCATION: \_\_\_\_\_  
 SCALE: NONE

JOB NO. \_\_\_\_\_ P-ORDER NO. \_\_\_\_\_ SHEET NO. \_\_\_\_\_