

# SURVEY SHEET. CENTER OPENING 2 SPD MASONRY ENTRANCE

REVISION AND PRINT RECORD

REV	PRINTS	ISSUED	TO	DATE	FOR

OPENING \_\_\_\_\_ x \_\_\_\_\_  
SETS DTT: \_\_\_\_\_

CENTER OPENING 2 SPD.  
MASONRY ENTRANCE

FRAMES: \_\_\_\_\_  
MATERIAL CONSTRUCTION:  BOLTED  WELDED

FINISH: \_\_\_\_\_  
HANGER COVER: \_\_\_\_\_  
HEADER LENGTH: \_\_\_\_\_  
DOOR PANELS: \_\_\_\_\_ THICK x \_\_\_\_\_ WIDE x \_\_\_\_\_ HEIGHT

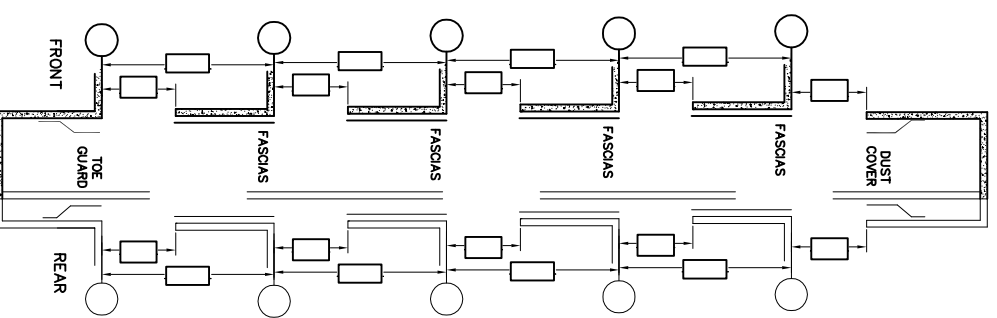
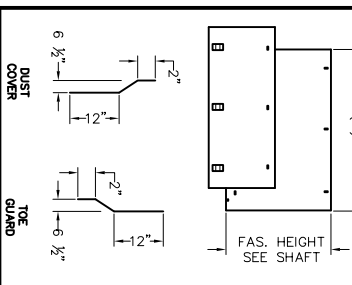
FRAMES:  "U" LABEL (1 PER PANEL DOOR)  WITHOUT "U" LABEL  
SIGHT GUARD: \_\_\_\_\_

FINISH: \_\_\_\_\_  
SILL:  STD.  GROUTLESS  
SAFETY GRAB (1 PER PANEL DOOR) \_\_\_\_\_  
GRABS (2 PER PANEL DOOR) \_\_\_\_\_  
DRILLING DATA: \_\_\_\_\_

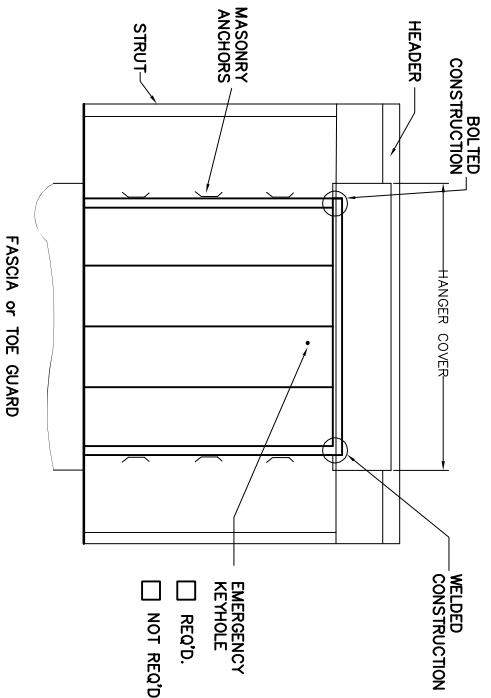
FLOOR NO. \_\_\_\_\_  
FIN.-FIN. \_\_\_\_\_  
STRUT \_\_\_\_\_  
STRUT EXT. \_\_\_\_\_

WALL CONSTRUCTION: \_\_\_\_\_ THICK \_\_\_\_\_  
DOOR WEIGHT: \_\_\_\_\_  
BRACE FLATE:  REQ'D  NOT REQ'D

FASCIA DETAIL: \_\_\_\_\_  
FAS. HEIGHT SEE SHAFT

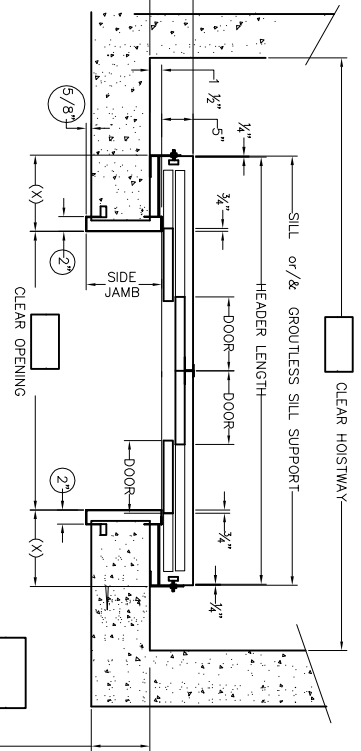


- FRONT  1 SHAFT
- REAR  2 SHAFTS
- SIDE  3 SHAFTS
- OTHER



- EMERGENCY KEYHOLE
- REQ'D.
- NOT REQ'D.

ELEVATION



PLAN VIEW

SETS OF ENTRANCE. C.O 2 SPD AS SHOWN

NOTES:

---



---



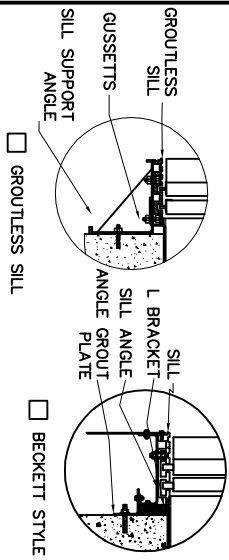
---



---



---



**KOHTLER**  
**ELEVATOR INDUSTRIES**

41189 NW 128 Street, OPA-1000X, Florida 33004  
PHONE: (305)987-7037 • Fax: (305)986-0100  
INFO@KOHTLER.COM • WWW.KOHTLER.COM

CUSTOMER: \_\_\_\_\_  
JOB NAME: \_\_\_\_\_  
LOCATION: \_\_\_\_\_  
SCALE: NONE

JOB NO.	P-ORDER NO.	SHEET NO.
---------	-------------	-----------