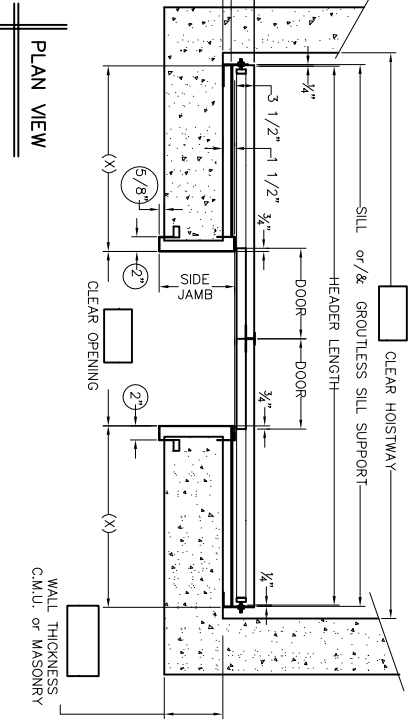
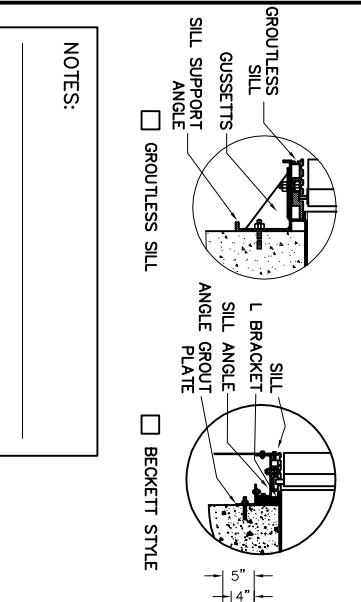
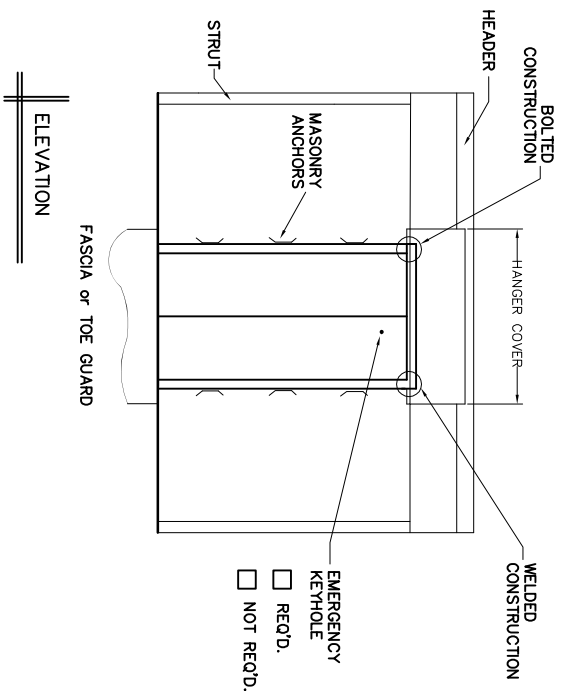
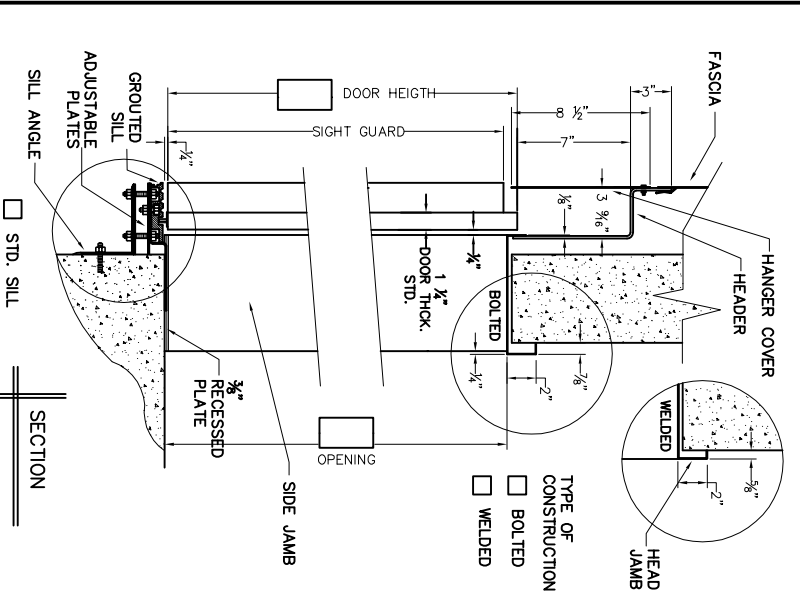
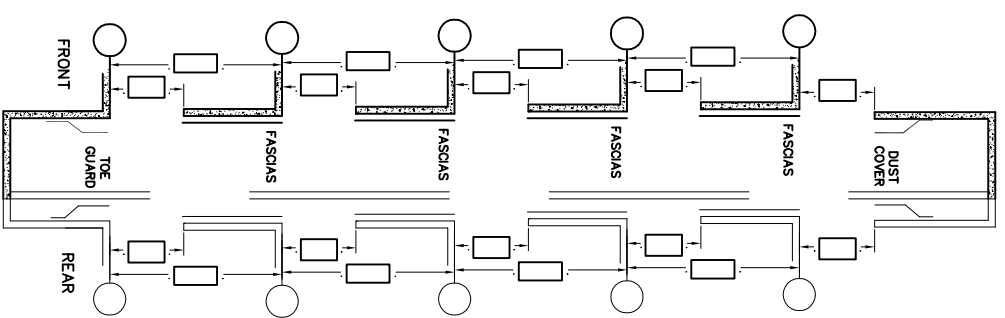


SURVEY SHEET, CENTER OPENING 1 SPD MASONRY ENTRANCE



SETS OF ENTRANCE. C.O 1 SPD AS SHOWN



- FRONT
- REAR
- SIDE
- 1 SHAFT
- 2 SHAFTS
- 3 SHAFTS
- OTHER

REVISION AND PRINT RECORD			
REV	PRINTS	ISSUED TO	DATE FOR

OPENING: _____ x _____

SETS OF: _____

CENTER OPENING 1 SPD.
MASONRY ENTRANCE

FRAMES: BOLTED WELDED

MATERIAL CONSTRUCTION: WELDED

(2) SIDE JAMB (2) HEAD JAMB

FINISH: _____

HANGER COVER: _____

HEADER LENGTH: _____

DOOR PANELS: _____ THICK x _____ WIDE x _____ HEIGHT

FINISH: _____

"UL" LABEL (1 PER PANEL DOOR)

WITHOUT "UL" LABEL

SIGHT GUARD: _____

FINISH: _____

SILL: STD. MATERIAL: _____

GROUTLESS

SAFETY GRAB (1 PER PANEL DOOR)

GRABS (2 PER PANEL DOOR)

DRILLING DATA: _____

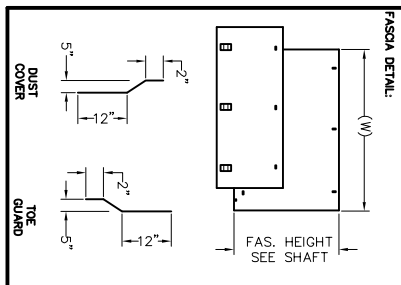
FLOOR NO.	FIN.-FIN.	FIN.-FIN.	FIN.-FIN.	FIN.-FIN.	FIN.-FIN.	FIN.-FIN.

WALL CONSTRUCTION: _____ THICK.

DOOR WEIGHT: REQ'D NOT REQ'D

BRALLE FLATE: REQ'D NOT REQ'D

FASCIA DETAIL: _____



KOHTLER
ELEVATOR INDUSTRIES

4118B HW 132 Street, OPA-DOCA, Florida 33064
PHONE: (305) 987-7037 • Fax: (305) 989-4106
INFO@KOHTLER.COM • WWW.KOHTLER.COM

CUSTOMER: _____

JOB NAME: _____

LOCATION: _____

SCALE: NONE

JOB NO. _____

ORDER NO. _____

SHEET NO. _____