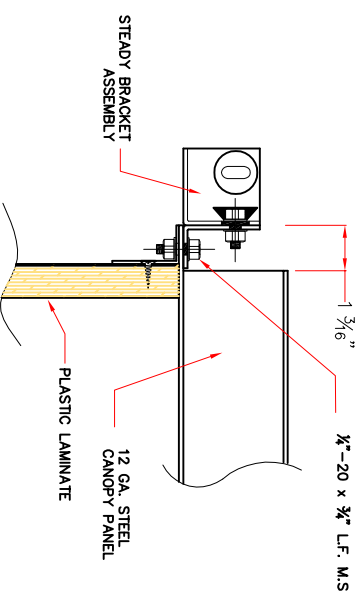
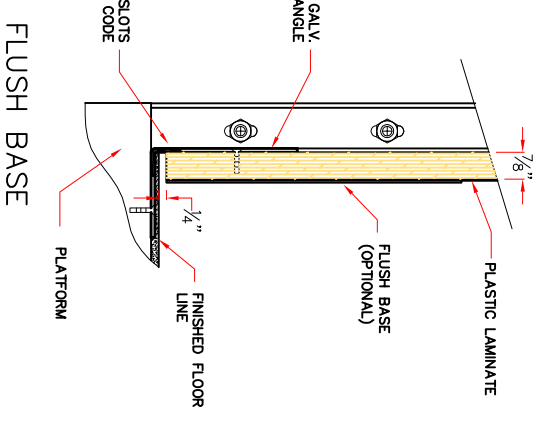
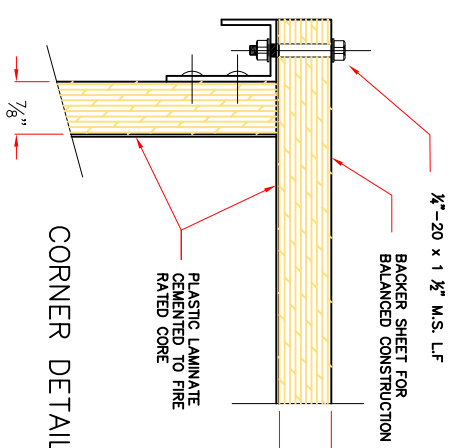
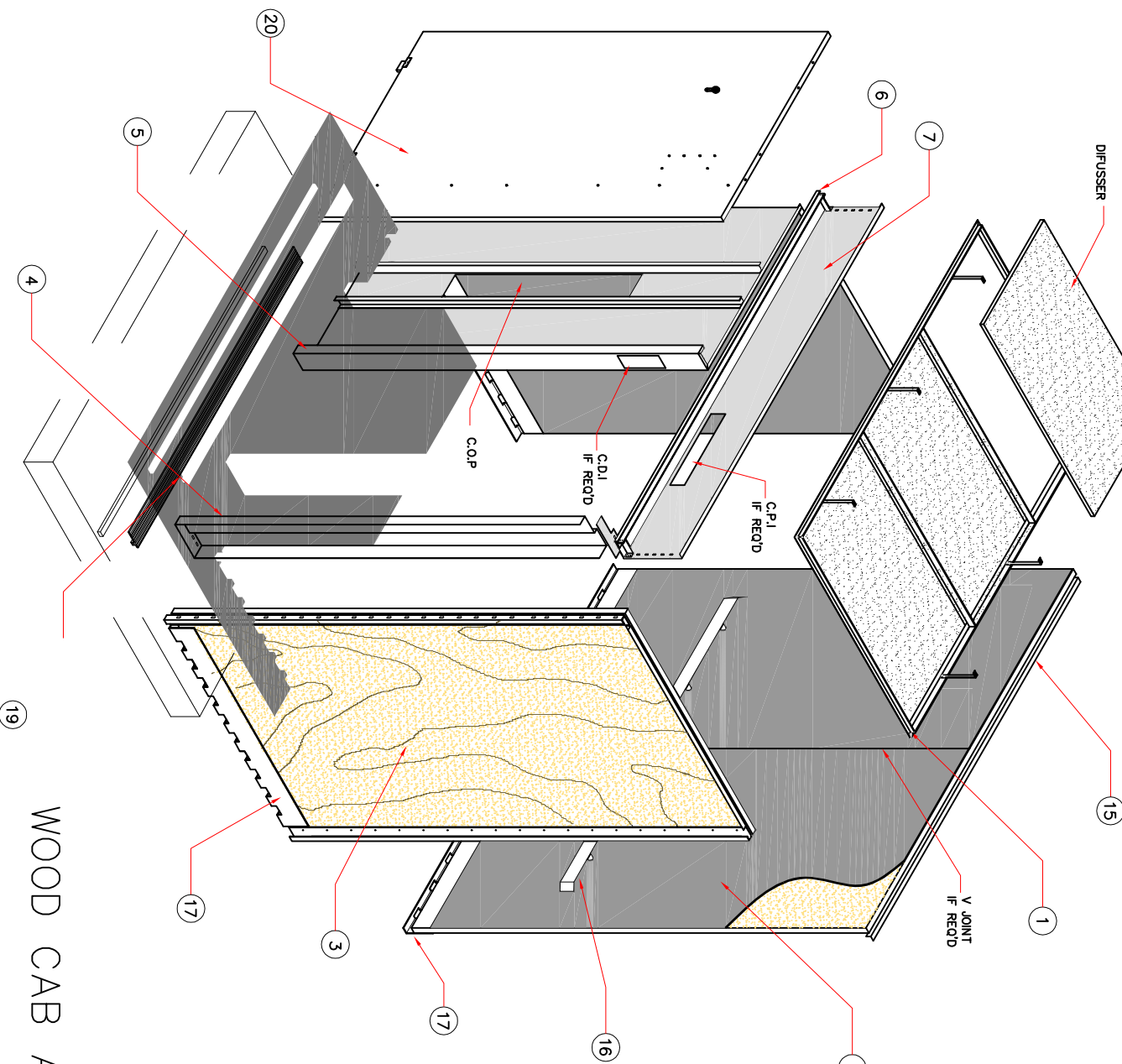


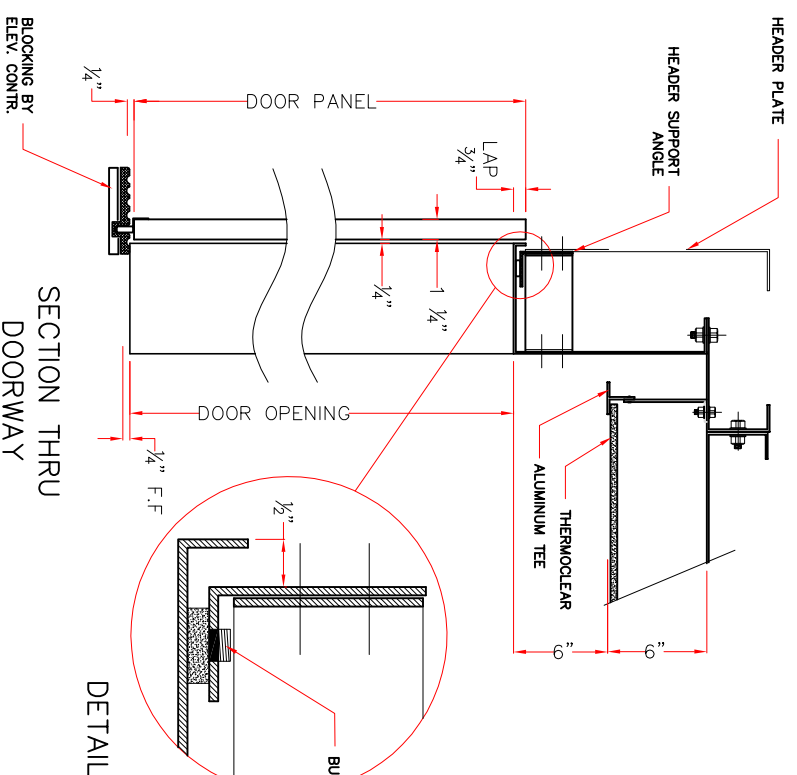
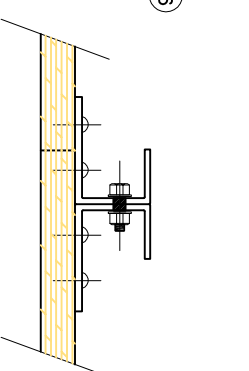
STEADY BRACKET ASSEMBLY DETAIL 9



CANOPY TO CAB CONNECTION



SPLIT WALL IF REQ'D



DETAIL

COMPONENT LIST:

1-CEILING FRAME AND DIFFUSER PANEL			
2-REAR WALL PANEL			
3-SIDE WALL PANEL			
4-STRIKE JAMB			
5-RETURN JAMB			
6-HEADER SUPPORT			
7-TRANSOM			
8-LIGHT FIXTURE DOUBLE SIDE MOUNTING			
9-STEADY BRACKET ASSEMBLY			
10-LIGHT JUNCTION BOX			
11-WING NUTS PREVENT TOPEXT FROM BEING OPENED FROM WITHIN THE CAB			
12-EXIT			
13-FAN (OPTIONAL)			
14-HOISTING BRACKETS			
15-CANOPY MOUNTING ANGLES			
16-HANDRAILS W/ SPACER (OPTIONAL)			
17-BASE MOUNTING ANGLES W/VENTILATION SLOTS			
18-CANOPY			
19-SILL			
20-CAR DOOR			

HARDWARE LIST

DESCRIPTION	ITEM	TYPE	QTY.
	FR		F
HEADER TO TRANSOM	6-7	A	8
CEILING TO WALL	18-2-3	A	10
FRONT TO SIDE	4-3	A	18
STRIKE TO SIDE	7-3	A	18
TRANSOM TO CEILING	7-18	A	9
TRANSOM TO RETURN	7-5	A	12
BASE TO FLOOR	17	C	20
STEADY TO CANOPY	9-18	A	8
FAN TO CEILING	13-18	A	4
WALL CORNER TO CORNER	2-3	B	4
			20

A	1/4" -20 LOCK F. x 3/4" M.S. W/ NUTS	(100)
B	1/2" -20 L.F. x 1 1/2" M.S.	(20)
C	# 10 x 1 F.H. S.M.	(20)

GENERAL ASSEMBLY INSTRUCTIONS:

- 1-CHECK ALL CREATES & PACKING LIST FOR ITEMS BACK ORDERED, OR NOT SHIPPED, AND IMMEDIATELY REPORT ANY MISSING ITEMS OR CONCEALED DAMAGES.
- 2-ASSEMBLE AND TIE CANOPY TIGHT AGAINST CROSSHEAD.
- 3-SNAP CHALKLINE 1" AT SIDES AND 3/4" REAR FROM PLATFORM EDGE, ASSUMING 3" DAYLITE.
- 4-MOVE REAR WALL PANEL ONTO PLATFORM AND LEAN AGAINST REAR WALL OF HOISTWAY.
- 5-MOVE SIDE WALLS AND ASSEMBLE TO REAR WALL BY USING 1/2"-20 BOLTS. SEE CORNER DETAIL.
- 6-MOVE RETURN PANEL AND STRIKE JAMB TO PROPER SIDE WALL EDGE AND ASSEMBLE W/ 1/2"-20 BOLTS.
- 7-SLIDE CAB FORWARD AND LINE UP THE OUTSIDE OF THE BASE ANGLE WITH THE CHALKLINE.
- 8-SQUARE CAB WITH FRAMING SQUARE AND INSTALL TRANSOM.
- 9-DOUBLE CHECK CAB POSITION BY CHECKING THE JAMB AND SILL ALIGNMENTS.
- 10-AFTER CAB IS SQUARED AND PROPERLY ALIGNED, SECURE CAB TO PLATFORM.
- 11-LOWER CANOPY ASSEMBLY ONTO POSITION AND SECURE TO CANOPY MOUNTING BRACKET WITH 1/2"-20 BOLTS. SEE CANOPY TO CAB CONNECTION. INSTALL CEILING MATERIAL.
- 12-ASSEMBLE STEADY BRACKETS AS SHOWN IN DETAIL. PLACE RUBBER BUMPERS TIGHT AGAINST STILES AND SECURE TO CANOPY W/ 1/2"-20 BOLTS.
- 13-PRIOR TO HANGING CAR DOOR CHECK FOR BENDS AND/OR TWISTS. IF EITHER IS FOUND CONTACT KOHTLER FOR INSTRUCTIONS.
- 14-MOUNT OPERATOR.
- 15-ANY PROBLEMS OR QUESTION, PLEASE DIAL TOLL FREE 1 - 866 - 506 - 8955.

KOHTLER
ELEVATOR INDUSTRIES

41189 NW 133 Street, OPA-LOCK, Florida 33064
PHONE (305)867-7057 • FAX (305)868-0108
WWW.KOHTLER.COM • WWW.KOHTLER.COM

EXPLODED VIEW OF WOOD CAB WITH FLUSH BASE

DO NOT SCALE DRAWING

DRAWING #:

6041-A

WOOD CAB ASSEMBLY