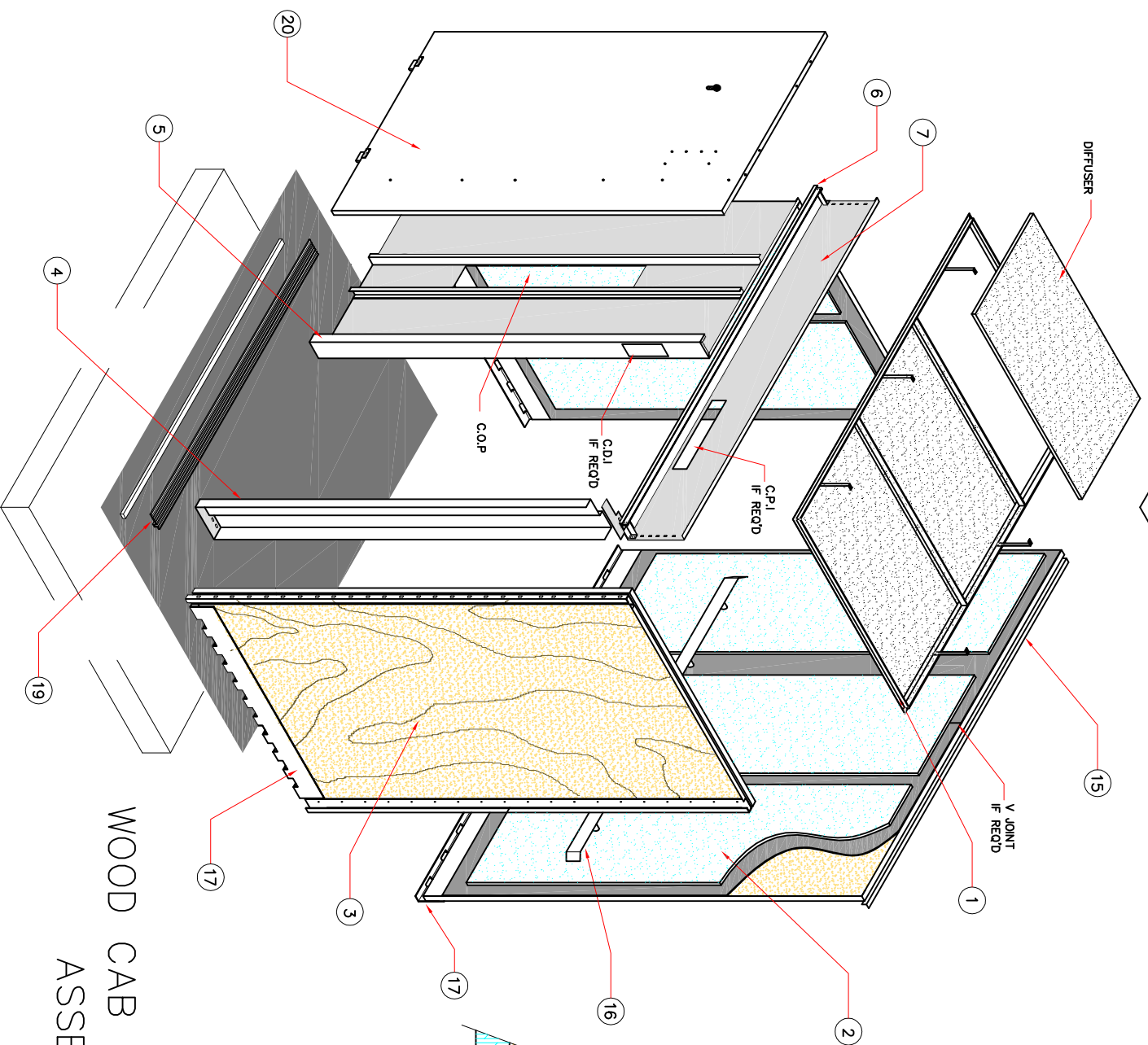
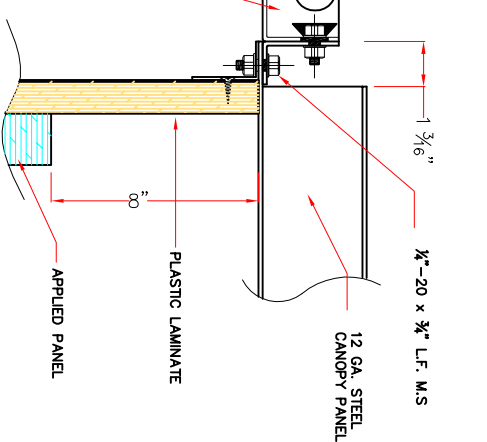
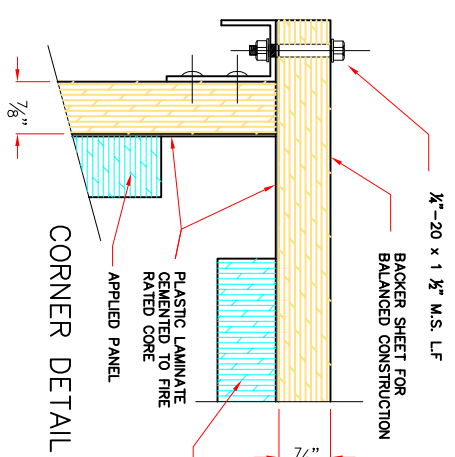


STEADY BRACKET ASSEMBLY DETAIL 9

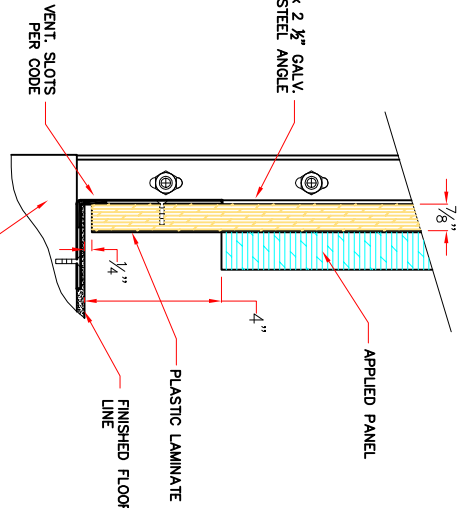
CANOPY TO CAB CONNECTION



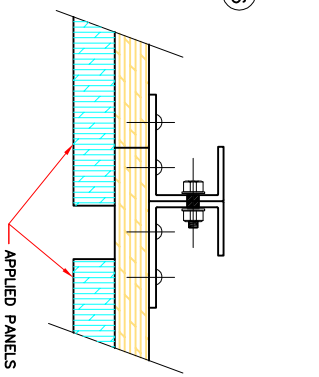
WOOD CAB WITH PANELS ASSEMBLY



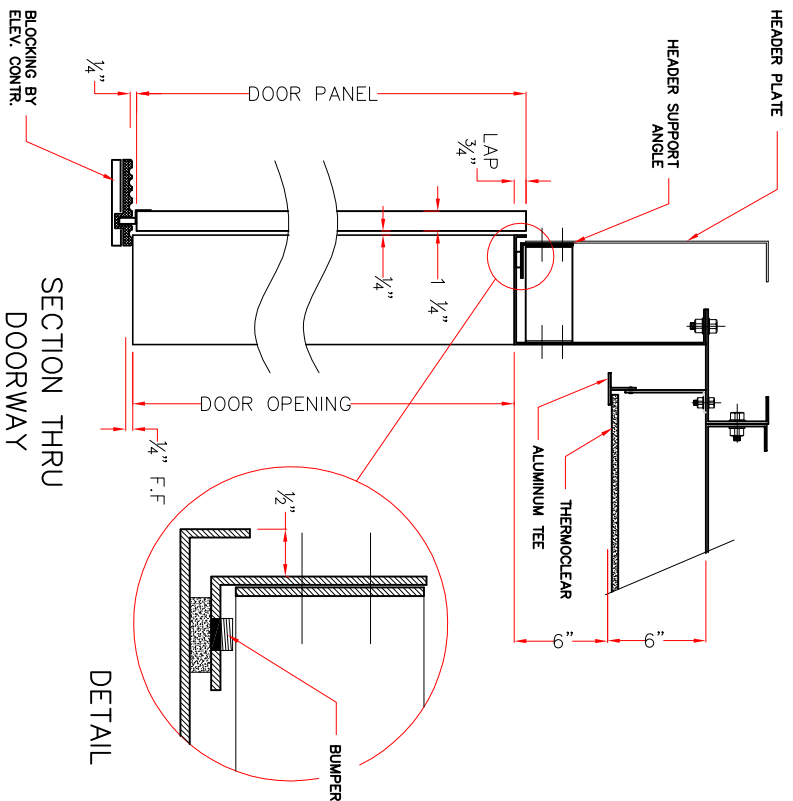
CORNER DETAIL



FLUSH BASE



SPLIT WALL IF RECD



SECTION THRU DOORWAY

DETAIL

COMPONENT LIST:

1-CEILING FRAME AND DIFFUSER PANEL			
2-REAR WALL PANEL			
3-SIDE WALL PANEL			
4-STRIKE JAMB			
5-RETURN JAMB			
6-HEADER SUPPORT			
7-TRANSOM			
8-LIGHT FIXTURE DOUBLE SIDE MOUNTING			
9-STEADY BRACKET ASSEMBLY			
10-LIGHT JUNCTION BOX			
11-WING NUTS PREVENT TOPEXIT FROM BEING OPENED FROM WITHIN THE CAR			
12-EXIT			
13-FAN (OPTIONAL)			
14-HOISTING BRACKETS			
15-CANOPY MOUNTING ANGLES (OPTIONAL)			
16-HANDRAILS W/ SPACER			
17-BASE MOUNTING ANGLES W/VENTILATION SLOTS			
18-CANOPY			
19-SILL			
20-CAR DOOR			

HARDWARE LIST

DESCRIPTION	ITEM	TYPE	QTY.
-HEADER TO TRANSOM	8-7	A	8
-CEILING TO WALL	18-2-3	A	10
-FRONT TO WALL	4-3	A	18
-STRIKE TO SIDE	5-3	A	18
-TRANSOM TO RETURN	7-18	A	18
-BASE TO FLOOR	7-5	A	12
-STEADY TO CANOPY	9-18	C	20
-FAN TO CEILING	13-18	A	8
-WALL CORNER TO CORNER	2-3	A	4
-WALL CORNER TO CORNER	2-3	B	4
-WALL CORNER TO CORNER	2-3	B	20

- A 1/2"-20 LOCK F. x 3/4" M.S (100)
- B 1/2"-20 L.F. x 1 1/2" M.S (20)
- C # 10 x 1 F.H. S.M (20)

GENERAL ASSEMBLY INSTRUCTIONS:

- 1-CHECK ALL ORDERS & PACKING LIST FOR ITEMS BACK ORDERED, OR NOT SHIPPED, AND IMMEDIATELY REPORT ANY MISSING ITEMS OR CONCEALED DAMAGES.
- 2-ASSEMBLE AND THE CANOPY TIGHT AGAINST CROSSHEAD.
- 3-SNAP CHALKLINE 1" AT SIDES AND 3/4" REAR FROM PLATFORM EDGE, ASSUMING 3" DAYLITE.
- 4-MOVE REAR WALL PANEL ONTO PLATFORM AND LEAN AGAINST REAR WALL OF HOISTWAY.
- 5-MOVE SIDE WALLS AND ASSEMBLE TO REAR WALL BY USING 1/2"-20 BOLTS. SEE CORNER DETAIL.
- 6-MOVE RETURN PANEL AND STRIKE JAMB TO PROPER SIDE WALL EDGE AND ASSEMBLE W/ 1/2"-20 BOLTS.
- 7-SIDE CAB FORWARD AND LINE UP THE OUTSIDE OF THE BASE ANGLE WITH THE CHALKLINE.
- 8-SQUARE CAB WITH FRAMING SQUARE AND INSTALL TRANSOM.
- 9-DOUBLE CHECK CAB POSITION BY CHECKING THE JAMB AND SILL ALIGNMENTS.
- 10-AFTER CAB IS SQUARED AND PROPERLY ALIGNED, SECURE CAB TO PLATFORM.
- 11-LOWER CANOPY ASSEMBLY ONTO POSITION AND SECURE TO CANOPY MOUNTING BRACKET WITH 1/2"-20 BOLTS. SEE CANOPY TO CAB CONNECTION. INSTALL CEILING MATERIAL.
- 12-ASSEMBLE STEADY BRACKETS AS SHOWN IN DETAIL. PLACE RUBBER BUMPERS TIGHT AGAINST STILES AND SECURE TO CANOPY W/ 1/2"-20 BOLTS.
- 13-Prior to HANGING CAR DOOR CHECK FOR BENDS AND/OR TWISTS. IF EITHER IS FOUND CONTACT KOHTLER FOR INSTRUCTIONS.
- 14-MOUNT OPERATOR.
- 15-ANY PROBLEMS OR QUESTION, PLEASE DIAL TOLL FREE 1 - 866 - 506 - 8955.

KOHTLER ELEVATOR INDUSTRIES
 41188 NW 132 Street, 074-L03CA, Florida 33064
 PHONE (305)877-0037 • FAX (305)868-0100
 INFO@KOHTLER.COM • WWW.KOHTLER.COM

EXPLODED VIEW OF WOOD CAB WITH PANELS

DO NOT SCALE DRAWING

DRAWING SERIES 6000 #: 6041