

STEADY BRACKET ASSEMBLY DETAIL (9)

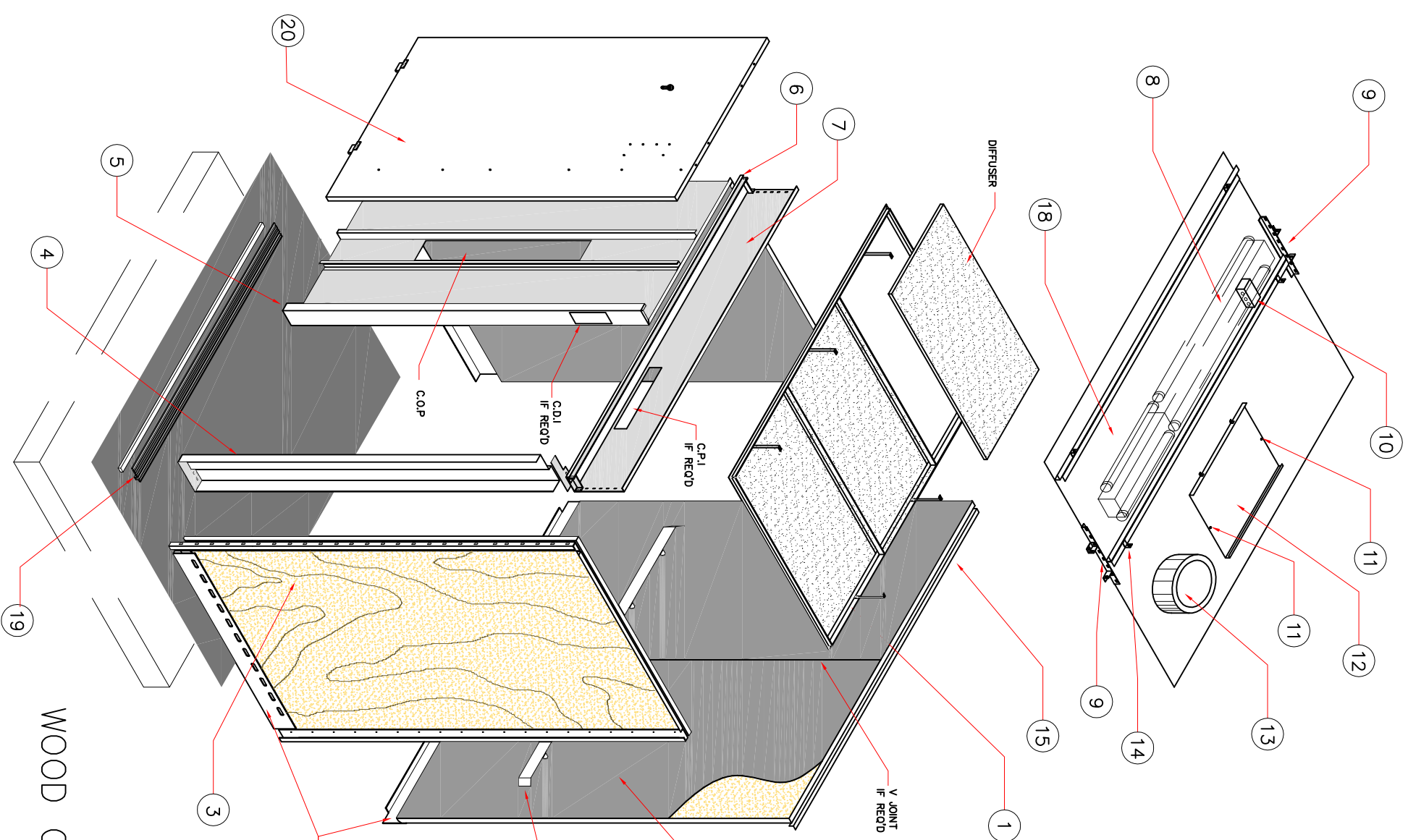
CANOPY TO CAB CONNECTION

COMPONENT LIST:

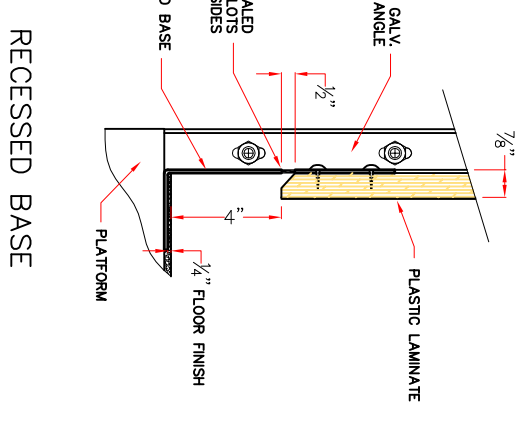
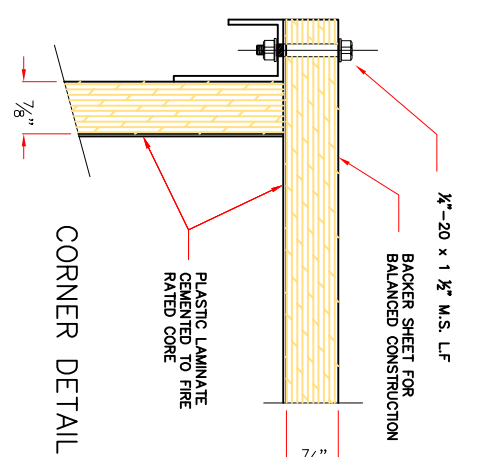
1-CEILING FRAME AND DIFFUSER PANEL	
2-REAR WALL PANEL	
3-SIDE WALL PANEL	
4-STRIKE JAMB	
5-RETURN JAMB	
6-HEADER SUPPORT	
7-TRANSOM	
8-LIGHT FIXTURE DOUBLE SIDE MOUNTING	
9-STEADY BRACKET ASSEMBLY	
10-LIGHT JUNCTION BOX	
11-WING NUTS PREVENT TOPEXIT FROM BEING OPENED FROM WITHIN THE CAR	
12-EXIT	
13-FAN (OPTIONAL)	
14-HOISTING BRACKETS	
15-CANOPY MOUNTING ANGLES	
16-HANDRAILS W/ SPACER (OPTIONAL)	
17-BASE MOUNTING ANGLES W/VENTILATION SLOTS	
18-CANOPY	
19-SILL	
20-CAR DOOR	

HARDWARE LIST

DESCRIPTION	ITEM	TYPE	FR	QTY.
-HEADER TO TRANSOM	6-7	A	FR	8
-CEILING TO WALL	18-2-3	A	FR	16
-FRONT TO SIDE	5-3	A	FR	18
-STRIKE TO SIDE	4-3	A	FR	9
-TRANSOM TO CEILING	7-18	A	FR	9
-TRANSOM TO RETURN	7-5	A	FR	6
-BASE TO FLOOR	17	C	FR	20
-STEADY TO CANOPY	9-18	A	FR	8
-WALL TO CEILING	13-18	A	FR	4
-WALL CORNER TO CORNER	2-3	B	FR	4
A 1/4"-20 LOCK F. x 3/4" M.S. W/ NUTS				(100)
B 1/2"-20 L.F. x 1 1/2" M.S.				(20)
C # 10 x 1 F.H. S.M.				(20)

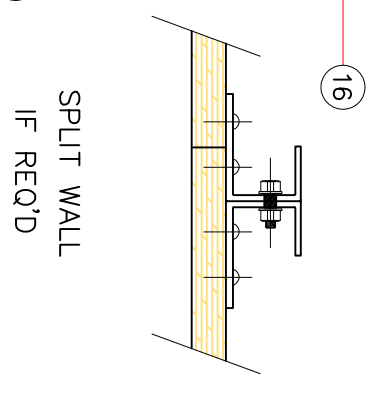


WOOD CAB ASSEMBLY

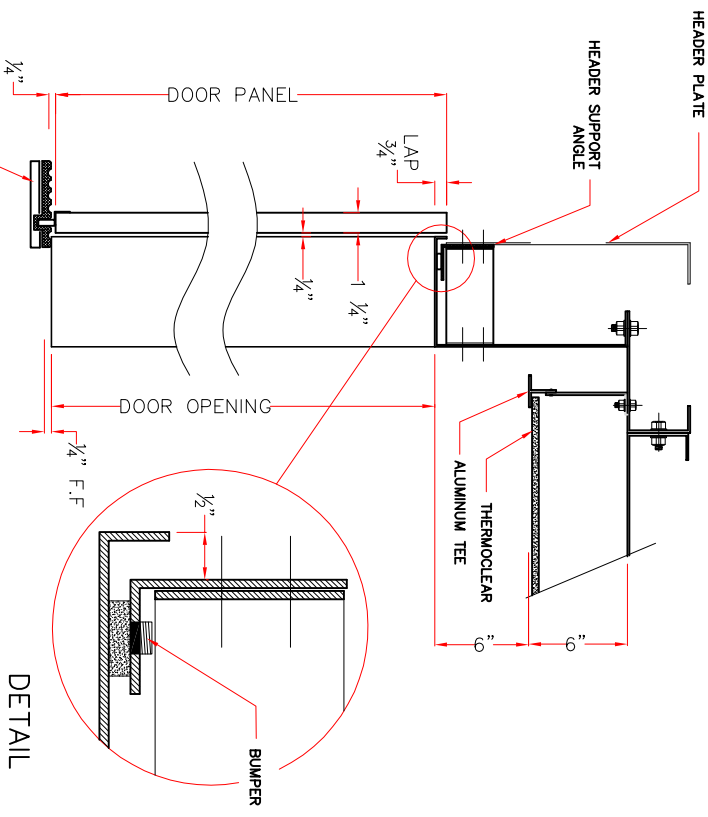


CORNER DETAIL

RECESSED BASE



SPLIT WALL IF REQ'D



SECTION THRU DOORWAY

DETAIL

GENERAL ASSEMBLY INSTRUCTIONS:

- 1-CHECK ALL CREATES & PACKING LIST FOR ITEMS BACK ORDERED, OR NOT SHIPPED, AND IMMEDIATELY REPORT ANY MISSING ITEMS OR CONCEALED DAMAGES.
- 2-ASSEMBLE AND TIE CANOPY TIGHT AGAINST GROSSHEAD.
- 3-SNAP CHALKLINE 1" AT SIDES AND 3/4" REAR FROM PLATFORM EDGE, ASSUMING 3" DAYLITE.
- 4-MOVE REAR WALL PANEL ONTO PLATFORM, AND LEAN AGAINST REAR WALL OF HOISTWAY.
- 5-MOVE SIDE WALLS AND ASSEMBLE TO REAR WALL BY USING 1/2"-20 BOLTS. SEE CORNER DETAIL.
- 6-MOVE RETURN PANEL AND STRIKE JAMB TO PROPER SIDE WALL EDGE AND ASSEMBLE W/ 1/2"-20 BOLTS.
- 7-SLIDE CAB FORWARD AND LINE UP THE OUTSIDE OF THE BASE ANGLE WITH THE CHALKLINE.
- 8-SQUARE CAB WITH FRAMING SQUARE AND INSTALL TRANSOM.
- 9-DOUBLE CHECK CAB POSITION BY CHECKING THE JAMB AND SILL ALIGNMENTS.
- 10-AFTER CAB IS SQUARED AND PROPERLY ALIGNED, SECURE CAB TO PLATFORM.
- 11-LOWER CANOPY ASSEMBLY ONTO POSITION AND SECURE TO CANOPY MOUNTING BRACKET WITH 1/2"-20 BOLTS. SEE CANOPY TO CAB CONNECTION. INSTALL CEILING MATERIAL.
- 12-ASSEMBLE STEADY BRACKETS AS SHOWN IN DETAIL. PLACE RUBBER BUMPERS TIGHT AGAINST STILES AND SECURE TO CANOPY W/ 1/4"-20 BOLTS.
- 13-PRIOR TO HANGING CAR DOOR CHECK FOR BENDS AND/OR TWISTS. IF EITHER IS FOUND CONTACT KOHTLER FOR INSTRUCTIONS.
- 14-MOUNT OPERATOR.
- 15-ANY PROBLEMS OR QUESTION, PLEASE DIAL TOLL FREE 1 - 866 - 506 - 8955.

KOHTLER ELEVATOR INDUSTRIES

41108 NW 132 Street, OPA-LOCKA, Florida 33064
 PHONE: (305)867-7057 • FAX: (305)868-0106
 INFO@KOHTLER.COM • WWW.KOHTLER.COM

EXPLODED VIEW OF WOOD CAB WITH RECESSED BASE

DO NOT SCALE DRAWING

DRAWING #: 6040-B