



Features

- 17" Full Flush LCD Touchscreen
- Intel Celeron N2930 CPU with SoC
- IP66 Rated Fanless Design
- Easy to Clean with Touchscreen On/Off Button
- Resistive or Projected Capacitive Touchscreen
- Optional PoE LAN Port for System Power

Technical Specifications

System

| | |
|-----------------|-------------------------|
| Processor | Intel Celeron N2930 CPU |
| CPU Performance | 1.83GHz |
| Chipset | System on Chip (SoC) |
| Storage | 2.5" SATA Drive |
| Storage Support | HDD or SSD |
| Memory | OnBoard |
| Memory (RAM) | 4GB, 8GB |

Display

| | |
|-------------------|--|
| Screen Size | 17" |
| Type of Backlight | TFT LCD |
| Screen Resolution | 1280 x 1024 |
| Contrast Ratio | 1000:1 |
| Brightness | 350 nits, Optional upgrade to high brightness screen (1000 nits) |
| Viewing Angle | 170(H) / 170(V) |
| Number of Colors | 16.7M |

Touch Screen

| | |
|--------------------|---------------------------------|
| Touchscreen | Resistive, Projected Capacitive |
| Light Transmission | Resistive 80% +, PCap 90%+ |

I/O Ports

| | |
|----------|---|
| USB 2.0 | 2x M12 8Pin for USB 1 and 2 |
| Serial | 1x M12 8Pin for RS-232/422/485 COM Port |
| Ethernet | 1x M12 8pin RJ45 Gbe LAN |

Operating Temperature

| | |
|-----------------------|--|
| Operating Temperature | -20°C to 60°C (-4°F to 140°F) |
| Storage Temperature | -30°C to 70°C (-22°F to 158°F) |
| Humidity Range | 10% to 90% @ 40°C (104°F) non-condensing |

Cooling System / Thermal Solution

| | |
|------------------|-------------------|
| Thermal Solution | Passive - Fanless |
|------------------|-------------------|

Dimensions / Weight

| | |
|-------------|--------------------|
| Weight (kg) | 7.1000 |
| Dimensions | 432 x 358 x 55.3mm |

Enclosure

| | |
|-----------------|---|
| Bezel | IP66 Protected |
| Material | SUS304 Stainless Steel, Optional SUS316 Stainless Steel |
| IP Rating | IP66 |
| Color | Stainless Steel |
| Control Buttons | 1x On/Off Button on Side, 1x Power Switch on Back |
| Mounting | VESA Mount, Side Mount |

Peripherals & Devices

| | |
|-------------|--|
| RFID | Optional RFID Module |
| Accessories | 2x optional blank M12 connectors with waterproof cap for selecting two from the following options: <ul style="list-style-type: none"> • 2 x USB 2.0 via daughter board • 1 x USB 3.0 via cable • 1 x LAN via cable • 1 x COM Port via daughter board • 1 x CAN via daughter board • 1 x POE via daughter board |

All specifications are subject to change without notice.

17" Waterproof All-in-one PC | TS-2945-17

Touchscreen Computer

TEGUAR[®]
Computers

DC Jack 1x M12 3pin DC Power Input (*Optional IP67 External Power Supply)

Operating System

Operating System Windows 10 Pro, Windows 10 IoT, Windows 8.1 Embedded, Windows 7 Embedded

Power

DC Input / Source Voltage 9~36V DC

Expansion Slots

Mini PCIe Slot (internal) Optional Mini PCIe Slot for WiFi/Bluetooth

Certification

Certification CE / FCC Class A Certification

Warranty

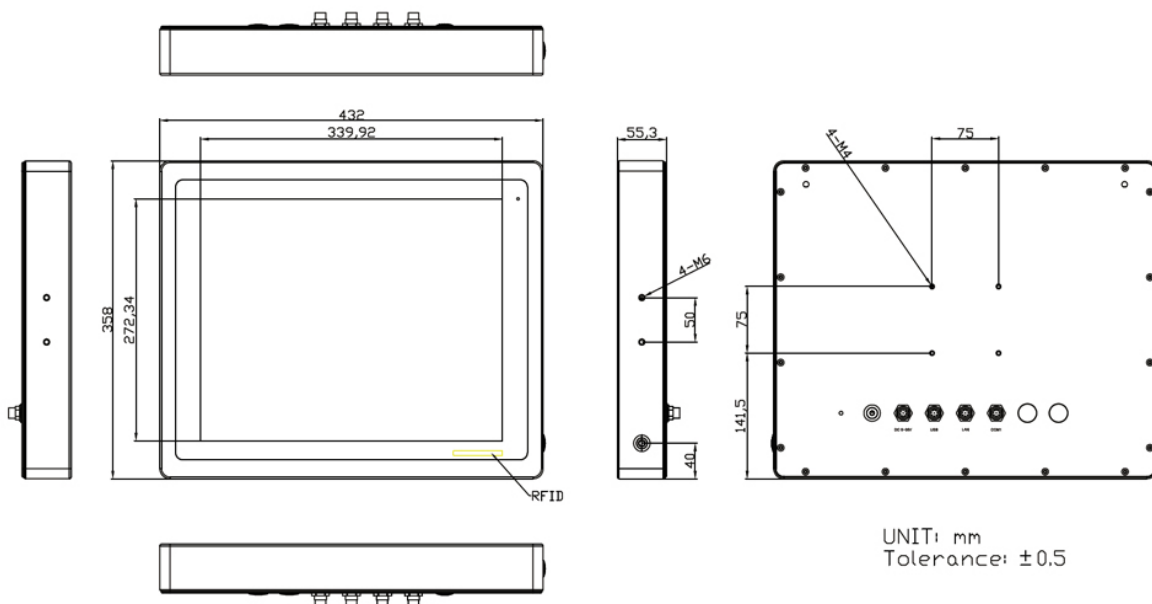
Warranty Up to 5 Years

Inputs / Outputs



- 1x M12 8Pin for USB 2.0 with Waterproof Cap
- 1x M12 8Pin for RS-232/422/485 COM Port with Waterproof Cap
- 1x M12 8pin RJ45 Gbe
- 1x M12 3pin DC Power Input with Waterproof Cap

Dimension Drawing



All specifications are subject to change without notice.



Your contact for more information about these products:
Glacier Computer, LLC
 866-724-6257 x 6 • sales@glaciercomputer.com