



**Features**

- 10.1" Flush LCD Touchscreen
- IP66 Fully Enclosed Fanless Design
- USB, LAN, and COM Ports
- Easy to Sanitize
- Resistive or Capacitive Touchscreen
- M12 Metal I/O Connectors

**Technical Specifications**

**System**

Processor	Intel Celeron N2930 CPU
CPU Performance	1.83GHz
Chipset	System on Chip (SoC)
Storage	2.5" SATA Drive
Storage Support	HDD or SSD
Memory	OnBoard
Memory (RAM)	4GB, 8GB

**Display**

Screen Size	10.1"
Type of Backlight	TFT LCD
Screen Resolution	1280 x 800
Contrast Ratio	800:1
Brightness	350 nits, Optional upgrade to high brightness screen (1000 nits)
Viewing Angle	170(H) / 170(V)
Number of Colors	16.7M

**Touch Screen**

Light Transmission	80% +
--------------------	-------

**I/O Ports**

USB 2.0	1x M12 8Pin for USB 2.0 with Waterproof Cap
Serial	1x M12 8Pin for RS-232/422/485 COM Port with Waterproof Cap
Ethernet	1x M12 8pin RJ45 Gbe

**Operating Temperature**

Operating Temperature	-20°C to 60°C (-4°F to 140°F)
Storage Temperature	-30°C to 70°C (-22°F to 158°F)
Humidity Range	10% to 90% @ 40°C (104°F) non-condensing

**Cooling System / Thermal Solution**

Thermal Solution	Passive - Fanless
------------------	-------------------

**Dimensions / Weight**

Weight (kg)	4.0000
Dimensions	300 x 220 x 53mm (11.81 x 8.66 x 2.08in)

**Enclosure**

Bezel	IP66 Protected, NEMA 4X
Material	SUS304 Stainless Steel, Optional SUS316 Stainless Steel
IP Rating	IP66/NEMA 4X, Optional IP69K
Color	Stainless Steel
Control Buttons	1x On/Off Button on Side, 1x Power Switch on Back
Mounting	VESA Mount

**Peripherals & Devices**

RFID	Optional RFID Module
------	----------------------

*All specifications are subject to change without notice.*

# 10" Waterproof All-in-one PC | TS-2945-10

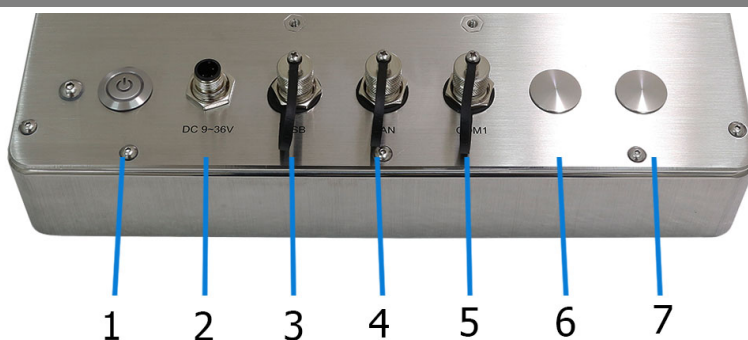
## Touchscreen Computer



DC Jack	1x M12 3pin DC Power Input with Waterproof Cap
<b>Operating System</b>	
Operating System	Windows 10 Pro, Windows 10 IoT, Windows 8.1 Embedded, Windows 7 Embedded
<b>Power</b>	
DC Input / Source Voltage	9~36V DC
<b>Expansion Slots</b>	
Mini PCIe Slot (internal)	Optional Mini PCIe Slot for WiFi/Bluetooth

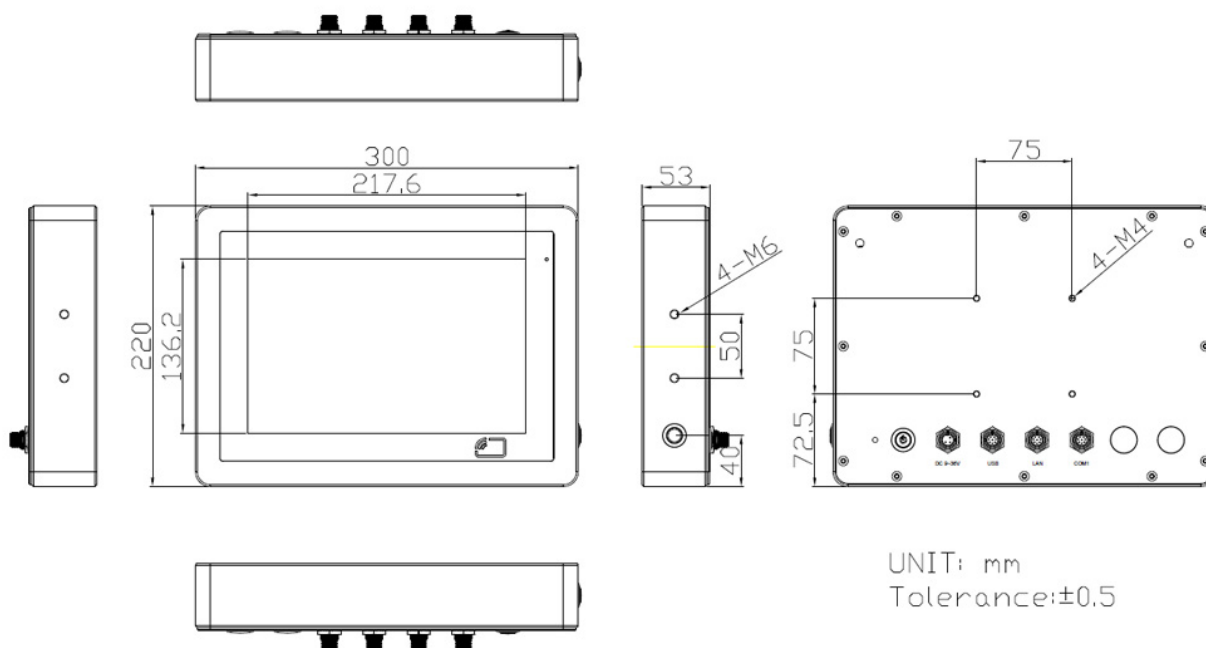
Accessories	2x optional blank M12 connectors with waterproof cap for selecting two from the following options:
	• 2 x USB 2.0 via daughter board
	• 1 x USB 3.0 via cable
	• 1 x LAN via cable
	• 1 x COM Port via daughter board
• 1 x CAN via daughter board	
• 1 x POE via daughter board	
<b>Certification</b>	
Certification	CE / FCC Class A Certification
<b>Warranty</b>	
Warranty	Up to 5 Years

### Inputs / Outputs



- 1. Power Button
- 2. DC Input
- 3. USB Port
- 4. LAN Port
- 5. COM Port
- 6. Optional Port
- 7. Optional Port

### Technical Drawings



All specifications are subject to change without notice.



For more Information Contact: **Glacier Computer, LLC**  
 866-724-6257 x 6  
 sales@glaciercomputer.com