



Features

- 15" Full Flat Resistive Touch Screen
- 3rd Gen Intel Core i3/i5/i7 CPU
- 2GB RAM and Mini-PCIe Expansion Slot
- IP66 NEMA 4X Stainless Steel Enclosure
- IP65 Cable Set with IP67 External Power Supply
- Brilliant, Thin, Fanless Design
- Available Option to Upgrade to IP69K

Technical Specifications

System

Processor	3rd Gen Intel® Core i7/i5/i3/ CPU
Chipset	HM65
Video / Graphics Card	Intel® integrated HD Graphics 4000
Storage	SATA 3, SATA DOM
RAM	2GB Standard, 4GB Optional, 8GB Optional, 16GB Optional

Display

Screen Size	15"
Type of Backlight	LED
Screen Resolution	1024 x 768 XGA
Contrast Ratio	600:1
Active Display Area	304.128 (W) x 228.096 (V)
Pixel Pitch	0.297
Brightness	400 nit Optional 1000 nit
Viewing Angle	160/160
Number of Colors	16.7M

Touch Screen

Touchscreen	Resistive Touchscreen, Optional P-Cap Touchscreen
Hardness	4H optional 7H
Glass Thickness	2.4mm
Lifetime Usage	50000

I/O Ports

USB 2.0	External USB 2.0 X 2
Serial	2 x RS232
Ethernet	Marvell 88E8071 Gigabit Ethernet x 1

Power Adapter	AC 90 ~ 264V / 47 ~ 63 Hz / DC output 12V
---------------	---

Reset Power Button	Yes
--------------------	-----

Expansion Slots

Mini PCIe Slot (internal)	1 Mini-PCIe
---------------------------	-------------

Operating Temperature

Operating Temperature	0° to 40° C (32° to 104° F)
Storage Temperature	-20°C to 60°C (-4°F to 140°F)
Humidity Range	10% to 90% (non-condensing)
Storage Humidity	10% to 90% (non-condensing)

Cooling System / Thermal Solution

Thermal Solution	Passive - Fanless
------------------	-------------------

Dimensions / Weight

Weight (kg)	8.4000
Dimensions	395 x 57.9 x 309.5

Enclosure

Bezel	IP66 Protected
Material	Stainless Steel
IP Rating	IP66/NEMA 4X
Color	Stainless Steel
Control Buttons	Power on/off, Reset
Shock	Operating: 20g, 11ms
Vibration	5 ~ 500Hz , Acceleration□1.0G
Mounting	VESA Mount, Desktop Stand, Wall Mount
Note *	Available Option to Upgrade to IP69K

Peripherals & Devices

All specifications are subject to change without notice.

15" Waterproof Computer | TS-3010-15

NEMA 4X / IP65 Washdown Computer

Other Ports Internal 3.3V Socket x 1, 5V Pin Head x 4,
DC Jack 1x 12V DC-IN

Operating System

OS (Support) Windows 8 Pro, Windows 7 Pro, Windows 7 Embedded

Power

DC Input / Source Voltage DC12V~28V

DC Output DC12V

Power Consumption 53.5 W

Wireless Communication Optional WIFI and BT Kit

Accessories

IP65 Cable Set, IP67 External Power Supply
Optional Wall or Stand Mounts

Extra Features

Optional Sunlight Readable Optical Bonding and Anti UV Coating

Certification

Certification VCCI, CE / FCC Class A Certification

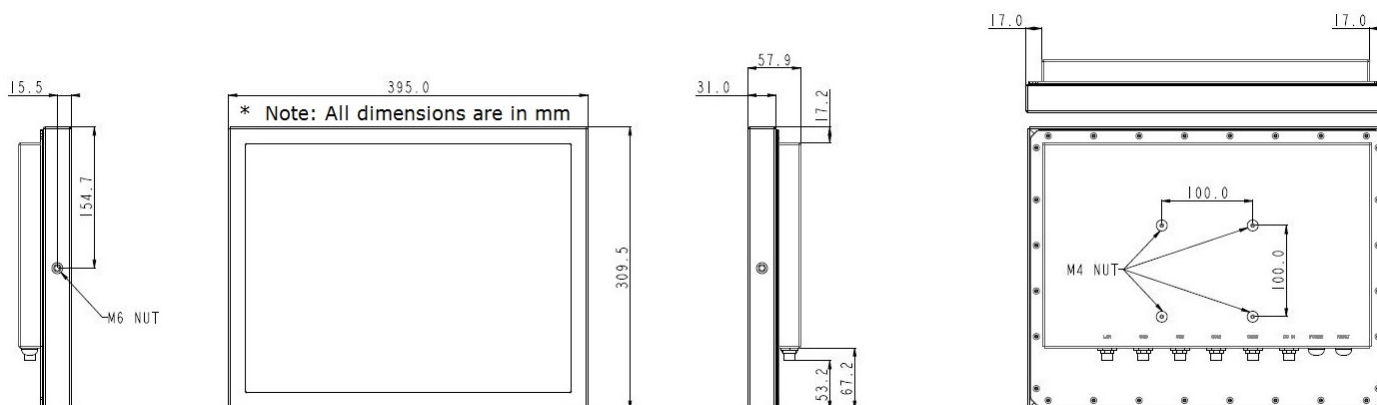
Warranty

Warranty Up to 5 Years

Inputs / Outputs



Technical Drawings



For more information Contact:

John Geary
Glacier Computer, LLC

10 Northern Blvd. Suite #2
Amherst, NH 03031
john@glaciercomputer.com
603.882.1560 x3213

All specifications are subject to change without notice.