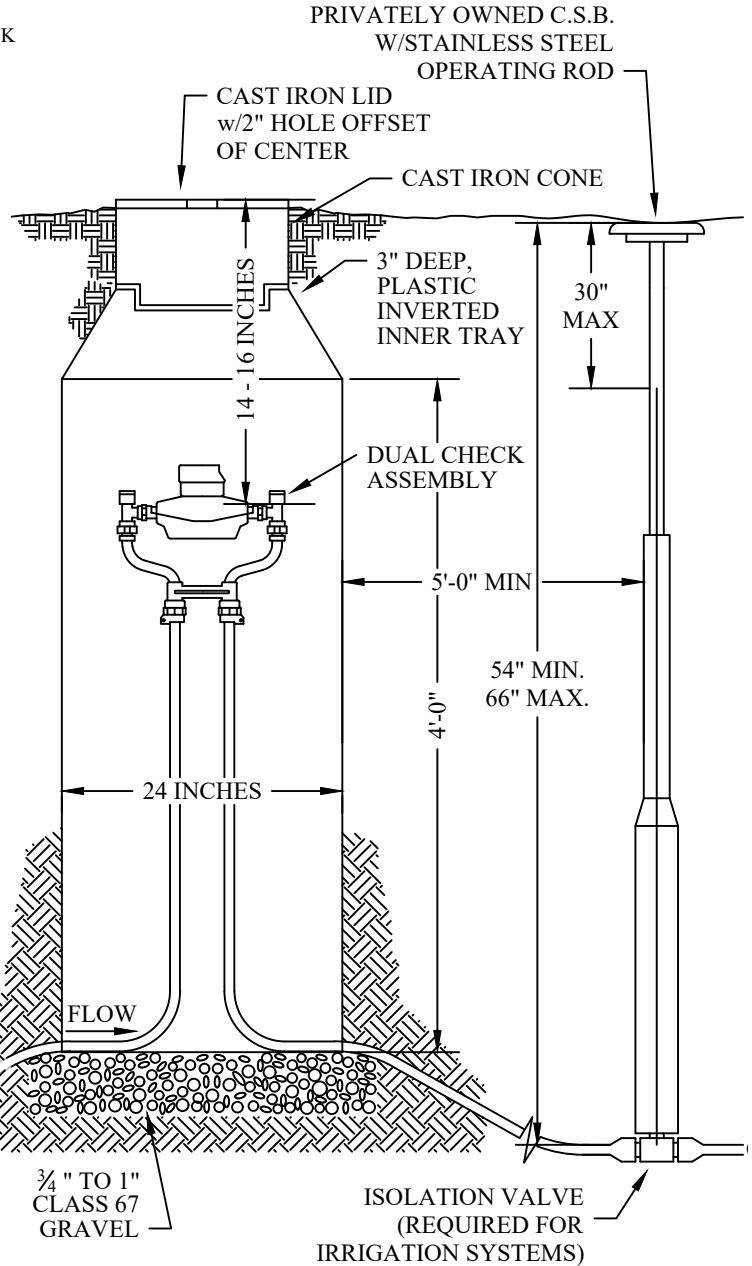
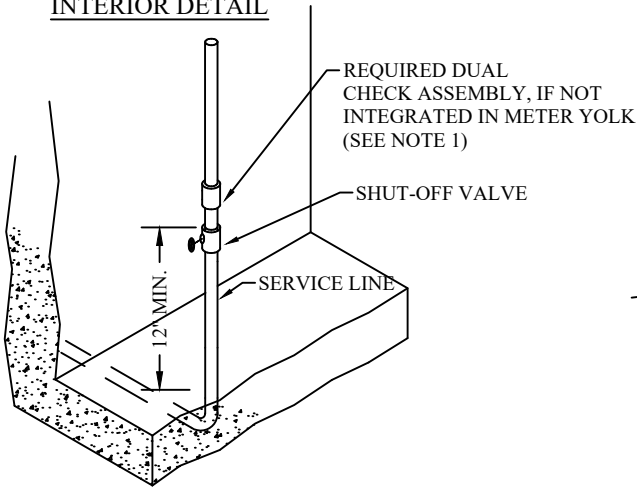




3/4" & 1" Meter Pit Meter Installation Request Form

INTERIOR DETAIL



INSTALLATION CRITERIA NOTES

1. Dual check assembly installed adjacent to the downstream side of shut-off valve at entry point of structure, if not integrated in meter yolk. (See drawing)
2. Meter setter located 14"-16" below top lid, center in meter pit.
3. FCLWD meter lay lengths - 3/4" meter = 7.5", 1" meter = 10.75"
4. Meter pit cone 1/2" above final grade and centered on pit, ground slopes away from lid.
5. Meter pit and assemblies free from damages.
6. Meter pit extensions and resetters are not permitted.
7. (Irrigation only) Isolation valve with approved Curb Stop Box and stainless steel operating rod installed directly downstream of meter pit.
8. Bedding material exposed at the base of the meter pit, and clean and free of debris.
9. Meter pit located in a non-traffic area, to include driveways and sidewalks.
10. Landscaping (trees, shrubs, etc.) minimum 5' from vault.
11. Meter pit accessible to meter installer.

Meter Installation Address _____ City: _____
(Return or fax form to District, meters will typically be set within 2 business days after receiving the request form.)

Builder Certification: (By signing, you are certifying that all District meter set requirements have been met. You also understand that you will be subject to minimum \$50.00 re-set fee if meter is not set due to non-conformance items.)

Company Name: _____ Superintendent: _____
Address: _____ Superintendent Signature: _____
City: _____ State: _____ Zip: _____ Phone #: _____