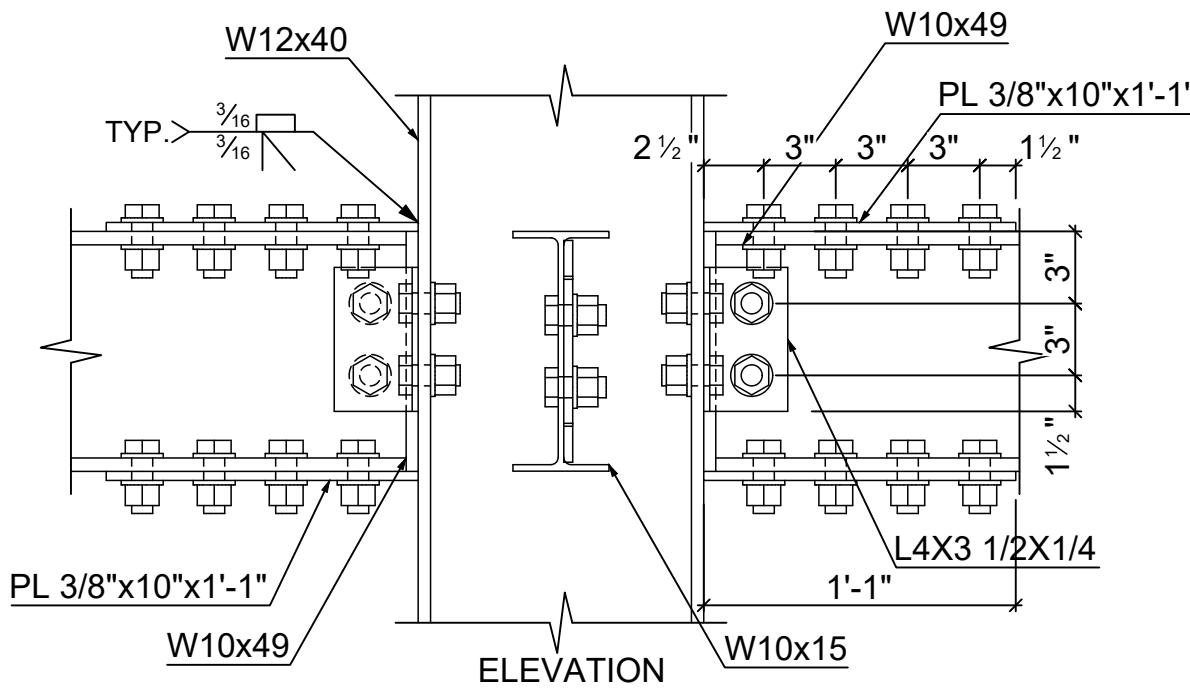
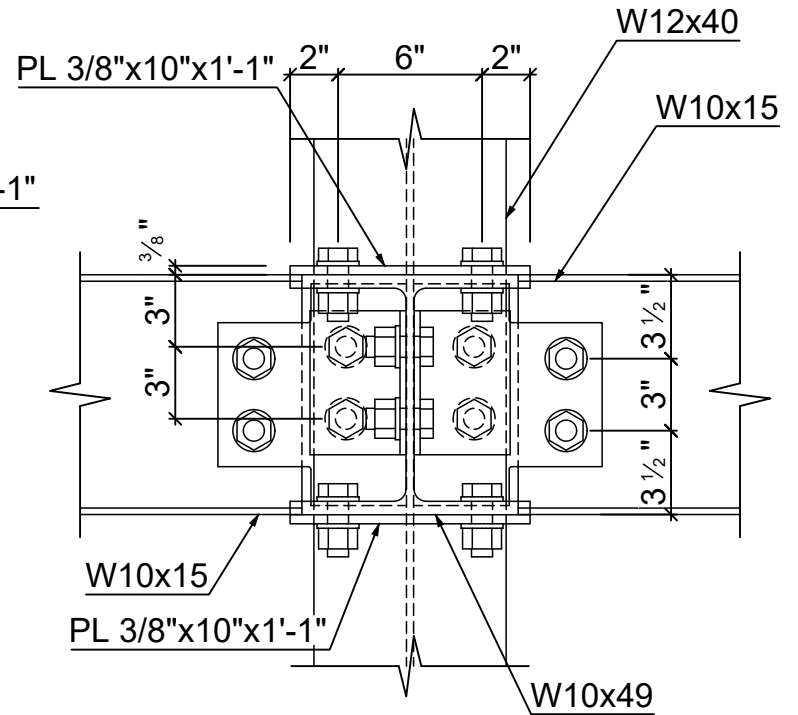


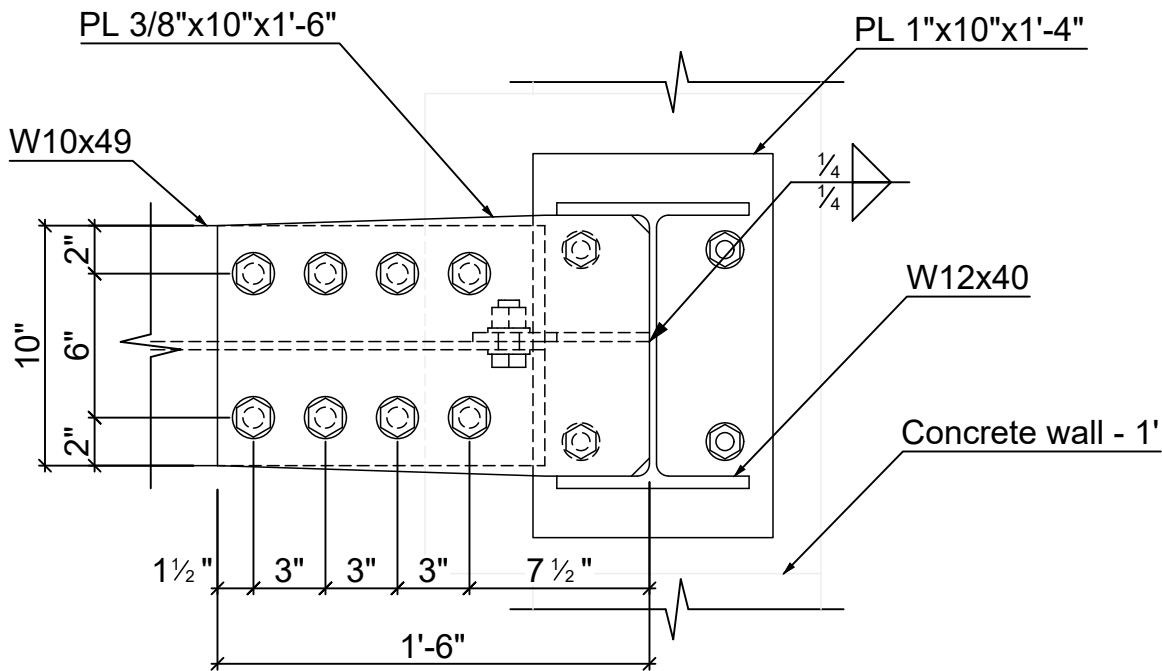
PLAN VIEW



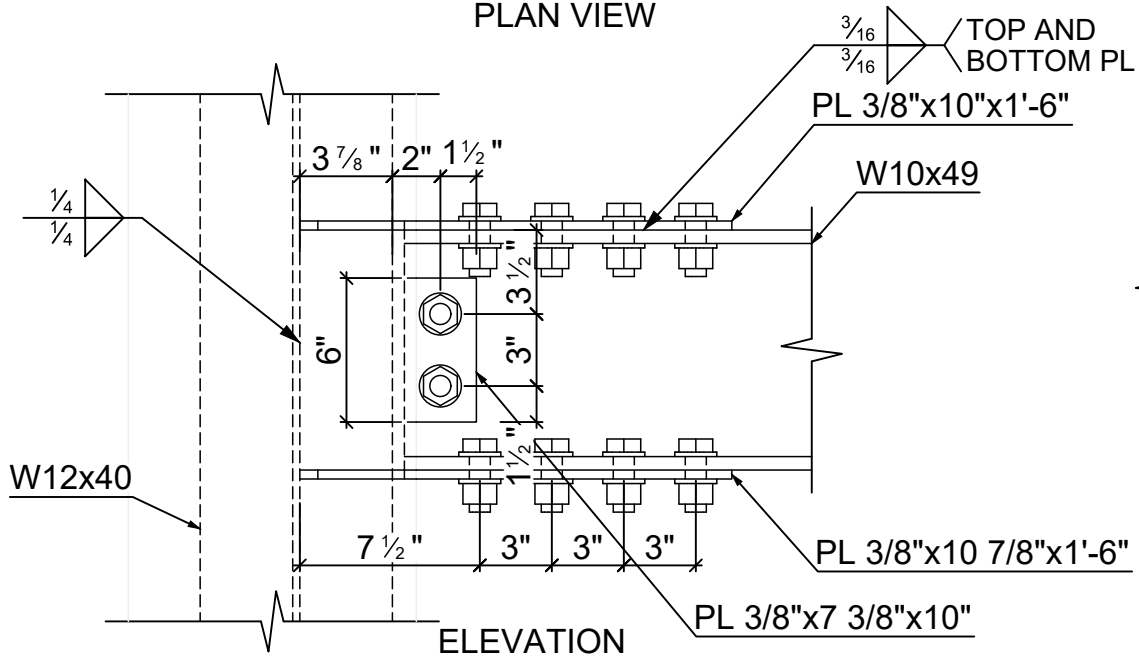
ELEVATION



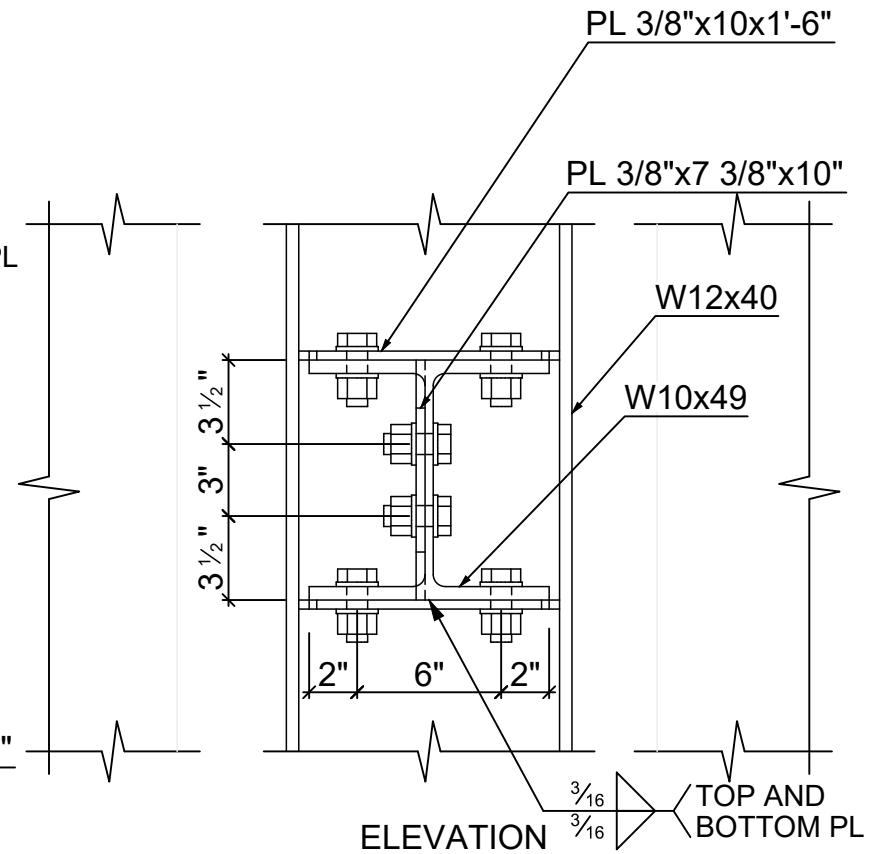
<p>PROJECT 514 MAPLE STREET BROOKLYN, N.Y. 11211</p>	<p>TITLE: TYP. MOMENT CONNECTION TO FLANGE</p>	<p>DATE: 08/06/2020 SCALE: 1-1/2" = 1'-0" DRAWN BY: KP CHECKED BY: MS</p>	<p>REV.: REV. DATE:</p>	<p>IRA D. STREITFELD 125 RIVERSIDE DRIVE NEW YORK NY. 10024</p>
---	---	---	--	---



PLAN VIEW



ELEVATION



ELEVATION

<p>PROJECT 514 MAPLE STREET BROOKLYN, N.Y. 11211</p>	<p>TITLE: TYP. MOMENT CONNECTION TO WEB</p>	<p>DATE: 08/06/2020 SCALE: 1-1/2" = 1'-0" DRAWN BY: KP CHECKED BY: MS</p>	<p>REV.: REV. DATE:</p>	<p>IRA D. STREITFELD 125 RIVERSIDE DRIVE NEW YORK NY. 10024</p>	
---	--	---	----------------------------------	---	--