

MORE POWER - LESS SPACE™



HIGH RATE SERIES

HR7500ET

- **Plates formed with IPF™ technology to assure consistent cell to cell performance**
- Advanced AGM technology for superior high rate, short term power
- Front access design for easy installation and maintenance
- Reinforced case resists bulging and meets safety requirements (UL 94 V-0)
- Case & cover heat sealed and 100% tested to prevent leaks
- Epoxy-sealed posts eliminate leaks
- Puncture resistant micro-porous glass mat separators extend life
- Flame arresting, low pressure, self-sealing valves are 100% factory tested
- Computer-aided design and manufacturing control processes and standards to ensure quality products
- All batteries meet or exceed IEEE 485, 1184, 1187 & 1188 requirements at shipment
- Battery design and construction meet UL recognition requirements



QUALITY SYSTEM CERTIFIED
ISO 9001
ISO/TS 16949
 ENVIRONMENTAL SYSTEM CERTIFIED
ISO 14001



SPECIFICATIONS

Nominal Voltage*: 12-Volt/750 w.p.c.
 @ 15 min. rate to 1.67 v.p.c.

Positive Plate: Pure lead, low-calcium, high-tin alloy

Negative Plate: Lead calcium alloy

Post Seal: Epoxy-sealed

Terminal: Front access, 1/4" - 20 threaded insert

Container: Flame-retardant, polypropylene - UL 94 V-0/>28% L.O.I.

Safety Vent: Low positive pressure, self-sealing w/ flame arrestor

Float Voltage: 2.25 v.p.c. ± 0.01 v.p.c. (Range: 13.44 to 13.56 volts per 6-cell battery)

Design Life: 10 years in float applications at 77°F (25°C)

Dimensions: 23.03" (585.0 mm) L x 4.90" (124.5 mm) W x 12.74" (323.5 mm) H

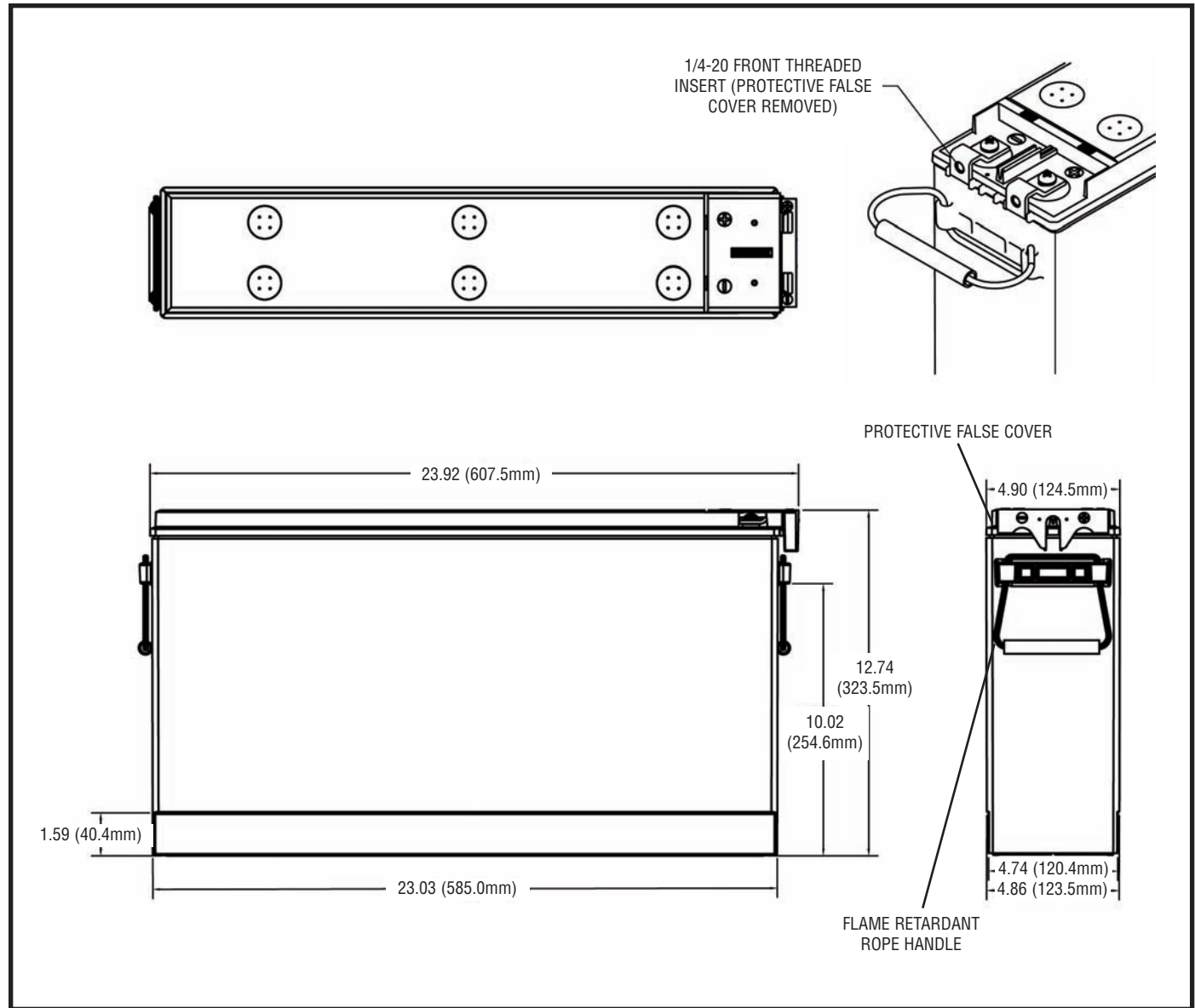
Weight: 150 lbs. (68.04 kg)

DISCHARGE RATE IN WATTS PER CELL RATINGS @ 77°F (25°C)†

Volts Per Cell (VPC)	5 MINS.	10 MINS.	15 MINS.	20 MINS.	30 MINS.	40 MINS.	50 MINS.	60 MINS.
1.60	1196.2	960.1	794.8	671.5	509.7	411.5	345.0	298.7
1.67	1098.0	891.9	750.0	644.2	499.3	406.4	341.3	295.9
1.70	1051.6	856.8	723.3	625.7	492.0	403.4	339.1	294.2
1.75	961.0	791.1	673.9	586.7	466.7	387.5	329.9	289.3
1.80	849.3	714.2	616.2	541.6	435.7	364.7	312.2	275.0

† Subject to change without notice.

* Preliminary



"POWERED FOR PERFORMANCE"®

EAST PENN manufacturing co., inc.

Lyon Station, PA 19536-0147 • Phone: 610-682-6361 • Fax: 610-682-4781

Order Department Hotline: 610-682-4231

www.eastpennunigy.com • e-mail: sales@eastpennunigy.com

E.P.M. Form No. 1415 Rev. 11/09 © 2009 by EPM Printed in U.S.A.

All data subject to change without notice.
No part of this document may be copied or reproduced, electronically or mechanically, without written permission from the company.