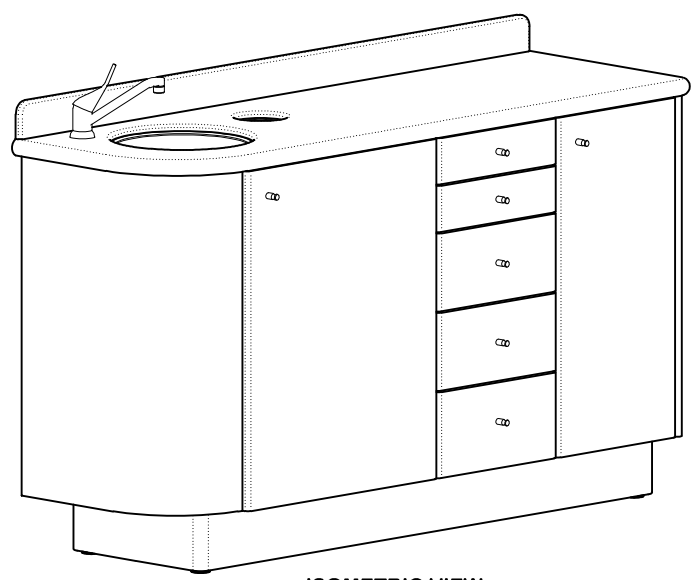
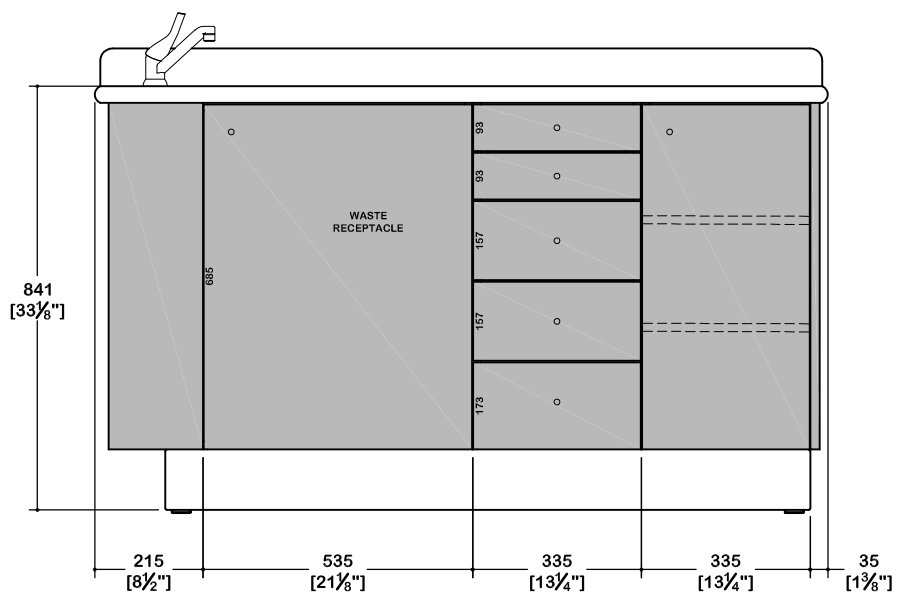


**PLAN VIEW**

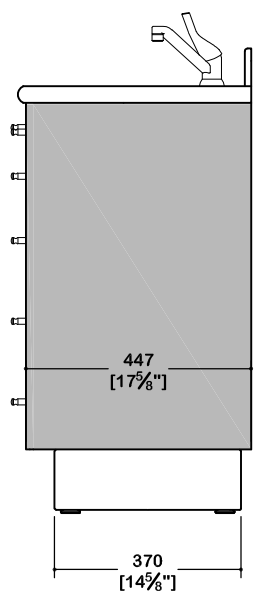
● ACCENT COLOR  
○ BASE COLOR



**ISOMETRIC VIEW**



**FRONT VIEW**



**END VIEW**

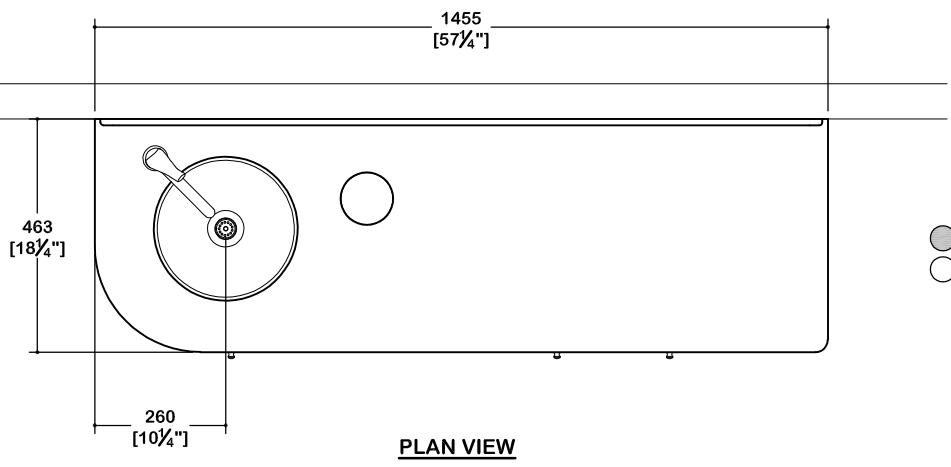
*SHOWN WITH SINK LEFT OPTION, SINK RIGHT OPTION AVAILABLE. PLEASE SEE SIDE CABINET OPTION PAGE FOR NUMEROUS CONFIGURATIONS.*

SERIES:     SIGNATURE     MERIDIAN  
 DEPTH:     19"     23"  
 COUNTER:     SOLID SURFACE     LAMINATE     STONE    COLOR: \_\_\_\_\_  
 BASE COLOR: \_\_\_\_\_    ACCENT COLOR: \_\_\_\_\_  
 FINISHED BACK:     YES     NO    COLOR: \_\_\_\_\_     MONOTONE



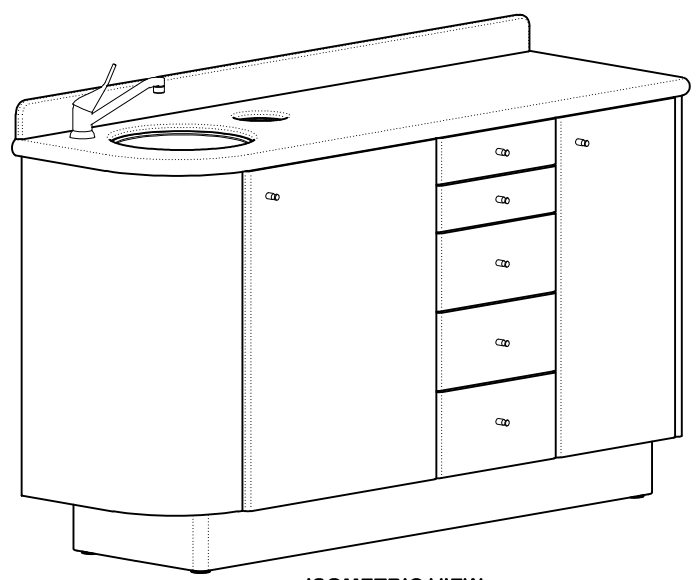
DRAWING DETAIL		DRAWING NAME	
ASSISTANT'S SIDE CABINET LEFT		ASTL	
DRAWN BY	DATE	SCALE	VIEW
MLW	05-JUL-18	NTS	AS SHOWN
COPYRIGHT NOTICE			
© Copyright of Bow Wood Dental Systems Inc. All Rights Reserved. No part of this drawing may be reproduced or distributed in any form without prior written permission from Bow Wood Dental			

QTY

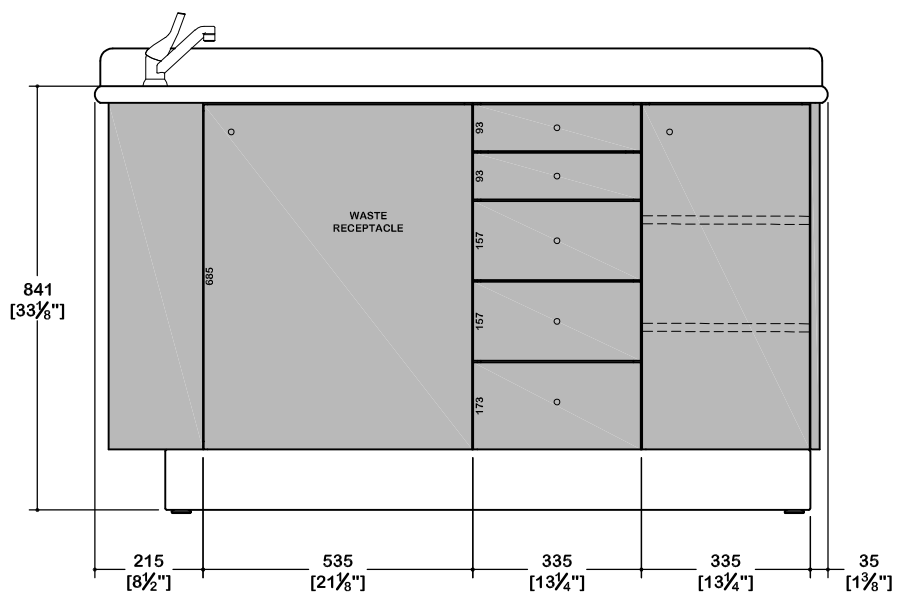


**PLAN VIEW**

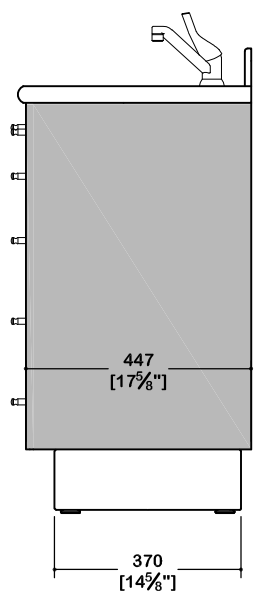
● ACCENT COLOR  
○ BASE COLOR



**ISOMETRIC VIEW**



**FRONT VIEW**



**END VIEW**

*SHOWN WITH SINK RIGHT OPTION, SINK LEFT OPTION AVAILABLE. PLEASE SEE SIDE CABINET OPTION PAGE FOR NUMEROUS CONFIGURATIONS.*

SERIES:     SIGNATURE     MERIDIAN  
 DEPTH:     19"     23"  
 COUNTER:    SOLID SURFACE     LAMINATE     STONE    COLOR: \_\_\_\_\_  
 BASE COLOR: \_\_\_\_\_    ACCENT COLOR: \_\_\_\_\_  
 FINISHED BACK:    YES     NO    COLOR: \_\_\_\_\_     MONOTONE



DRAWING DETAIL		DRAWING NAME	
SIDE CABINET LEFT		ASTL	
DRAWN BY	DATE	SCALE	VIEW
MLW	05-JUL-18	NTS	AS SHOWN
COPYRIGHT NOTICE			
© Copyright of Bow Wood Dental Systems Inc. All Rights Reserved. No part of this drawing may be reproduced or distributed in any form without prior written permission from Bow Wood Dental			