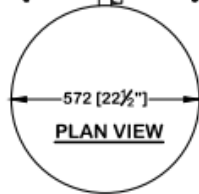
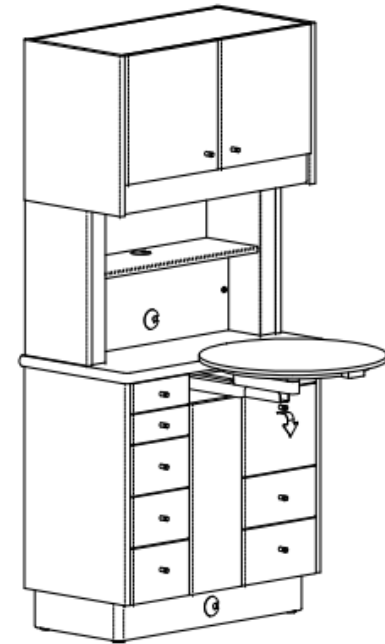
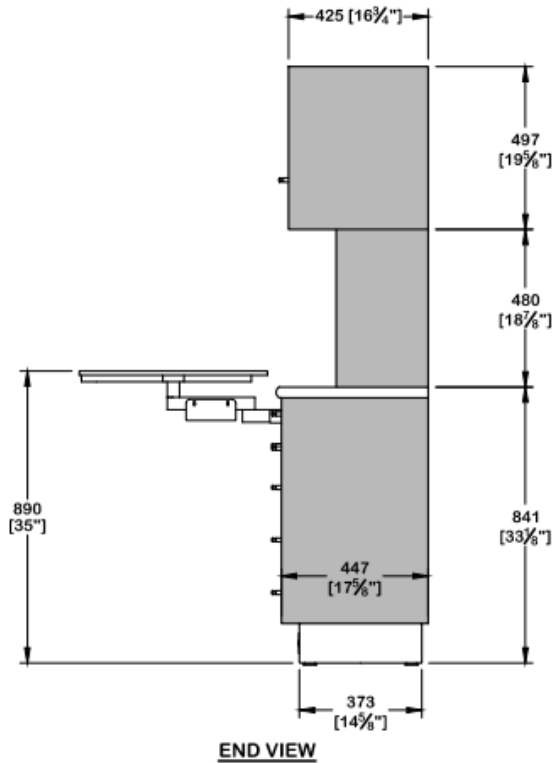
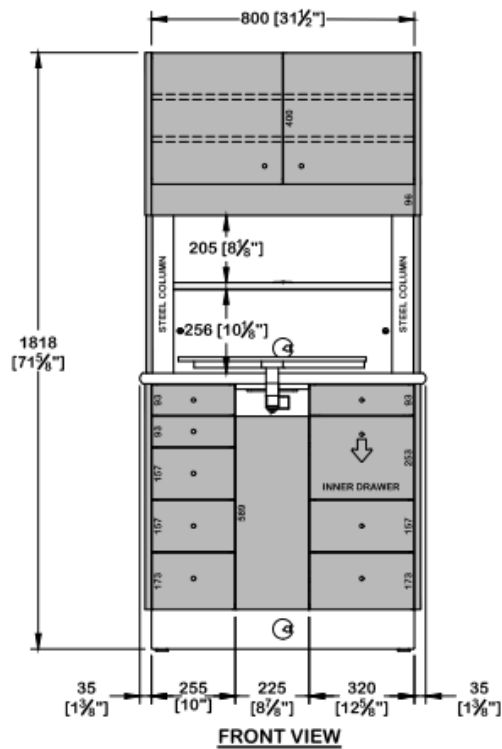


*ALSO AVAILABLE IN 23" DEPTH



STANDARD REAR SUPPORT CONFIGURATION. SHOWN WITH WORK SURFACE OPTION '3' DUO SWING TABLE. PLEASE SEE RS-OPTION PAGES FOR NUMEROUS WORK SURFACE, HUTCH, AND BASE MODULE CONFIGURATIONS.

● ACCENT COLOR
○ BASE COLOR



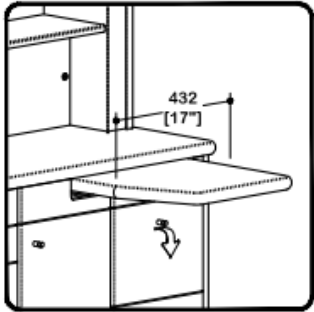
ISOMETRIC VIEW

SERIES: SIGNATURE MERIDIAN
 DEPTH: 19" 23"
 COUNTER: SOLID SURFACE LAMINATE STONE COLOR: _____
 BASE COLOR: _____ ACCENT COLOR: _____
 FINISHED BACK: YES NO COLOR: _____ MONOTONE

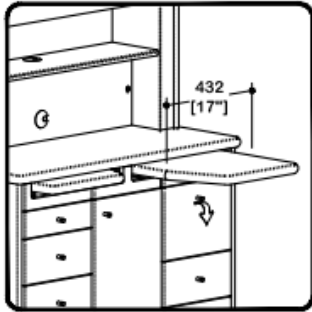


DRAWING DETAIL		DRAWING NAME	
REAR SUPPORT 12 - 23" DEEP AGAINST WALL		RS12-23	
DRAWN BY	DATE	SCALE	VIEW
MLW	05-JUL-18	NTS	AS SHOWN
COPYRIGHT NOTICE			
© Copyright of Bow Wood Dental Systems Inc. All Rights Reserved. No part of this drawing may be reproduced or distributed in any form without prior written permission from Bow Wood Dental			

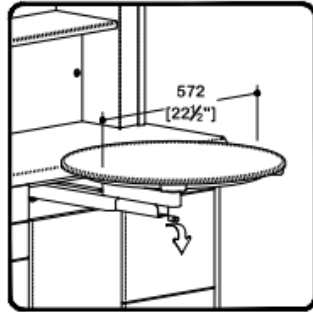
WORK SURFACE OPTIONS



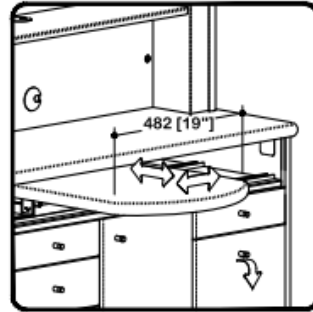
SINGLE PULLOUT
 LEFT RIGHT



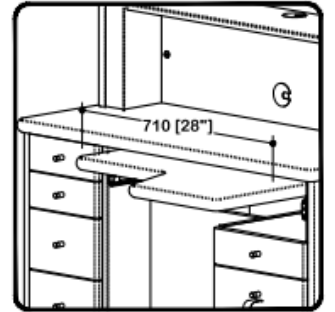
DUAL L/R SLIDING COUNTER



DUO SWING TABLE
 ROUND SQUARE



LINEAR SLIDING COUNTER



FOREST PULLOUT

HUTCH CONFIGURATIONS



FULL SPLASH



STANDARD SHELF



HALF HEIGHT SHELF



QUARTER HEIGHT SHELF



UPPER ACCESSORY PANEL



UPPER STORAGE



ACCESSORY / STORAGE



BASE ACCESSORY PANEL



SPLIT SHELF



SHALLOW SHELF

WORK SURFACE OPTION: _____

BASE MODULES: L: _____ C: _____ R: _____

HUTCH CONFIGURATION: _____

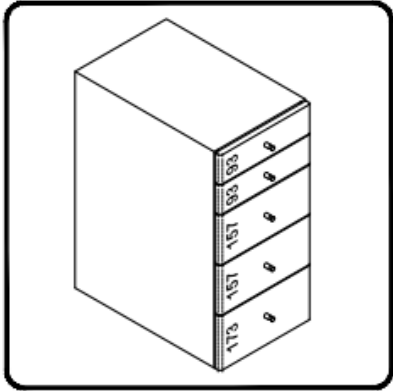
CUSTOM NOTES: _____



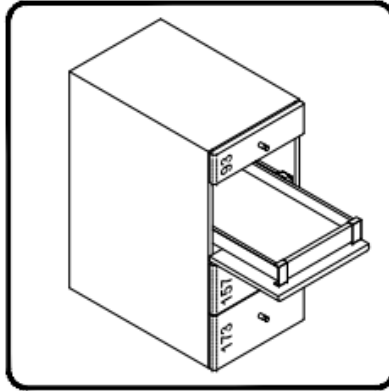
DRAWING DETAIL		DRAWING NAME	
REAR SUPPORT OPTIONS		RS-OPT-PG1	
PAGE 1 OF 2			
DRAWN BY	DATE	SCALE	VIEW
MLW	05-JUL-18	NTS	AS SHOWN
COPYRIGHT NOTICE			
© Copyright of Bow Wood Dental Systems Inc. All Rights Reserved. No part of this drawing may be reproduced or distributed in any form without prior written permission from Bow Wood Dental			

BASE MODULES

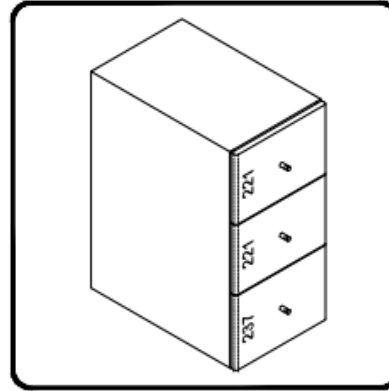
(MOST MODULES CAN BE CONVERTED TO SIDE OPENING)



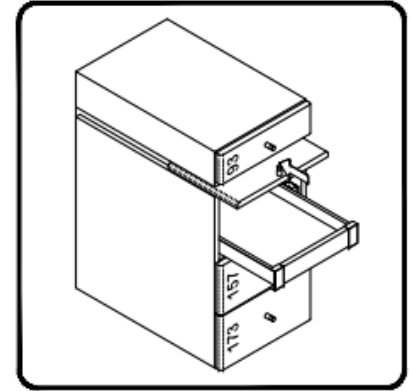
DOCTOR'S



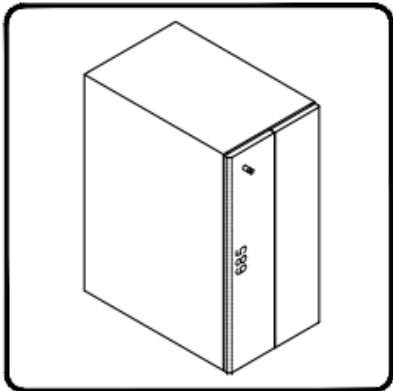
ASSISTANT'S



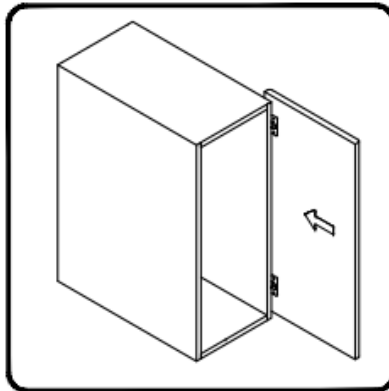
EQUIPMENT



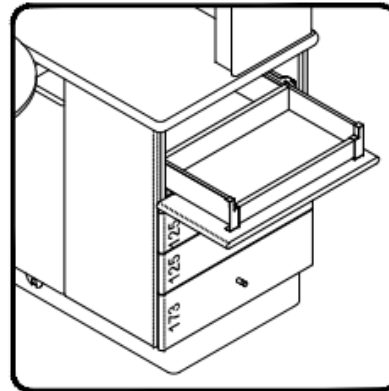
FLIP & PUSH



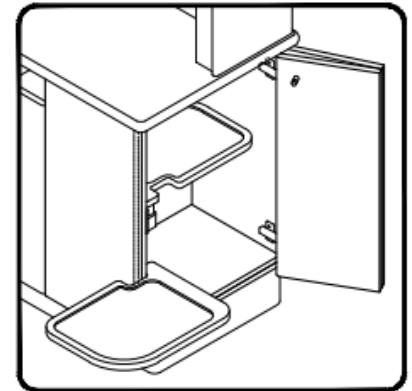
BI-FOLD



POCKET



SIDE OPENING ASSISTANT'S



SIDE OPENING SWING TRAY

WORK SURFACE OPTION: _____

BASE MODULES: L: _____ C: _____ R: _____

HUTCH CONFIGURATION: _____

CUSTOM NOTES: _____



DRAWING DETAIL		DRAWING NAME	
REAR SUPPORT OPTIONS PAGE 2 OF 2		RS-OPT-PG2	
DRAWN BY	DATE	SCALE	VIEW
MLW	05-JUL-18	NTS	AS SHOWN
COPYRIGHT NOTICE			
© Copyright of Bow Wood Dental Systems Inc. All Rights Reserved. No part of this drawing may be reproduced or distributed in any form without prior written permission from Bow Wood Dental			