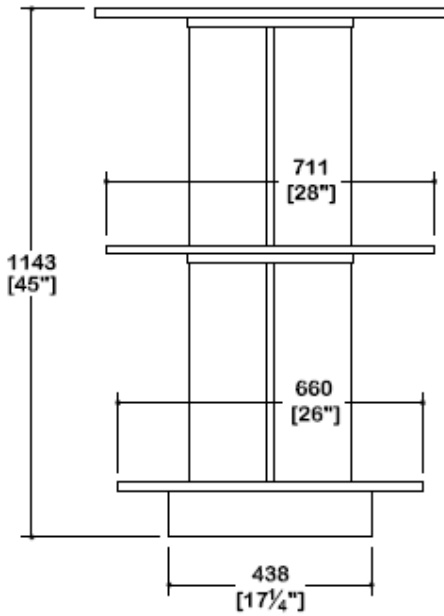
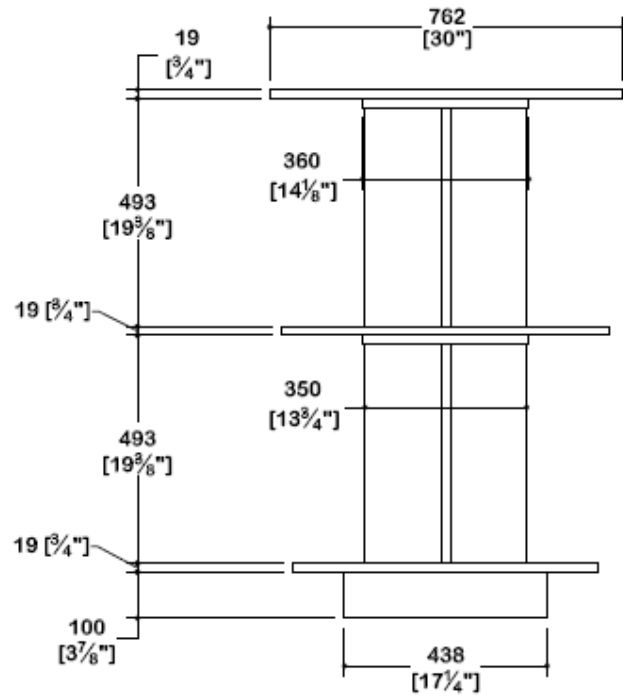


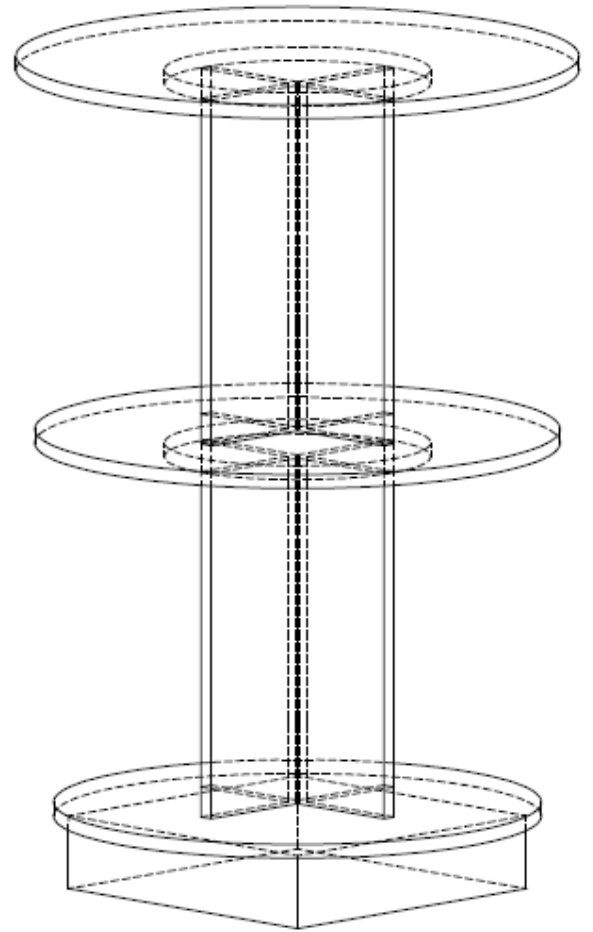
PLAN



FRONT ELEVATION



END ELEVATION



ISOMETRIC

HEIGHT: 32" 36"
 DEPTH: 19" 24"
 COUNTER: SOLID SURFACE LAMINATE STONE COLOR: _____
 BASE COLOR: _____ ACCENT COLOR: _____
 FINISHED BACK: YES NO COLOR: _____ MONOTONE



PROJECT VETERINARIAN CABINETS		DRAWING TITLE ROUND RETAIL DISPLAY	
DATE 28-FEB-20	SCALE NTS	PROJECT NO. RRD	

