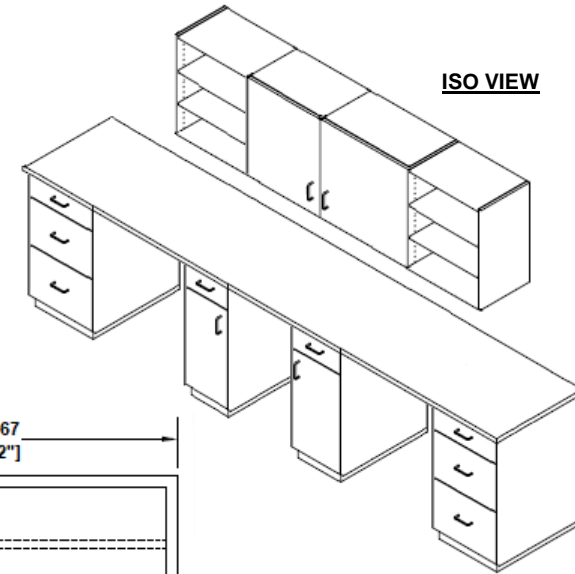
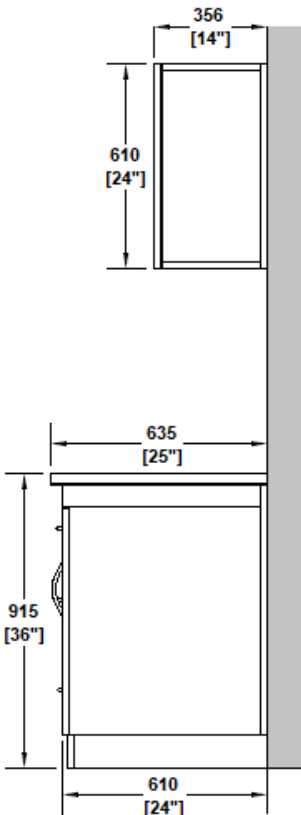


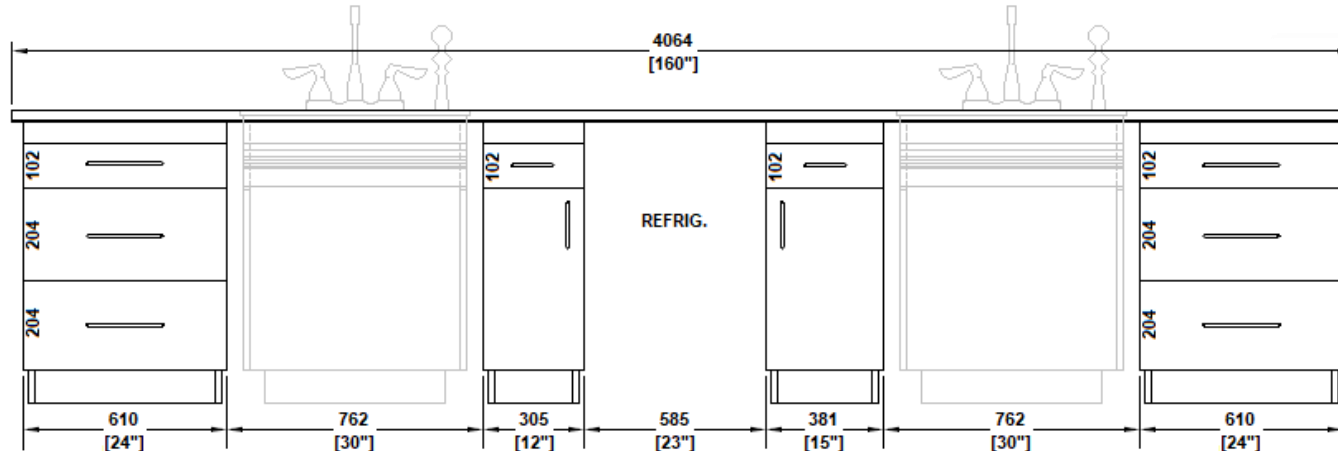
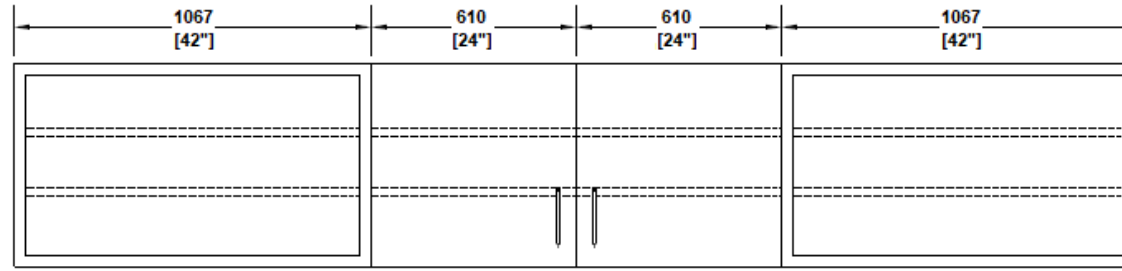
PLAN VIEW



ISO VIEW



END VIEW



FRONT VIEW



PROJECT VETERINARIAN CABINETS		DRAWING DETAIL EXAM ROOM	
REFERENCE DRAWING	SCALE N.T.S.	DATE	DRAWN BY
DRAWING NAME V2000		REV. A	