

Designed to fit.

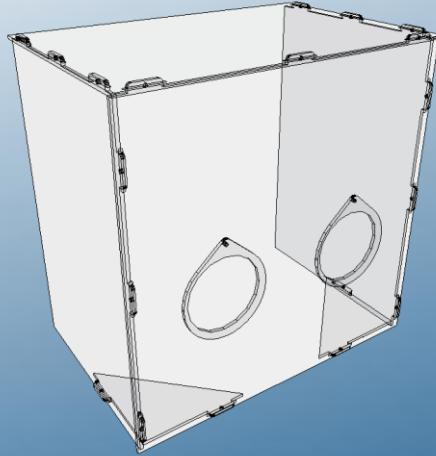
BowWood
cabinet systems

Built to perform.

Intubation Cover Shield

Specifications

Model: M0085



Construction details

- 6mm Clear medically tested polycarbonate
- Easy puzzle-piece style assembly
- No tools required

Features

- Provides protection during intubation procedure
- Clear shield to allow better visualization of the airway
- Easy to disinfect between uses
- Fits all body types