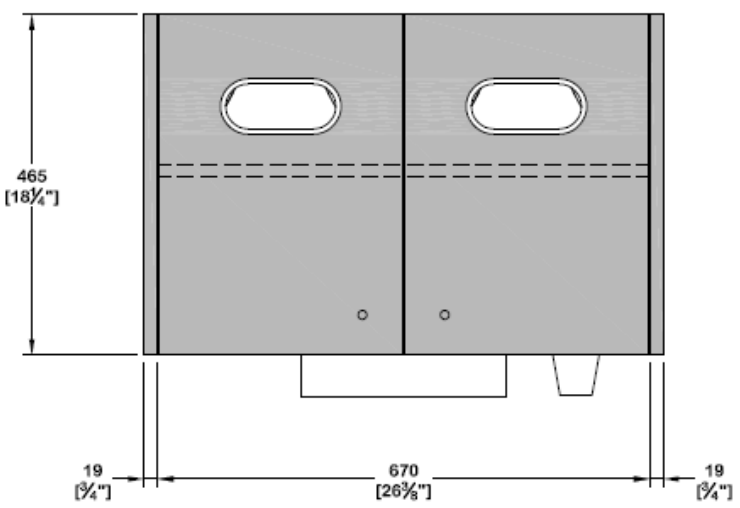
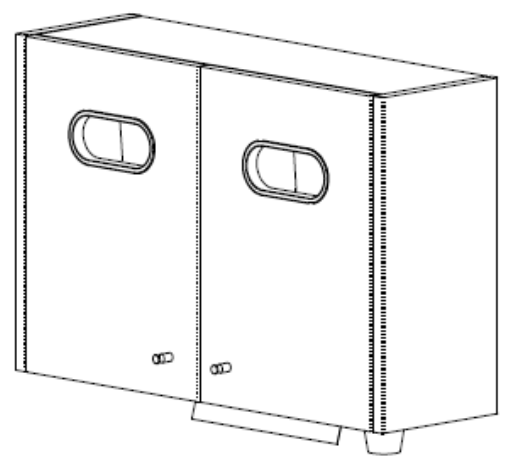
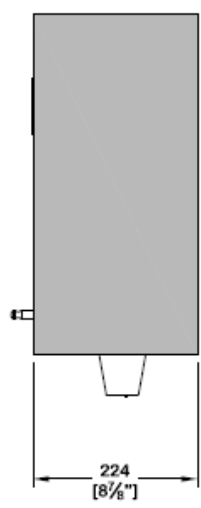


**PLAN VIEW**

● ACCENT COLOR  
○ BASE COLOR



**FRONT VIEW**



**END VIEW**

SERIES:     SIGNATURE     MERIDIAN  
 DEPTH:     19"     23"  
 COUNTER:     SOLID SURFACE     LAMINATE     STONE    COLOR: \_\_\_\_\_  
 BASE COLOR: \_\_\_\_\_    ACCENT COLOR: \_\_\_\_\_  
 FINISHED BACK:     YES     NO    COLOR: \_\_\_\_\_     MONOTONE



<b>DRAWING DETAIL</b>		<b>DRAWING NAME</b>	
GLOVE / CUP / TOWEL WALL HUNG UPPER		<b>MU1205</b>	
<b>DRAWN BY</b>	<b>DATE</b>	<b>SCALE</b>	<b>REV</b>
MLW	05-JUL-18	NTS	AS SHOWN
<b>COPYRIGHT NOTICE</b>			
© Copyright of Bow Wood Dental Systems Inc. All Rights Reserved. No part of this drawing may be reproduced or distributed in any form without prior written permission from Bow Wood Dental			