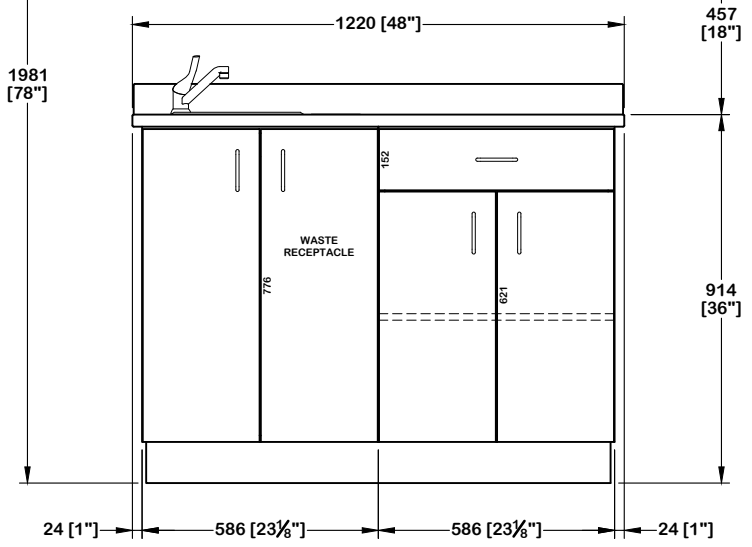
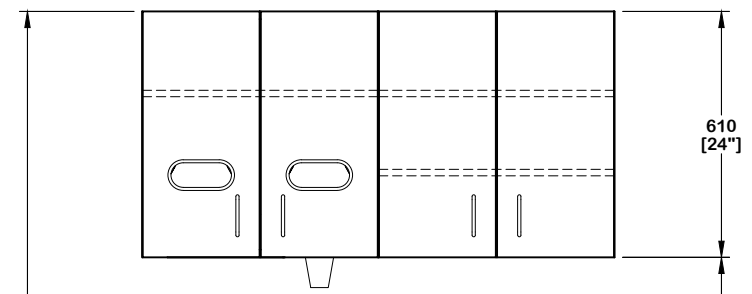
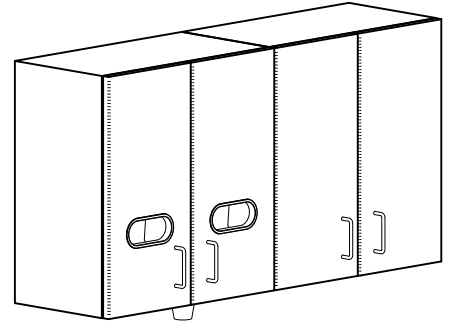
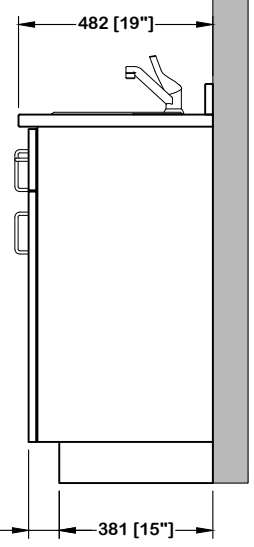
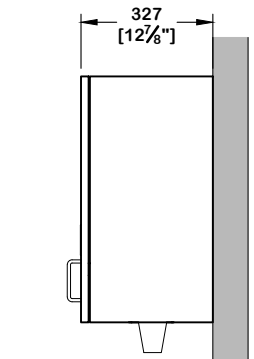


PLAN VIEW

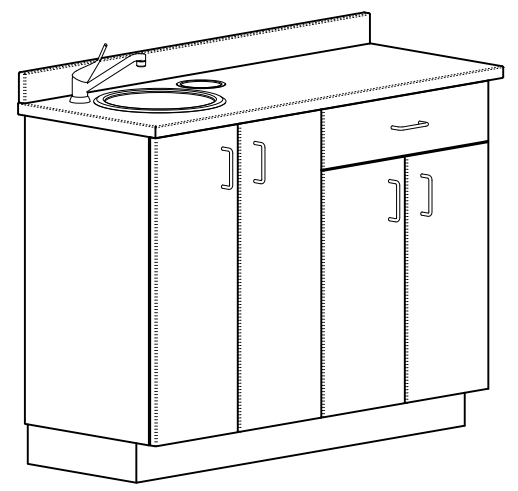
SHOWN WITH SINK LEFT OPTION, SINK LEFT OPTION AVAILABLE. SEE MEDICAL CABINET OPTION PAGE FOR NUMEROUS CONFIGURATIONS.



FRONT VIEW



END VIEW



HEIGHT: 32" 36"
 DEPTH: 19" 24"
 COUNTER: SOLID SURFACE LAMINATE STONE COLOR: _____
 BASE COLOR: _____ ACCENT COLOR: _____
 FINISHED BACK: YES NO COLOR: _____ MONOTONE



PROJECT	MEDICAL CABINETS MERIDIAN SERIES	DRAWING DETAIL	EXAM ROOM STANDARD UNIT - OPTION I
REFERENCE DRAWING		DRAWN BY/DATE	M.L.W. 31-MAY-19
DRAWING NAME	EX1	SCALE	NTS
		REV.	