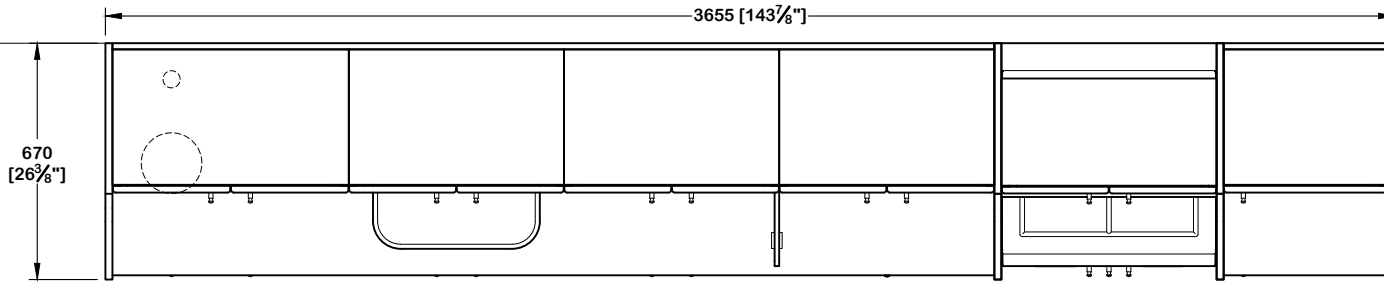
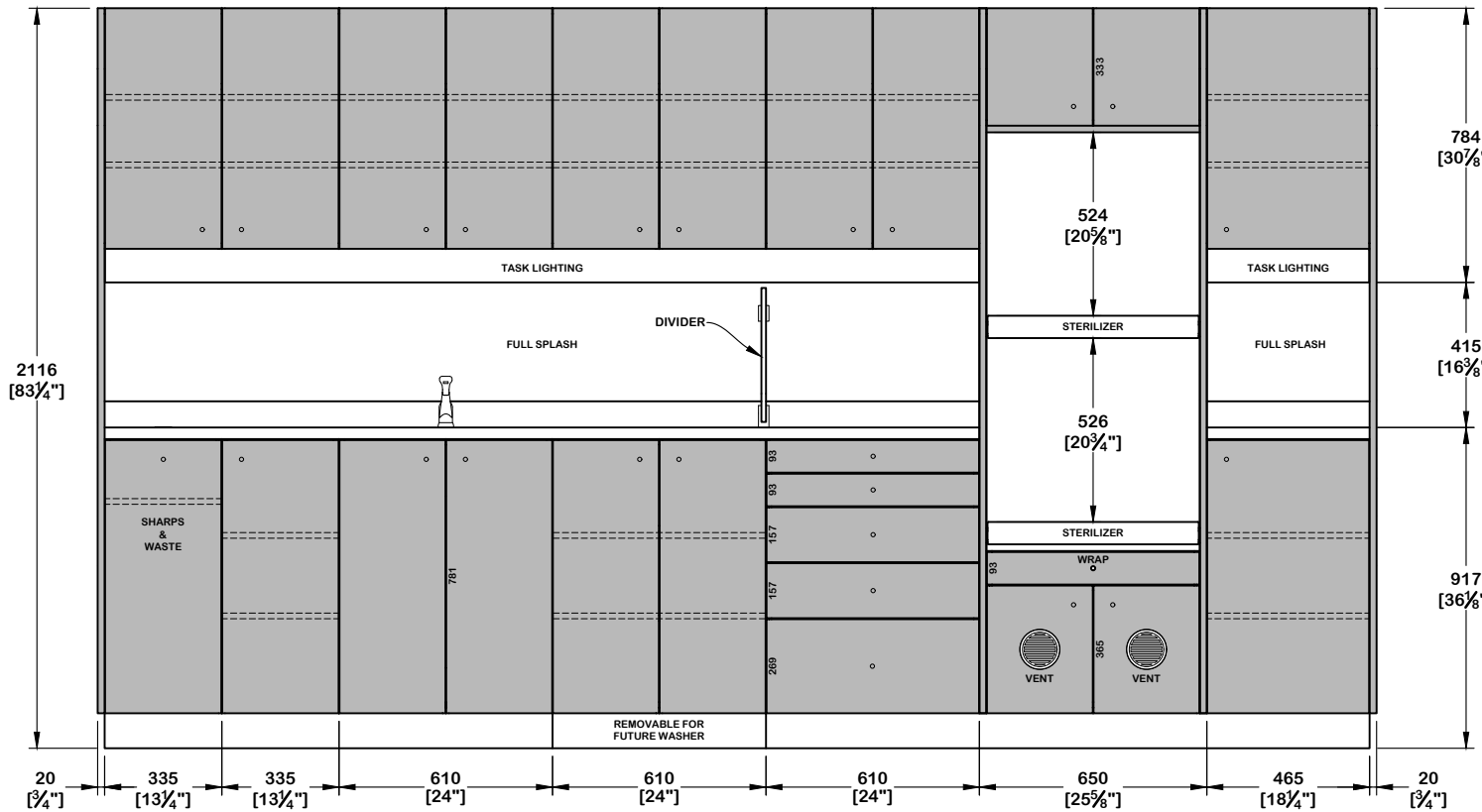
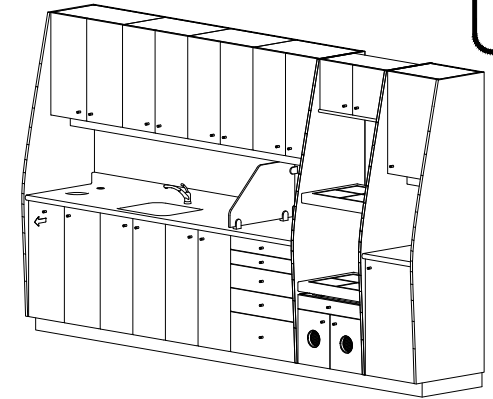


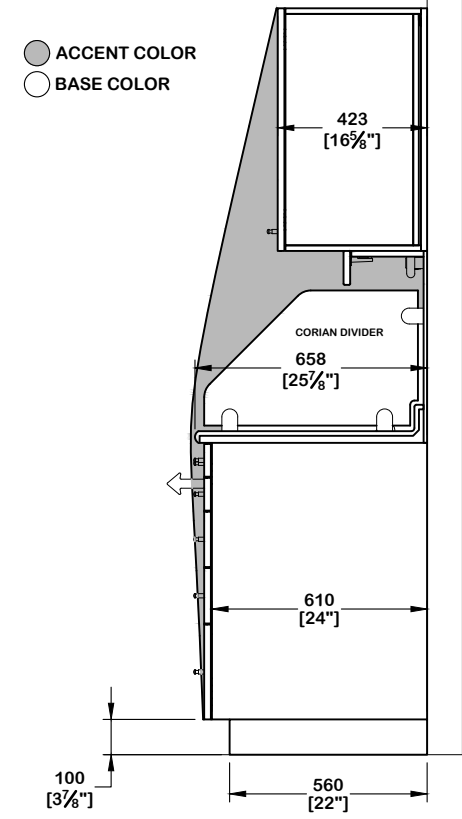
SHOWN WITH STANDARD OPTIONS. PLEASE SEE STERILIZATION CENTRE CABINET OPTION PAGE FOR NUMEROUS OTHER CONFIGURATIONS.



PLAN VIEW



FRONT ELEVATION



SECTION

● ACCENT COLOR
○ BASE COLOR

SERIES: SIGNATURE MERIDIAN
 DEPTH: 19" 23"
 COUNTER: SOLID SURFACE LAMINATE STONE COLOR: _____
 BASE COLOR: _____ ACCENT COLOR: _____
 FINISHED BACK: YES NO COLOR: _____ MONOTONE



DRAWING DETAIL		DRAWING NAME	
STERILIZATION CENTRE - 12'		SC12	
DRAWN BY	DATE	SCALE	VIEW
MLW	05-JUL-18	NTS	AS SHOWN
COPYRIGHT NOTICE			
© Copyright of Bow Wood Dental Systems Inc. All Rights Reserved. No part of this drawing may be reproduced or distributed in any form without prior written permission from Bow Wood Dental			