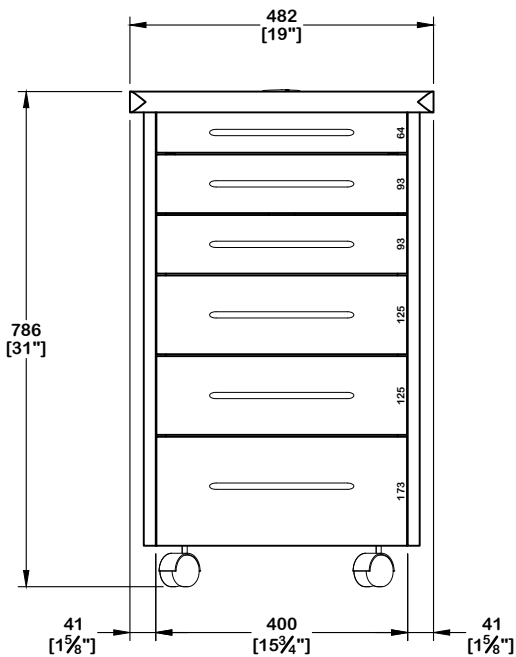
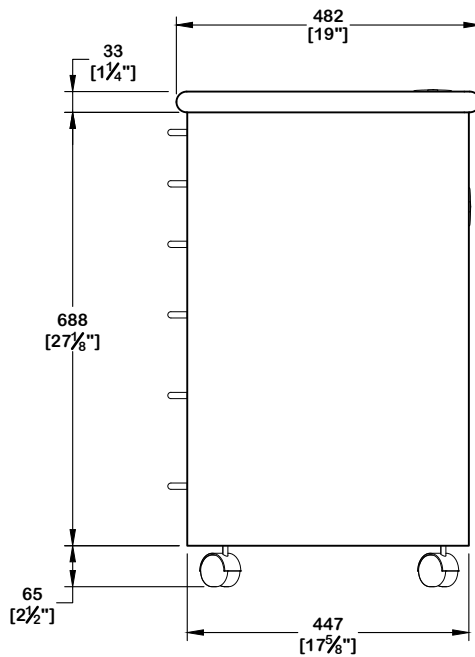


**PLAN**

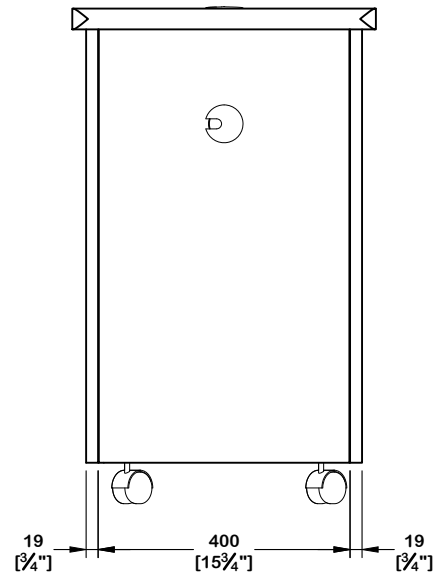


**FRONT ELEVATION**



**END ELEVATION**

○ ACCENT COLOR



**BACK ELEVATION**

SERIES:     SIGNATURE     MERIDIAN  
 DEPTH:     19"     23"  
 COUNTER:     SOLID SURFACE     LAMINATE     STONE    COLOR: \_\_\_\_\_  
 BASE COLOR: \_\_\_\_\_    ACCENT COLOR: \_\_\_\_\_  
 FINISHED BACK:     YES     NO    COLOR: \_\_\_\_\_     MONOTONE



DRAWING DETAIL		DRAWING NAME	
MOBILE CART DOCTORS STYLE		<b>MCD</b>	
DRAWN BY	DATE	SCALE	VIEW
MLW	05-JUL-18	NTS	AS SHOWN
COPYRIGHT NOTICE			
© Copyright of Bow Wood Dental Systems Inc. All Rights Reserved. No part of this drawing may be reproduced or distributed in any form without prior written permission from Bow Wood Dental			