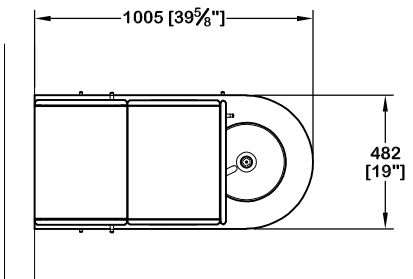
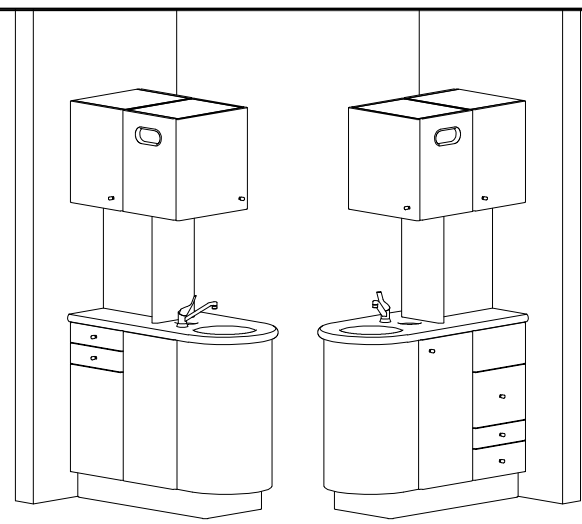


SHOWN WITH STANDARD OPTIONS. PLEASE SEE CENTRE ISLAND CABINET OPTION PAGE FOR NUMEROUS OTHER CONFIGURATIONS.

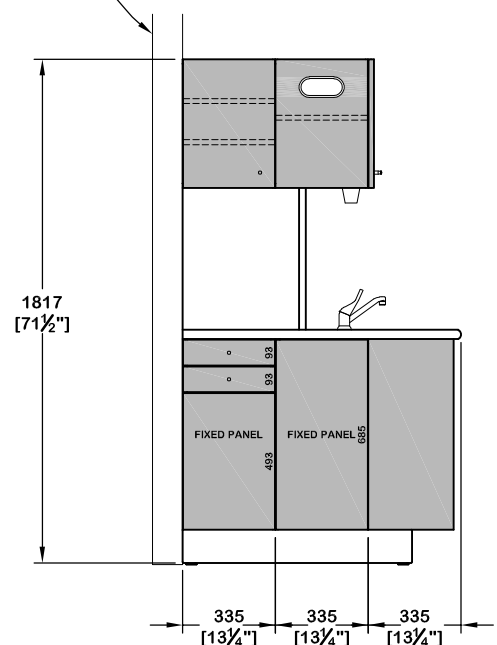


PLAN VIEW

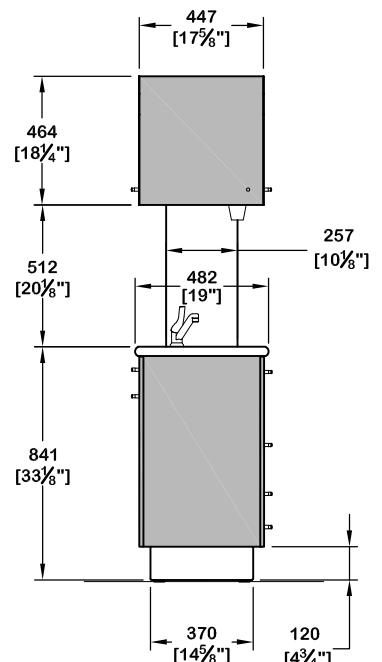


● ACCENT COLOR  
○ BASE COLOR

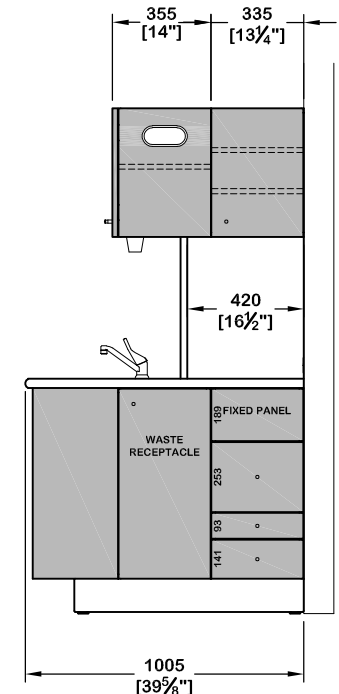
BUILDING WALL



DOCTORS SIDE



END VIEW



ASSISTANT'S SIDE

SERIES:     SIGNATURE     MERIDIAN  
 DEPTH:     19"     23"  
 COUNTER:     SOLID SURFACE     LAMINATE     STONE    COLOR: \_\_\_\_\_  
 BASE COLOR: \_\_\_\_\_    ACCENT COLOR: \_\_\_\_\_  
 FINISHED BACK:     YES     NO    COLOR: \_\_\_\_\_     MONOTONE



DRAWING DETAIL		DRAWING NAME	
CENTRE ISLAND ROUND SHORT		CIRS H	
DRAWN BY	DATE	SCALE	VIEW
MLW	05-JUL-18	NTS	AS SHOWN
COPYRIGHT NOTICE			
© Copyright of Bow Wood Dental Systems Inc. All Rights Reserved. No part of this drawing may be reproduced or distributed in any form without prior written permission from Bow Wood Dental			