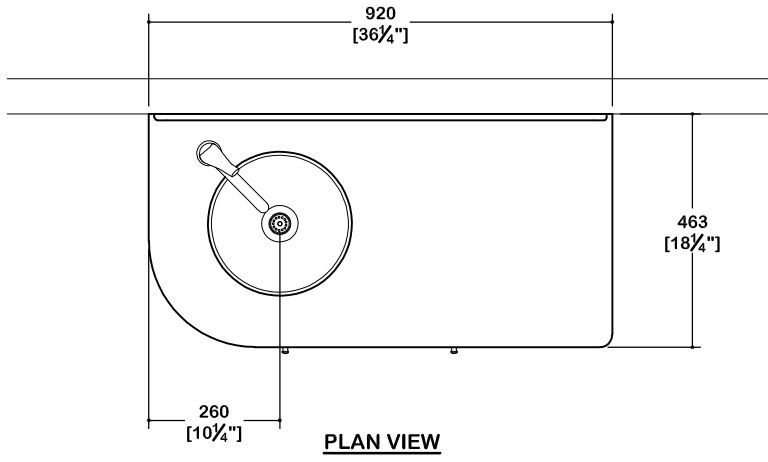
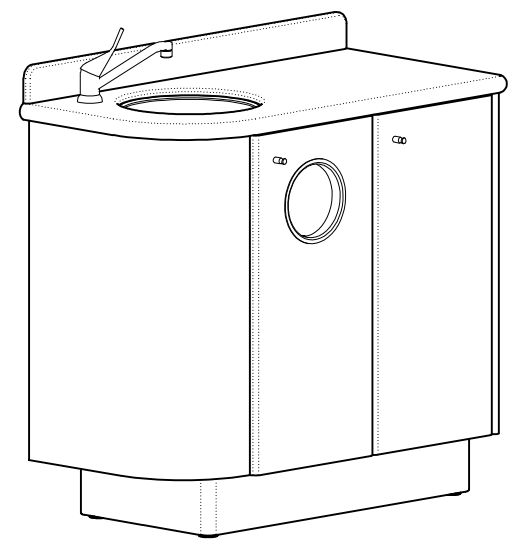


QTY



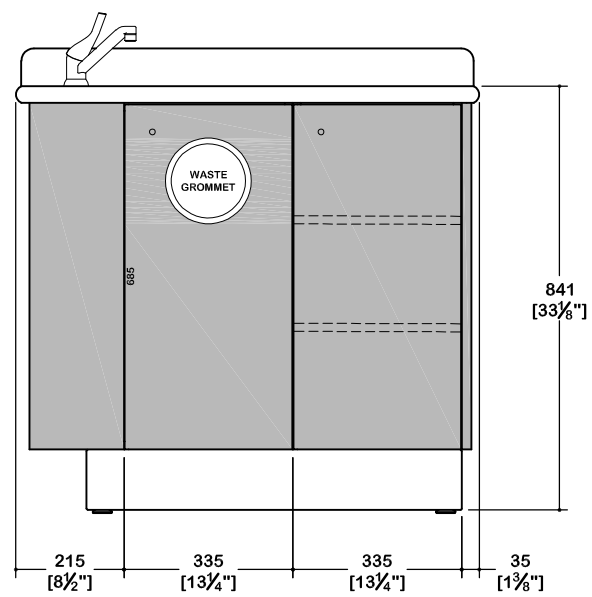
PLAN VIEW

● ACCENT COLOR
○ BASE COLOR

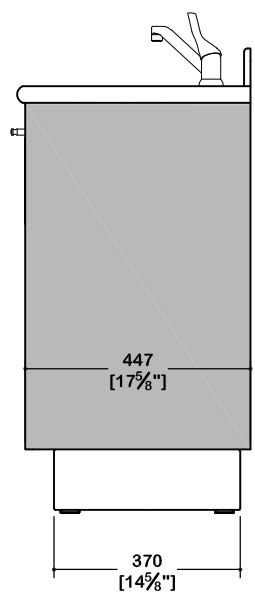


ISOMETRIC VIEW

SHOWN WITH SINK LEFT OPTION, SINK RIGHT OPTION AVAILABLE. PLEASE SEE SIDE CABINET OPTION PAGE FOR NUMEROUS CONFIGURATIONS.



FRONT VIEW



END VIEW

SERIES: SIGNATURE MERIDIAN
 DEPTH: 19" 23"
 COUNTER: SOLID SURFACE LAMINATE STONE COLOR: _____
 BASE COLOR: _____ ACCENT COLOR: _____
 FINISHED BACK: YES NO COLOR: _____ MONOTONE



DRAWING DETAIL WASH STATION ROUND SINK LEFT		DRAWING NAME WSR-L	
DRAWN BY MLW	DATE 05-JUL-18	SCALE NTS	VIEW AS SHOWN
COPYRIGHT NOTICE © Copyright of Bow Wood Dental Systems Inc. All Rights Reserved. No part of this drawing may be reproduced or distributed in any form without prior written permission from Bow Wood Dental			