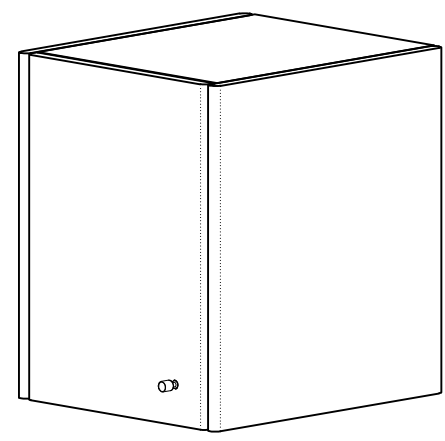
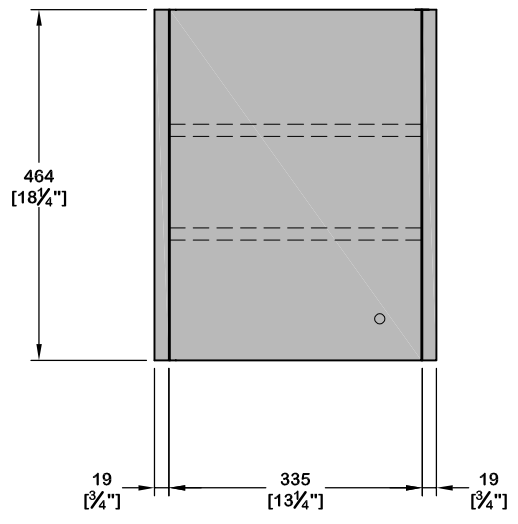


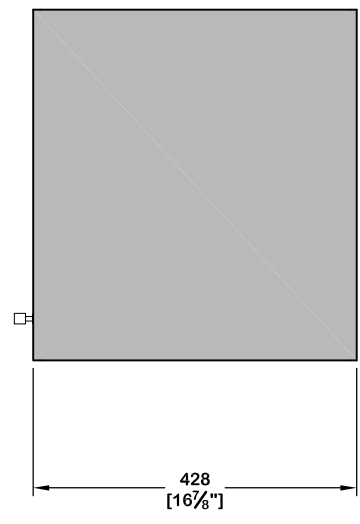
**PLAN VIEW**



● ACCENT COLOR  
○ BASE COLOR



**FRONT VIEW**



**END VIEW**

SERIES:     SIGNATURE     MERIDIAN

DEPTH:     19"     23"

COUNTER:     SOLID SURFACE     LAMINATE     STONE    COLOR: \_\_\_\_\_

BASE COLOR: \_\_\_\_\_    ACCENT COLOR: \_\_\_\_\_

FINISHED BACK:     YES     NO    COLOR: \_\_\_\_\_     MONOTONE



|   |           |              |          |
|---|-----------|--------------|----------|
| DRAWING DETAIL  |           | DRAWING NAME |          |
| STORAGE UPPER I-DOOR  |           | STU-1        |          |
| DRAWN BY  | DATE      | SCALE        | VIEW     |
| MLW   | 05-JUL-18 | NTS          | AS SHOWN |
| COPYRIGHT NOTICE  |           |              |          |
| © Copyright of Bow Wood Dental Systems Inc. All Rights Reserved. No part of this drawing may be reproduced or distributed in any form without prior written permission from Bow Wood Dental |           |              |          |