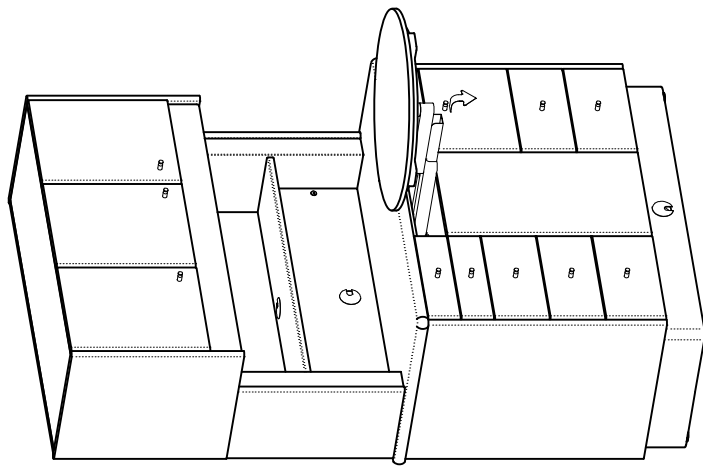
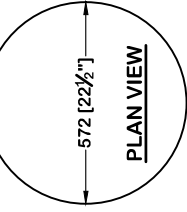
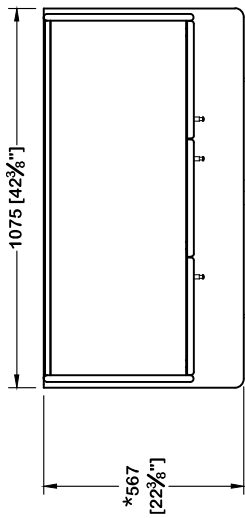


STANDARD REAR SUPPORT CONFIGURATION. SHOWN WITH WORK SURFACE OPTION '3' DUO SWING TABLE. PLEASE SEE RS-OPTION PAGES FOR NUMEROUS WORK SURFACE, HUTCH, AND BASE MODULE CONFIGURATIONS.

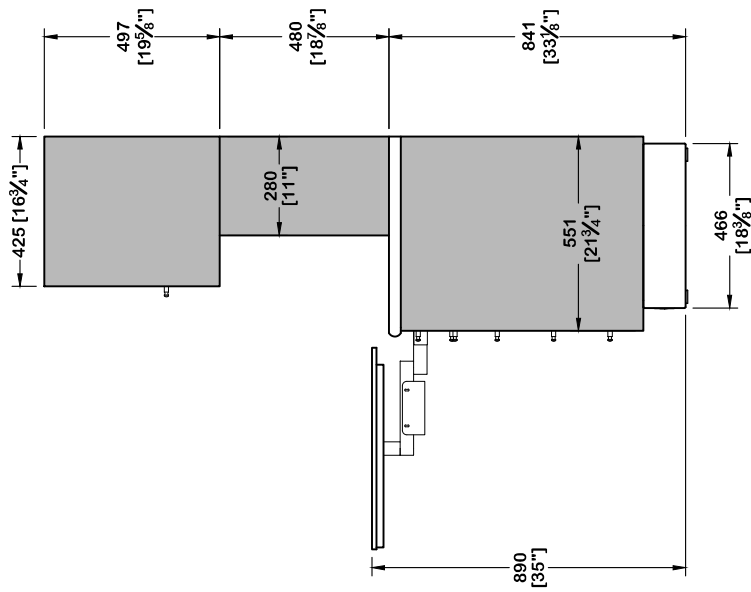


ISOMETRIC VIEW

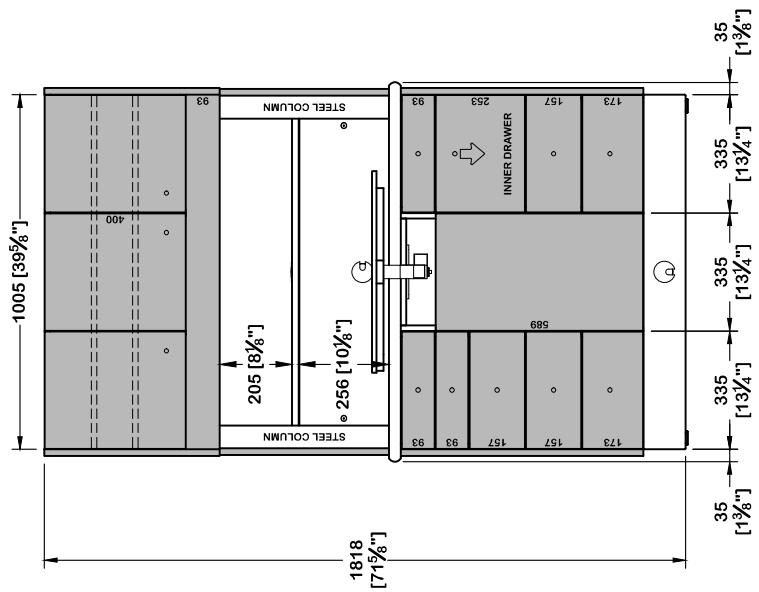
● ACCENT COLOR
○ BASE COLOR



*ALSO AVAILABLE IN 19" DEPTH



END VIEW



FRONT VIEW

Bow Wood
cabinet systems

DRAWING DETAIL: REAR SUPPORT - 23" DEEP AGAINST WALL
DRAWN BY: MLW
DATE: 05-JUL-18
SCALE: NTS
VIEW: AS SHOWN

RS-23

© Copyright of Bow Wood Dental Systems Inc. All Rights Reserved. No part of this drawing may be reproduced or distributed in any form without prior written permission from Bow Wood Dental

SERIES: SIGNATURE MERIDIAN

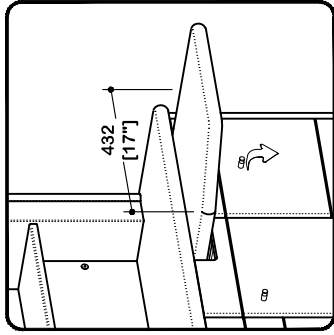
DEPTH: 19" 23"

COUNTER: SOLID SURFACE LAMINATE STONE COLOR: _____

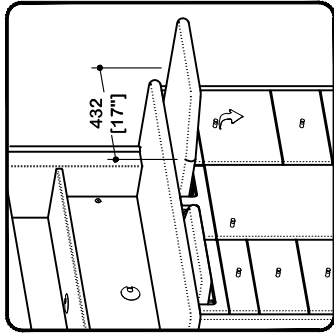
BASE COLOR: _____ ACCENT COLOR: _____

FINISHED BACK: YES NO MONOTONE

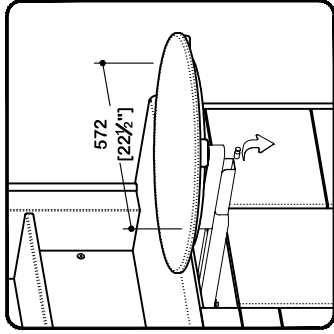
WORK SURFACE OPTIONS



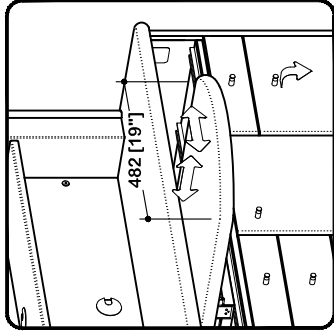
SINGLE PULLOUT
 LEFT RIGHT



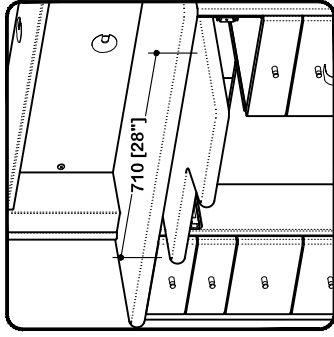
DUAL L/R SLIDING COUNTER



DUO SWING TABLE
 ROUND SQUARE

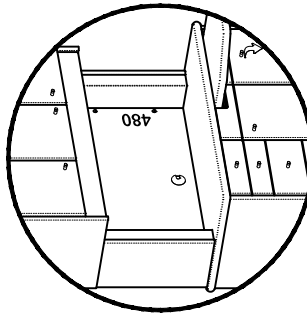


LINEAR SLIDING COUNTER

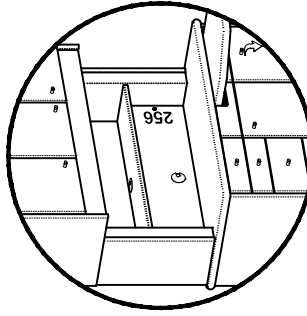


FOREST PULLOUT

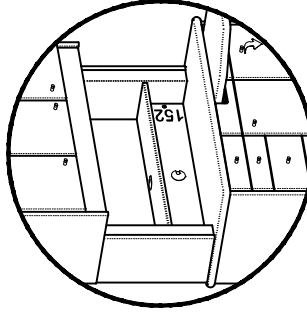
HUTCH CONFIGURATIONS



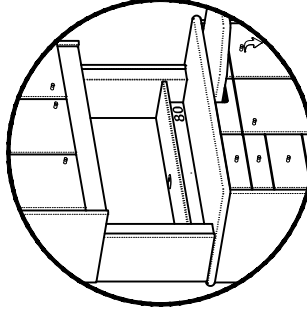
FULL SPLASH



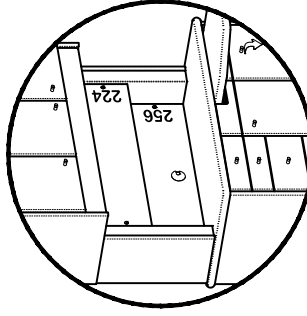
STANDARD SHELF



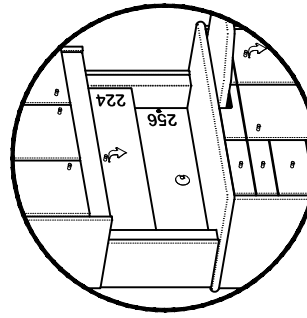
HALF HEIGHT SHELF



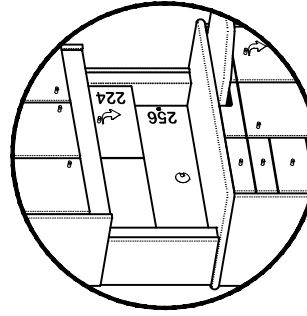
QUARTER HEIGHT SHELF



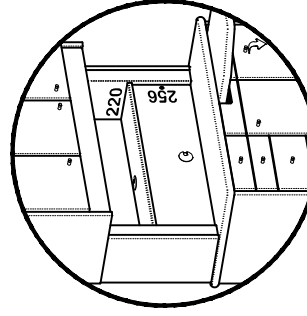
UPPER ACCESSORY PANEL



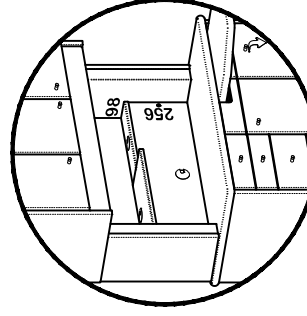
UPPER STORAGE



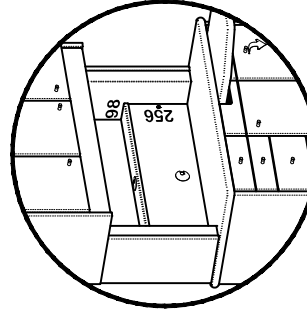
ACCESSORY / STORAGE



BASE ACCESSORY PANEL



SPLIT SHELF



SHALLOW SHELF

WORK SURFACE OPTION: _____

BASE MODULES: L: _____ C: _____ R: _____

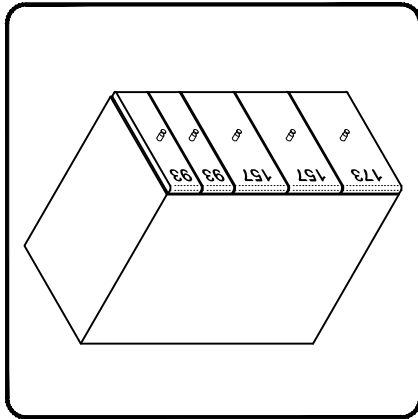
HUTCH CONFIGURATION: _____

CUSTOM NOTES: _____

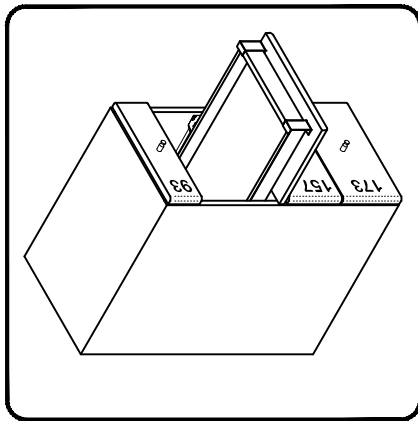


DRAWING NAME: **RS-OPT-PG1**
 REAR SUPPORT OPTIONS: **PAGE 1 OF 2**
 DRAWN BY: MLW DATE: 05-JUL-18 SCALE: NTS VIEW: AS SHOWN
 COPYRIGHT NOTICE: © Copyright of Bow Wood Dental Systems Inc. All Rights Reserved. No part of this drawing may be reproduced or distributed in any form without prior written permission from Bow Wood Dental

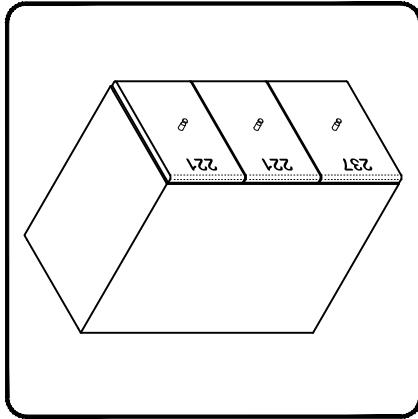
BASE MODULES
(MOST MODULES CAN BE CONVERTED TO SIDE OPENING)



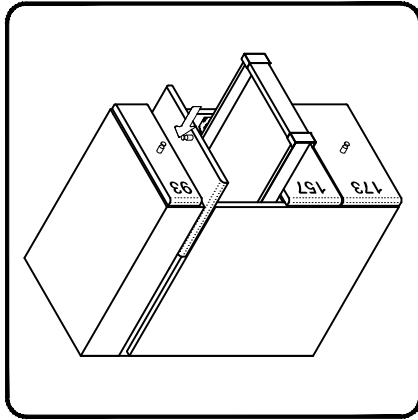
DOCTOR'S



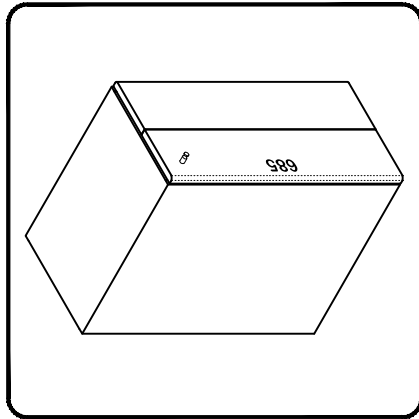
ASSISTANT'S



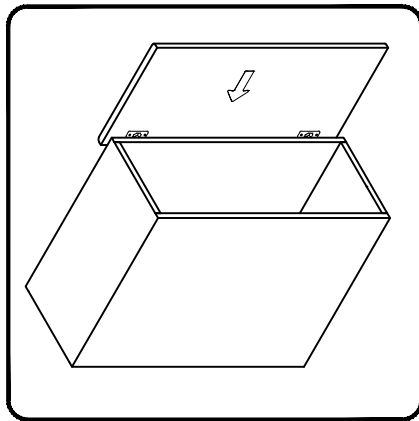
EQUIPMENT



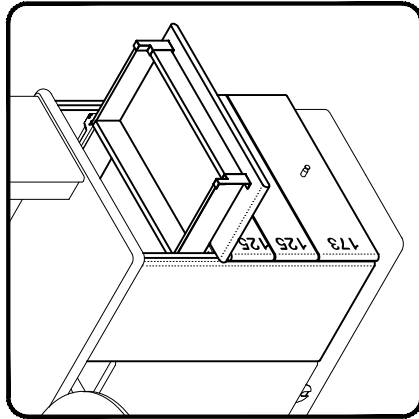
FLIP & PUSH



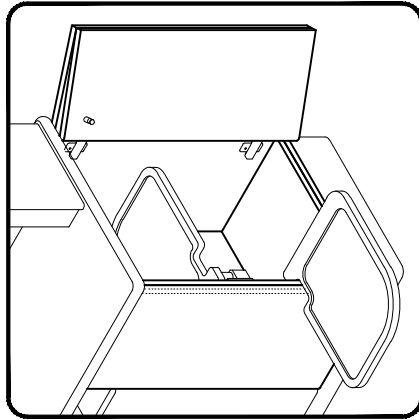
BI-FOLD



POCKET



SIDE OPENING ASSISTANT'S



SIDE OPENING SWING TRAY

WORK SURFACE OPTION: _____

BASE MODULES: L: _____ C: _____ R: _____

HUTCH CONFIGURATION: _____

CUSTOM NOTES: _____



DRAWING NAME		RS-OPT-PG2	
REAR SUPPORT OPTIONS		SCALE	VIEW
PAGE 2 OF 2		NTS	AS SHOWN
DRAWN BY	DATE	DATE	
MLW	05-JUL-18	05-JUL-18	
COPYRIGHT NOTICE			
© Copyright of Bow Wood Dental Systems Inc. All Rights Reserved. No part of this drawing may be reproduced or distributed in any form without prior written permission from Bow Wood Dental			